

**2013 Stinger 6500 Stacker
Parts Manual
S/N 657 and Older**

Index

**Other
Documents**

Unit Assy

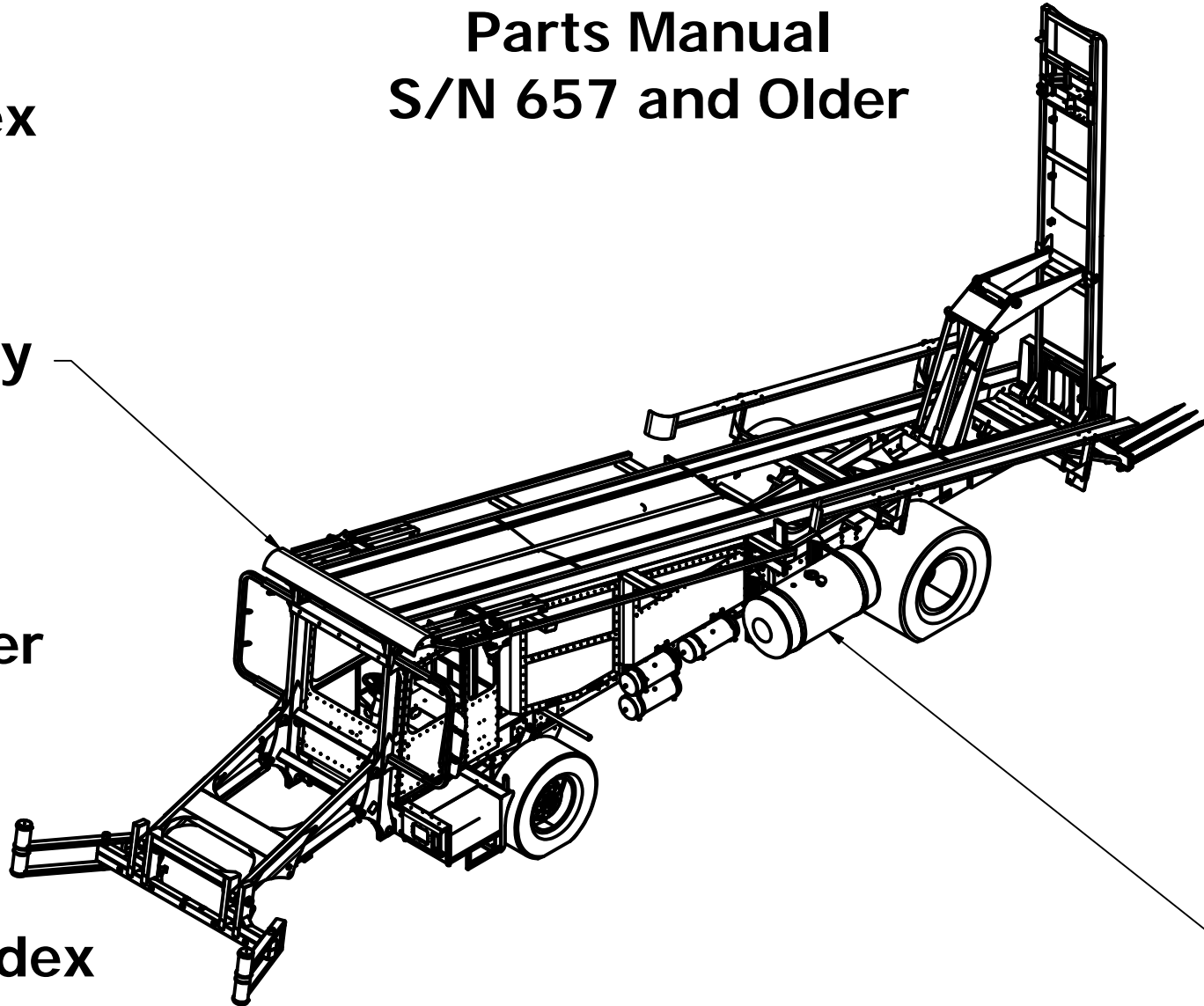
**Filters &
Fluids**

Bale Oiler

Belts

Light Index

Chassis



Other Documentation

These files will open in a new window

Back

Home

**Allison Owners
Manual**

**CCC Parts
Manual**

**Allison Service
Manual**

**CCC Service
Manual**

**Cummins
Website**

Stinger 6500 Stacker Index

Back

Home

**Control
Valves**

**Hydraulic
Cylinders**



Light index

Back

Home

**Turn Signal/Brake
Lights**

**White Lights
Incandescent**

Compartment Lights

**White Lights
LED**

Control Valves

Back

Home

Main Control Valve

(S/N 480 & Newer)

Frontend Control Valve

(S/N 480 & Newer)

Rear Control Valve

(S/N 480 & Newer)

1/4 Turn Control Valve

(S/N 480 & Newer)

Control Valves 6500

(Prior to S/N 480)

Control Valve

2400/4400

(Stackers)

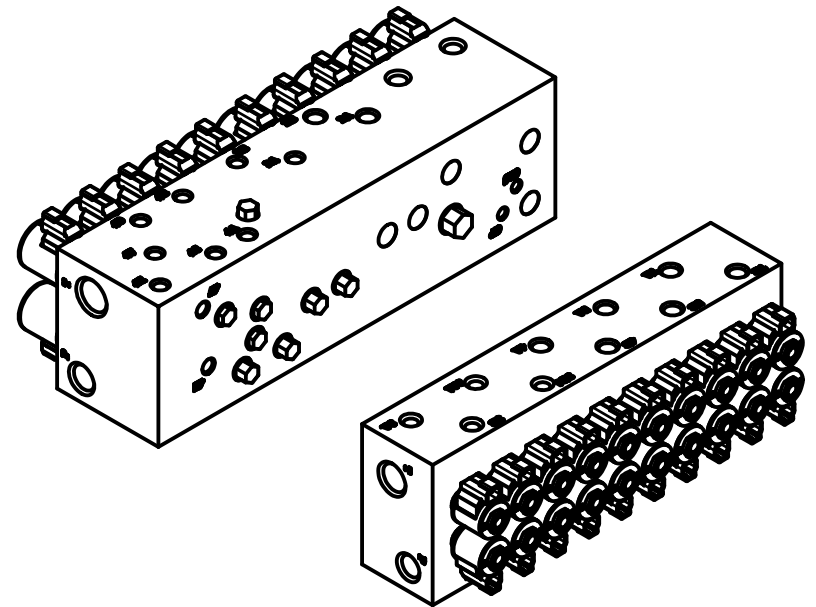
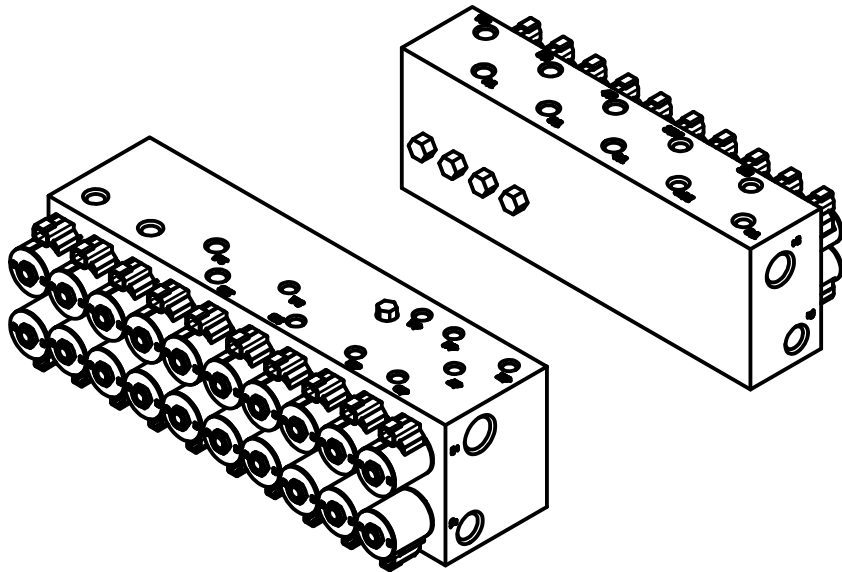
6500 Control Valves
S/N 479 & Earlier

Back

Home

**Primary Control
Valve**

**Secondary Control
Valve**



Stinger 2400/4400 Stacker

Control Valve Manifold

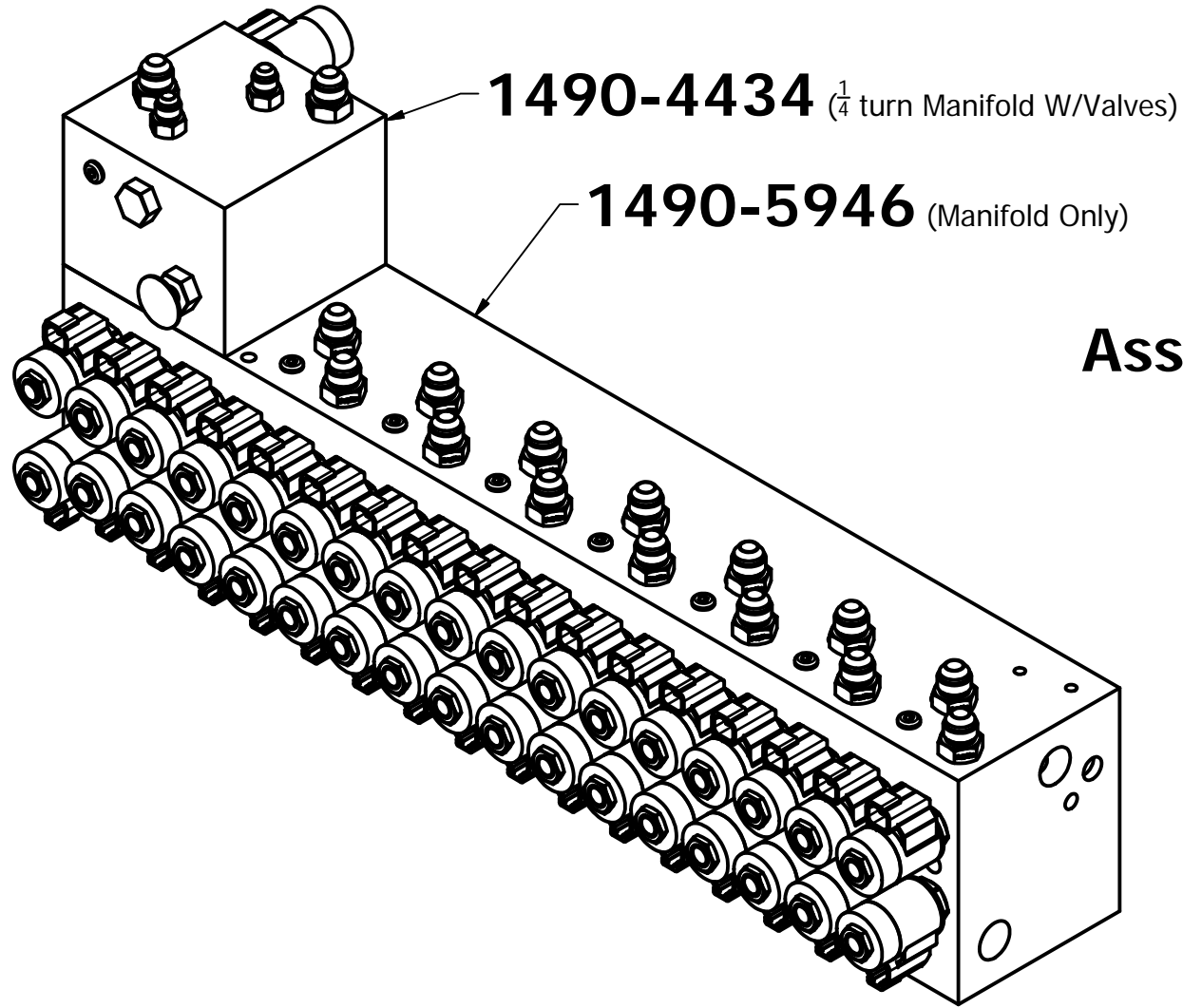
Back

Home

Valve
Types

Valve
Assignments

Function
Testing



Hydraulic Cylinder Index

[Back](#)

[Home](#)

[Front Cylinders
Index](#)

[Rear Cylinders
Index](#)

[1/4 Turn
Cylinders](#)

[Grapple
Cylinder](#)

A/C Detail Menu

Back

Home

**2013 A/C
Details**

**A/C Filter
Chart**

**2014 A/C
Details**

**A/C Expansion Valve
and Condensor Fan
Chart**

Belts

[Back](#)

[Home](#)

Fan Belts

S/N 230-309.....Cummins 3926861.....Dayco 5080725.....NAPA 25-080726.....1490-5215
S/N 310-332.....Cummins 3289686.....Dayco 5080765.....NAPA 25-080765.....1490-4641
S/N 333.....Cummins 3972262.....Dayco 5080770.....NAPA 25-080774.....1490-4645
S/N 334-340.....Cummins 3289686.....Dayco 5080765.....NAPA 25-080765.....1490-4641
S/N 341-392.....Cummins 3972262.....Dayco 5080770.....NAPA 25-080774.....1490-4645
S/N 393-479.....Cummins 3972379.....Dayco 5080895.....NAPA 25-080893.....1490-5672
S/N 480-later.....Cummins 3974248.....Dayco 5080925.....NAPA 25-080922.....1490-5985

A/C Belts

S/N 230-309.....Gates 9395.....Dayco 17395.....1490-5216
S/N 310-479.....Gates 9412.....Dayco 17410.....1490-5212
S/N 480-later.....Gates 9395.....Dayco 17395.....1490-5216

A/C Detail Menu

Back

Home

**2013 A/C
Details**

**A/C Filter
Chart**

**2014 A/C
Details**

**A/C Expansion Valve
and Condensor Fan
Chart**

Power Steering Fluids

[Back](#)

Filter part #1490-5469

(Nelson #83804E....Donaldson #P550637)

Change filter after 250 hrs and every 1000 hrs thereafter

[Home](#)

10 qts fills the system

Approved Hydraulic Fluids

Automatic Transmission Fluid Dexron II
Automatic Transmission Fluid Type "E" or "F"
Chevron 10W-40
Chevron Custom 10W-40 Motor Oil
Chevron Torque 5 Fluid
Exxon Nuto H32 Hydraulic Fluid
Fleetrite PSF (Can #990625C2)
Ford Spec. M2C138CJ
Mack EO-K2 Engine Oil

Mobil ATF 210
Mobil Super 10W-40 Motor Oil
Premium Blue 2000 - SAE 15W-40
*Shell Rotella T30W
*Shell Rotella T SAE 30
Texaco 10W-40
Texaco TL-1833 Power Steering Fluid
Union 10W-40
Union 15W-40
Unocal Guardol 15W-40 Motor Oil

The steering system should be kept filled with one of the above fluids. Fluids marked with an asterisk (*) have not been approved for use with TRW's pump.

⚠ WARNING Completely flush the steering system with one of the recommended fluids above only. Do not mix oil types. Any mixture or any unapproved oil could lead to seal deterioration and leaks. A leak could ultimately cause the loss of fluid, which could result in a loss of power steering assist.

Rear Differential Oil

[Back](#)

[Home](#)

The Rear differential uses 85/140 gear lube

It takes 39 pints to fill the system

Change oil after the first 250 hrs

and every 12 months thereafter

Hydraulic Oil

[Back](#)

[Home](#)

Hydraulic Oil Filter

S/N 230-263.....Zinga SRE-409-10.....Donaldson #P167410.....1490-1848
S/N 264-290.....Parker PAF 932630Q.....Donaldson #P170084.....1490-4843
S/N 291-307.....Zinga LE-10.....Donaldson #P550252.....1490-4607
S/N 308-later.....Donaldson #P167410.....1490-5214

Hydraulic oil should have an ISO AW-46 rating

(Approx. 73 gallons fills the system)

John Deer Hy-Guard & CIH Hy-Trans work fine

Change filter every 12 months

A/C Filters

[Back](#)

[Home](#)

A/C Fresh Air Filters (Outside)

S/N 339 & 348.....Red Dot 78R5200.....Donaldson P181054.....1490-6135
S/N 349, 352, 358-369, 371-608 & 610-657.....Red Dot 78R5320.....Donaldson P112671.....1490-5194
S/N 609, 658-later.....Aurora 436-440-0255.....1490-6328

A/C Recirculating Air Filters (Inside Paper)

S/N 339, 348 & 370.....Red Dot 78R5360.....1490-5223
S/N 349, 352, 358-369 & 371.....1490-5222
S/N 373-608 & 610-657.....Red Dot 78R5240.....1490-5615
S/N 609,658-later.....Aurora 436-440-0008.....1490-6329

A/C Secondary Air Filters (Inside Foil)

S/N 339, 348 & 370.....No Secondary Filter
S/N 349, 352, 358-369, 371-608 & 610-657.....Red Dot 78R5360.....1490-5223
S/N 609,658-later.....No Secondary Filter

Earlier Models

With Rectagular Filter (Inside Only).....1490-5203

With Sqare Filters.....Inside - 1490-5040 / Outside - 1490-5610

Transmission Oil

Back

Home

**Filter #1490-4598
(Allison #29548988.....Donaldson #P560971)**

**Transmission Oil should be Allison approved
(T.E.S. 295)**

Initial fill 32 qts, Refill 22 qts

**Change the filter at 200 hrs then
Change Oil/Filter every 500 hrs for non-synthetic
Change Oil/Filter every 3000 hrs for synthetic**

**List of T.E.S. 295 Approved
Transmission Oils**

T. E. S. 295 Approved Transmission Oils

[Back](#)

[Home](#)

Marketer	Brandname
Castrol	Transynd
BP Lube	Autran Syn 295
Cognis	Emgard 2805
International	Fleetrite Synthetic ATF
ExxonMobile	Delvac Sybthetic ATF
John Deere	HD SynTran
Volvo	Bulldog Synthetic ATF

Engine Oil/Air Filters

[Back](#)

[Home](#)

Oil filters

S/N 230-332.....Fleetguard LF3000.....Donaldson P553000.....1490-5208
S/N 333.....Fleetguard LF9009.....Donaldson P553000.....1490-5208
S/N 334-340.....Fleetguard LF3000.....Donaldson P553000.....1490-5208
S/N 241-Later....Fleetguard LF9009.....Donaldson P553000.....1490-5208

Oil Change 24 qts
Change oil/filter every 500 hrs

Air filters

S/N 230-296.....Donaldson P181046.....1490-5213
S/N 270-550.....Donaldson P777868.....1490-4686
and.....Donaldson P777869.....1490-4687
S/N 551-later.....Parker 500375001.....1490-6195
and.....Parker 500275001.....1490-6196

Fuel/Water Filters

Fuel Filters

[Back](#)

[Home](#)

S/N 230-332.....Fleetguard FS1280.....Donaldson P551329.....1490-4791
and.....Fleetguard FS1251.....Donaldson P550248.....1490-4792
S/N 333.....Fleetguard FS1022.....Donaldson P551122.....1490-5209
S/N 334-340.....Fleetguard FS1280.....Donaldson P551329.....1490-4791
and.....Fleetguard FS1251.....Donaldson P550248.....1490-4792
S/N 341-392.....Fleetguard FS1022.....Donaldson P551122.....1490-5209
S/N 393-430.....Fleetguard FS5580.....Donaldson P550774.....1490-5670
and.....Fleetguard FS1003.....Donaldson P551103.....1490-5671
S/N 431-later.....Fleetguard FS5580.....Donaldson P550774.....1490-5670
and.....Fleetguard FS19732.....Donaldson P550848.....1490-5799

Water Filters

S/N 230-332.....Fleetguard WF2070.....Donaldson P552071.....1490-4790
S/N 333.....Fleetguard WF2073.....Donaldson P552073.....1490-5310
S/N 334-340.....Fleetguard WF2070.....Donaldson P552071.....1490-4790
S/N 341-392.....Fleetguard FS5580.....Donaldson P550774.....1490-5770
S/N 393-later.....N/A.....

Filter Index

Back

Home

Transmission

A/C Filters

Engine Oil/Air

Power Steering

Hyd Oil Filters

Fuel/Water Filters

Rear Cylinder Index

Back

Home

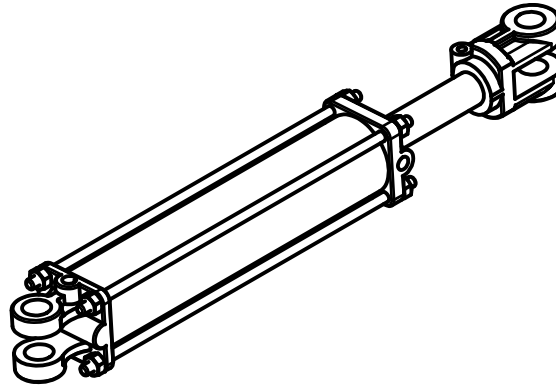
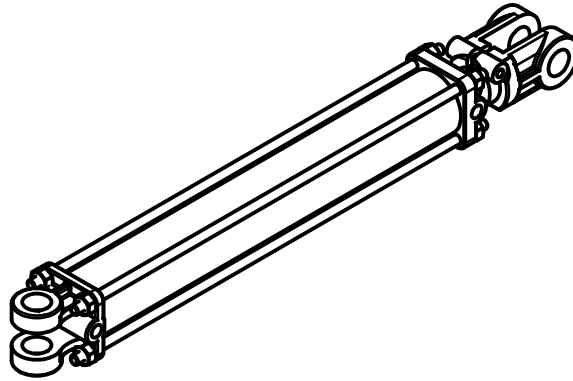
Hoist

Tailgate

Stackdown

**Squeeze
Rail**

Bale Stop

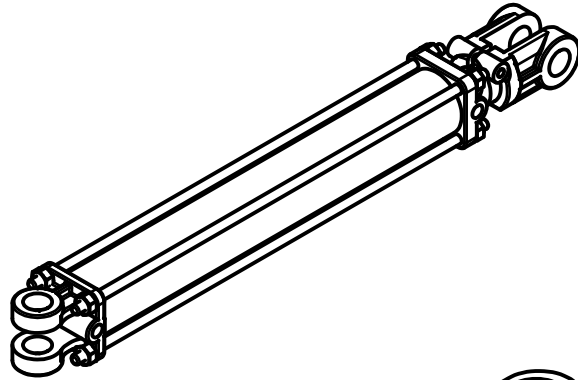


Front Cylinder Index

Back

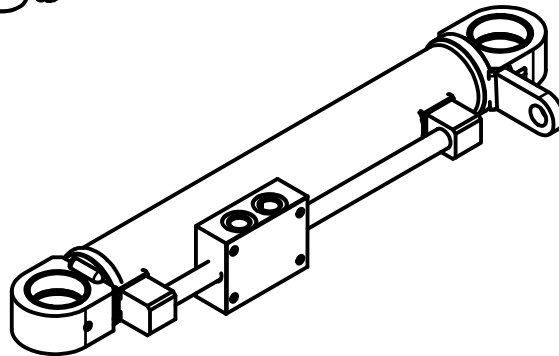
Home

Front Sqz



1/4 Turn

Front Tilt W/Sensor



Front Lift W/Sensor

Front Tilt

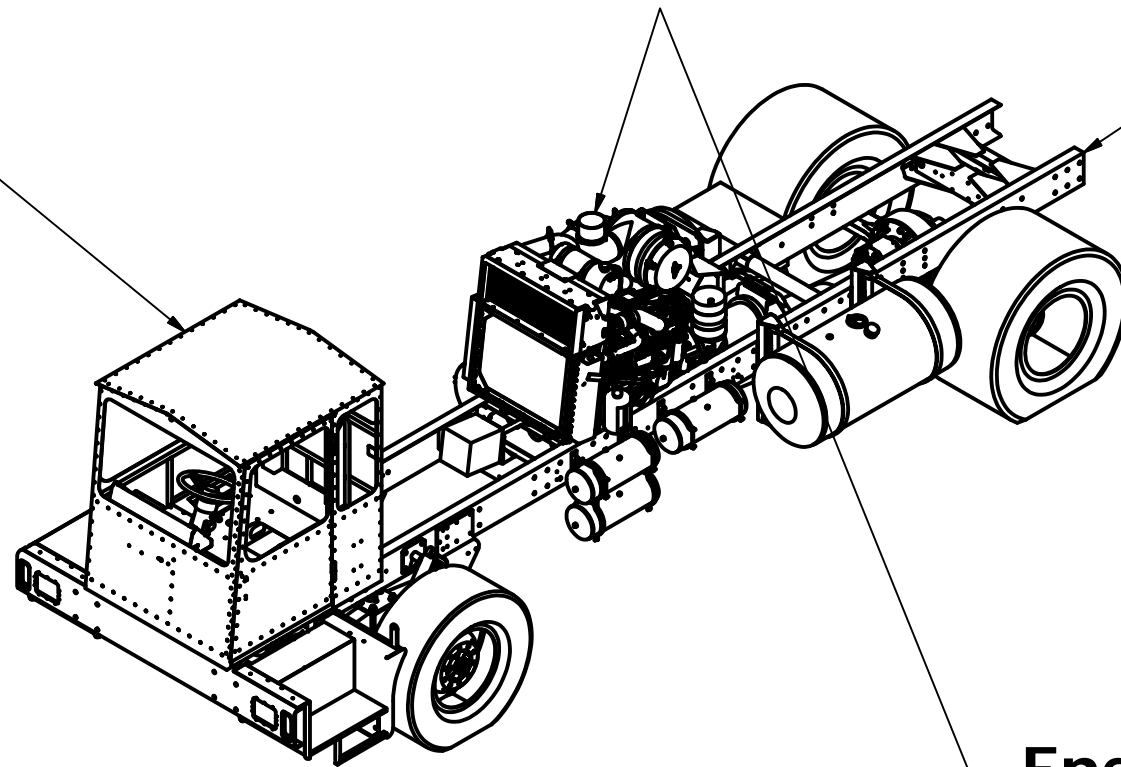
Front Lift

CCC LE Hayloader Chassis

Back

Home

Cab



Chassis

Engine, Pump, &
Transmission

2013 Chassis Detail

Back

Home

Front Axle

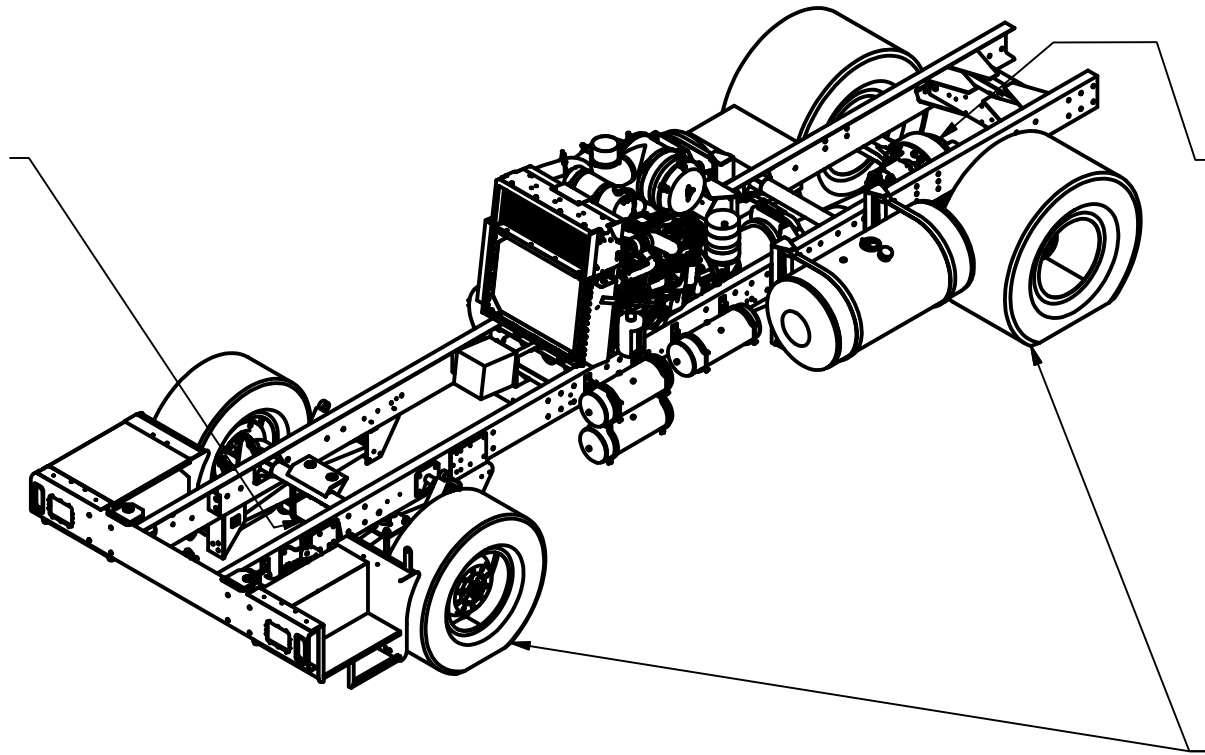
Rear Axle

Poly Wear
Pad Kits

Brake
Shoes

Leaf
Springs

Wheels &
Tires



2013 & Older Cab Elements

Back

Home

Joystick

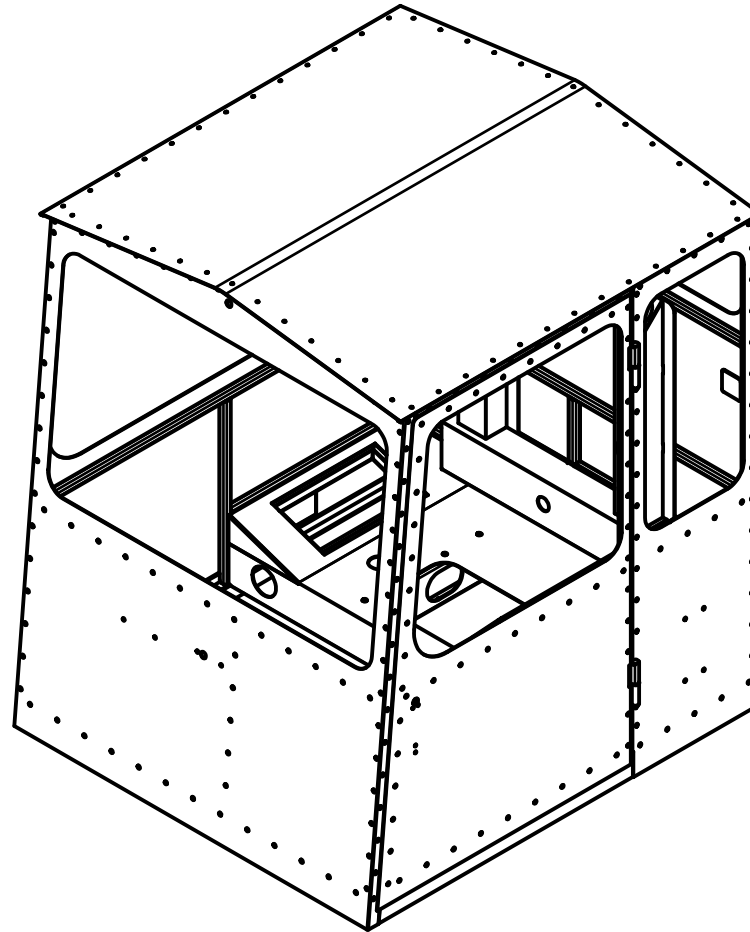
Glass

Heating & A/C

Seat

Transmission
Shifter

More



Engine & Transmission & Pump Components

Back

Home

Electrical

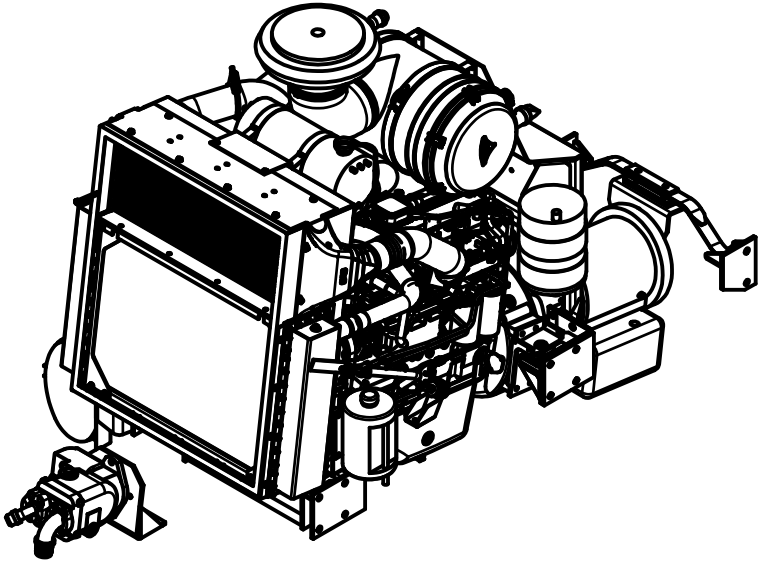
Transmission

Filters

**Cooling
System**

Exhaust

**Hydraulic
Pump**



Leaf Springs, Parts, & Hangars

Back

Front Axle

11 Leaf Stack

4 Leaf Stack

Hangars

Home

Rear Axle

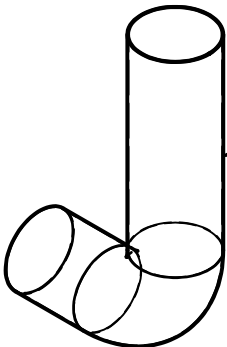
11 Leaf Stack

Hangars

Engine Exhaust

[Back](#)

[Home](#)



Turbo Exhaust Elbow Part #1490-6233



Exhaust V-Band Clamp Part #1490-5982



Turbo Exhaust Adapter Part #1490-6140

Engine Electrical

[Back](#)

[Home](#)

150 Amp Buzzanator Part #1490-4040

Main Disconnect Switch Part #1490-4911

Batteries are Group 31 (995 Cold Cranking Amps)



Engine Cooling System

[Back](#)

[Home](#)

Recovery Tank (Plastic Tank Only no Sight Tube) **Part #1490-4626**

Recovery Tank Assy (Tank W/Mounts & Sight Tube) **Part #1490-4562**

Cap for the Recovery Tank **Part #1490-4626**

Sight Glass for the Surge Tank (Metal Tank) **Part #1490-5393**

Coolant should be replaced every 2000 hrs with a 50/50 mixture (50qts)

Transmission Components

Back

Home

6-Speed Gen. 3 Shifter Part #1490-5284

(wiring pigtail)

6-Speed Gen. 4 Shifter Part #1490-5295

(Current production No Pigtail)

**Detent Spring for Shifter
Part #1490-5332**

(Used on Gen 3 & Gen 4 Shifters)

**Joystick
Control**

Hydraulic Pump Components

[Back](#)

[Home](#)

[PVG 100 Pump Part #1490-4132](#)

[Pump Seal Kit Part #1490-5480](#)

[Pump Drive Shaft Part #1490-5532](#)

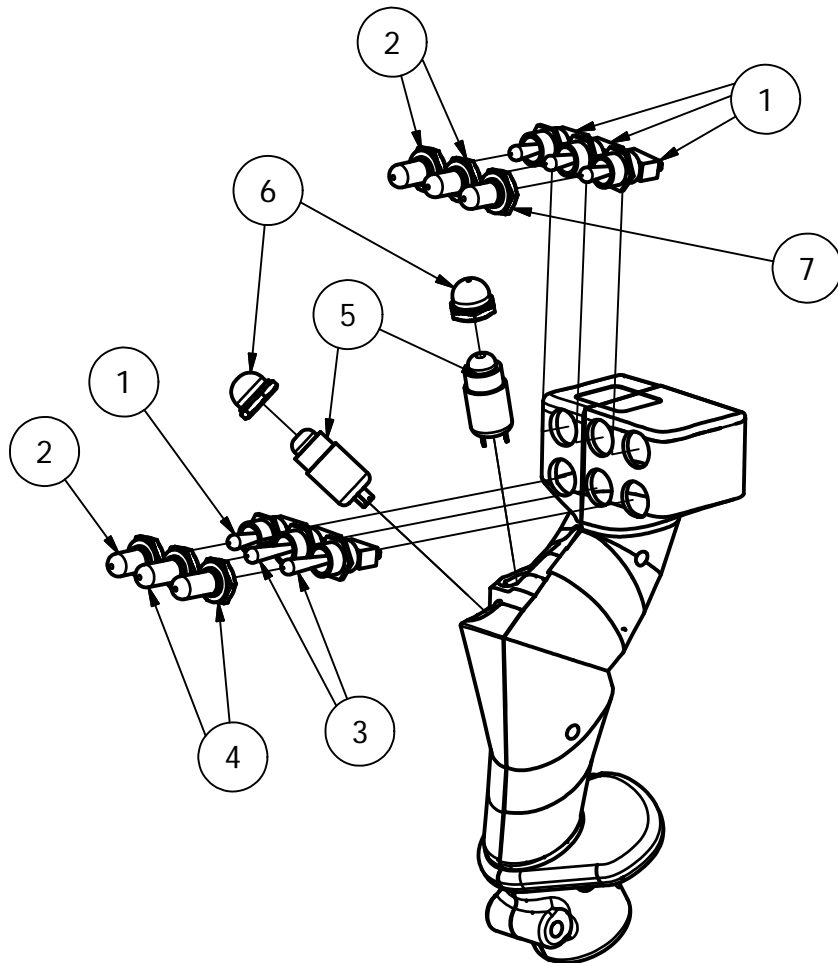
[1350 Pump Drive U-Joint Part #1490-5326](#)

[1350 Pump Drive Engine Flange Yoke Part #1490-6390](#)

Joystick Controller Part # 1490-4802 Complete

Back

Home



PARTS LIST			
ITEM	QTY	PART NUMBER	DESCRIPTION
1	4	1490-3452	Short Toggle Switch W/Leads
2	3	1490-2062	Short Toggle Boot Black
3	2	1490-1196	Tall Toggle Switch W/Leads
4	2	1490-2060	Tall Toggle Boot Black
5	2	1490-4491	Push Button Switch w/leads & Boot
6	2	1490-2061	Red Pushbutton Boot
7	1	1490-5270	Short Toggle Boot White

Seat Components

Back

**Standard SST Hi-Back Seat
W/ TLV Air Suspension
Part # 1490-5880**

Home

**Adjustable Shock W/Control
Cable
Part # 1490-5949**

**Non-adjustable Shock
W/Bushings
Part # 1490-5948**

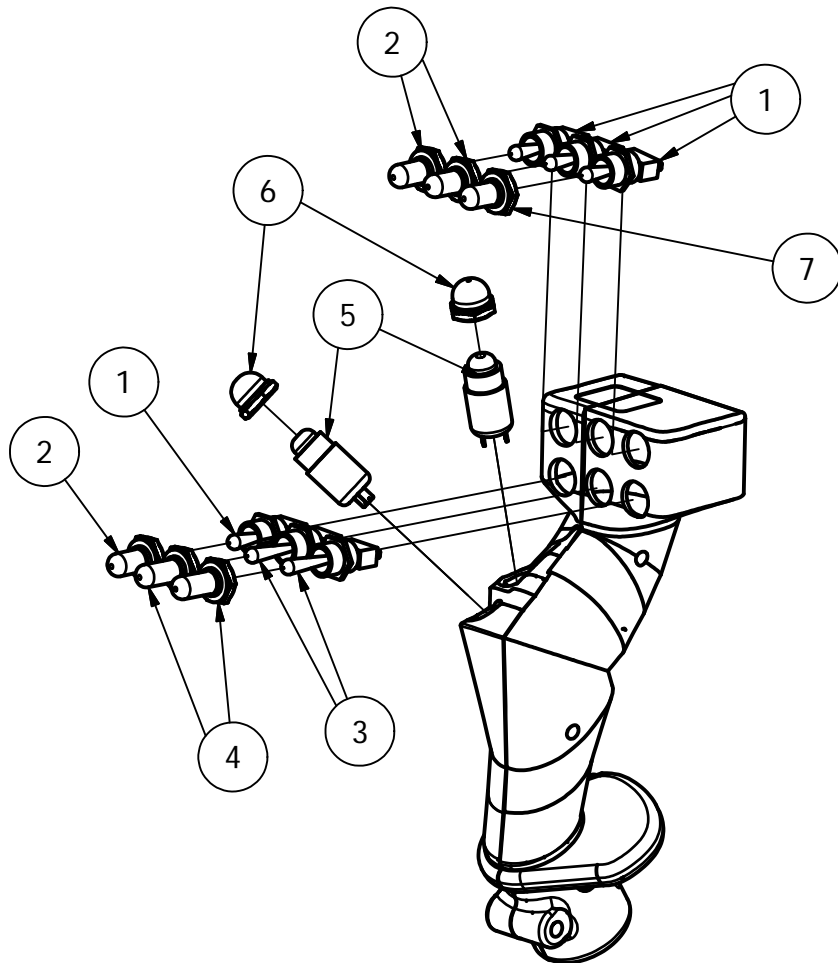
**Seat Air Pump W/Brass Fittings
Part # 1490-5991**

**Non-adjustable Shock Only
Part # 1490-5852**

Joystick Controller Part # 1490-4802 Complete

Back

Home



PARTS LIST			
ITEM	QTY	PART NUMBER	DESCRIPTION
1	4	1490-3452	Short Toggle Switch W/Leads
2	3	1490-2062	Short Toggle Boot Black
3	2	1490-1196	Tall Toggle Switch W/Leads
4	2	1490-2060	Tall Toggle Boot Black
5	2	1490-4491	Push Button Switch w/leads & Boot
6	2	1490-2061	Red Pushbutton Boot
7	1	1490-5270	Short Toggle Boot White

Stinger 6500 Stacker

(Unit Assembly)

Back

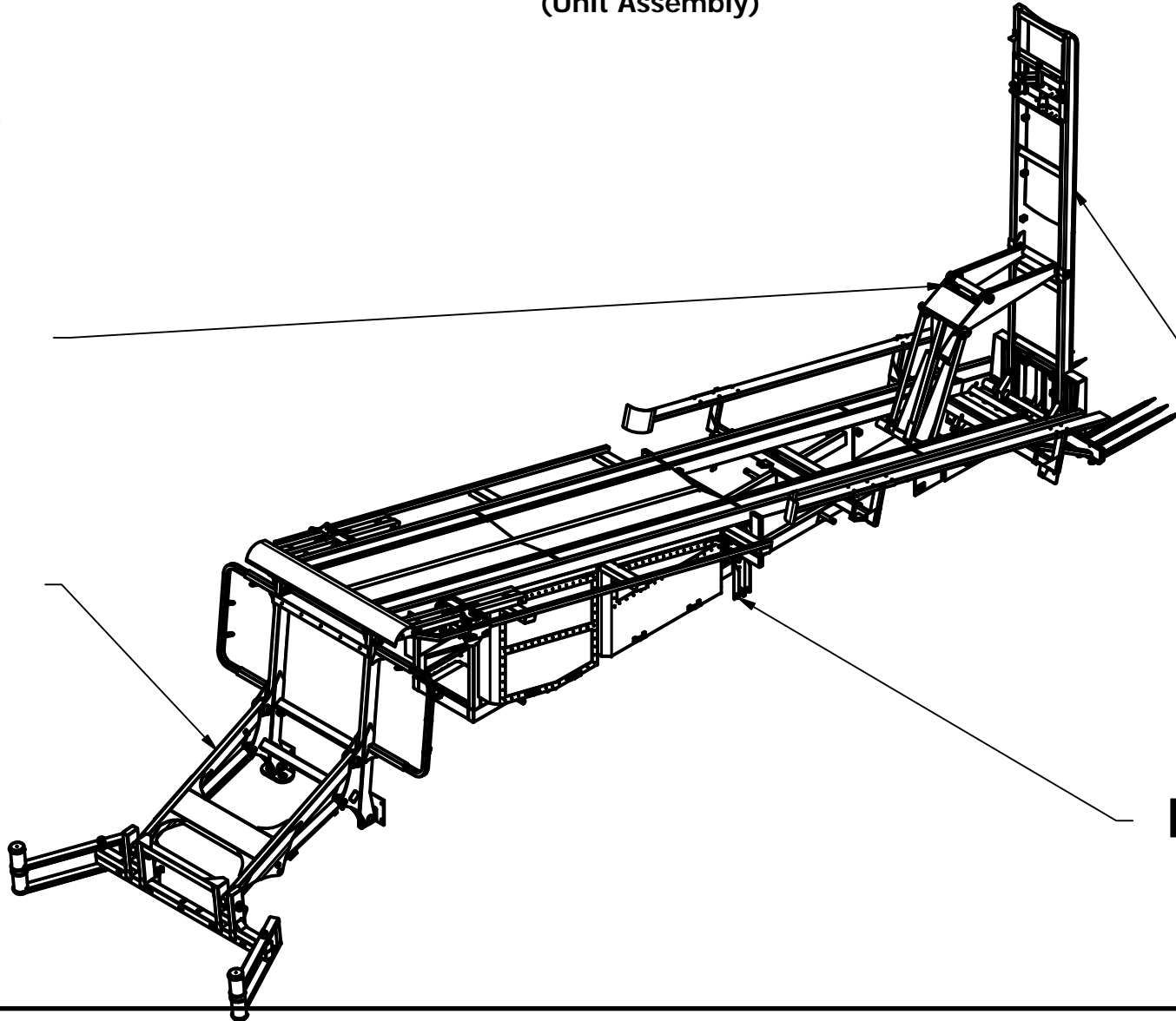
Home

Hoist

Stack
Frame

Front End

Main Slide



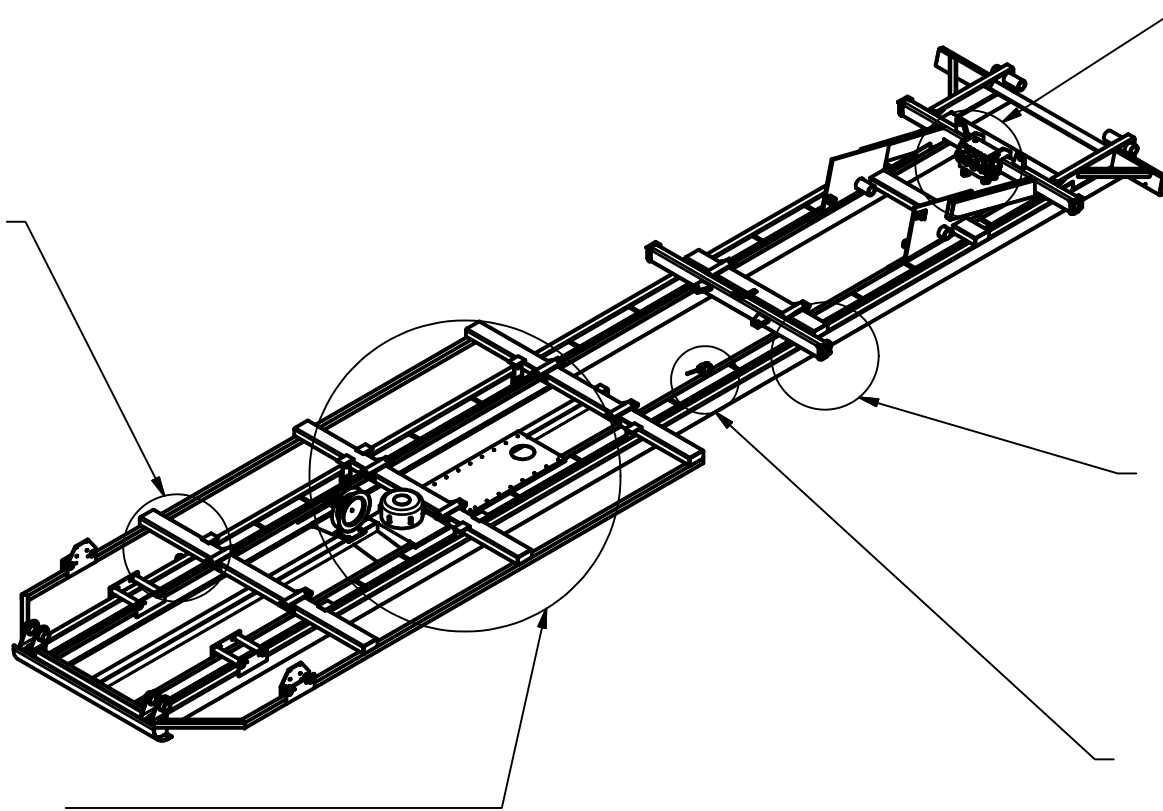
Main Slide Detail

Back

Home

1/4 Turn
Micro-Switch

Rear Control
Valve



Squeeze
Rail Poly

Air Chamber
Detail

StackFrame
Micro-Switch

Main Slide Assembly

(Stacking Unit)

Back

Home

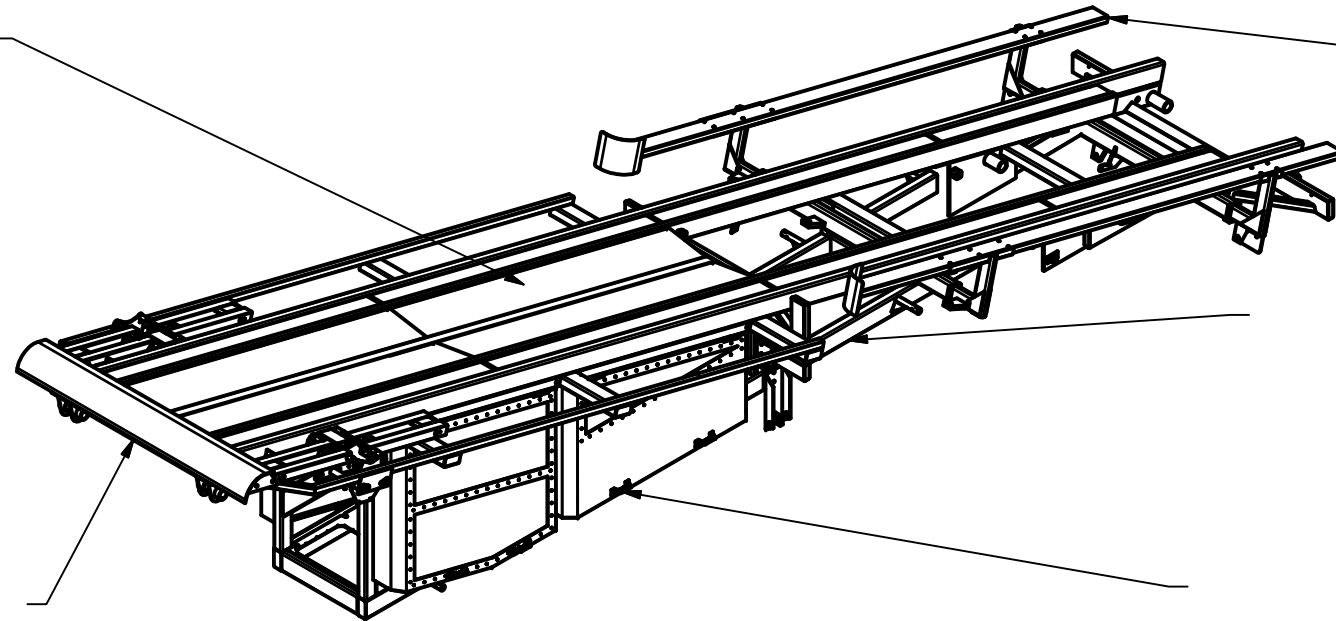
Main Slide

Squeeze
Rails

Subframes

1/4 Turn

Doors



Squeeze Frontend

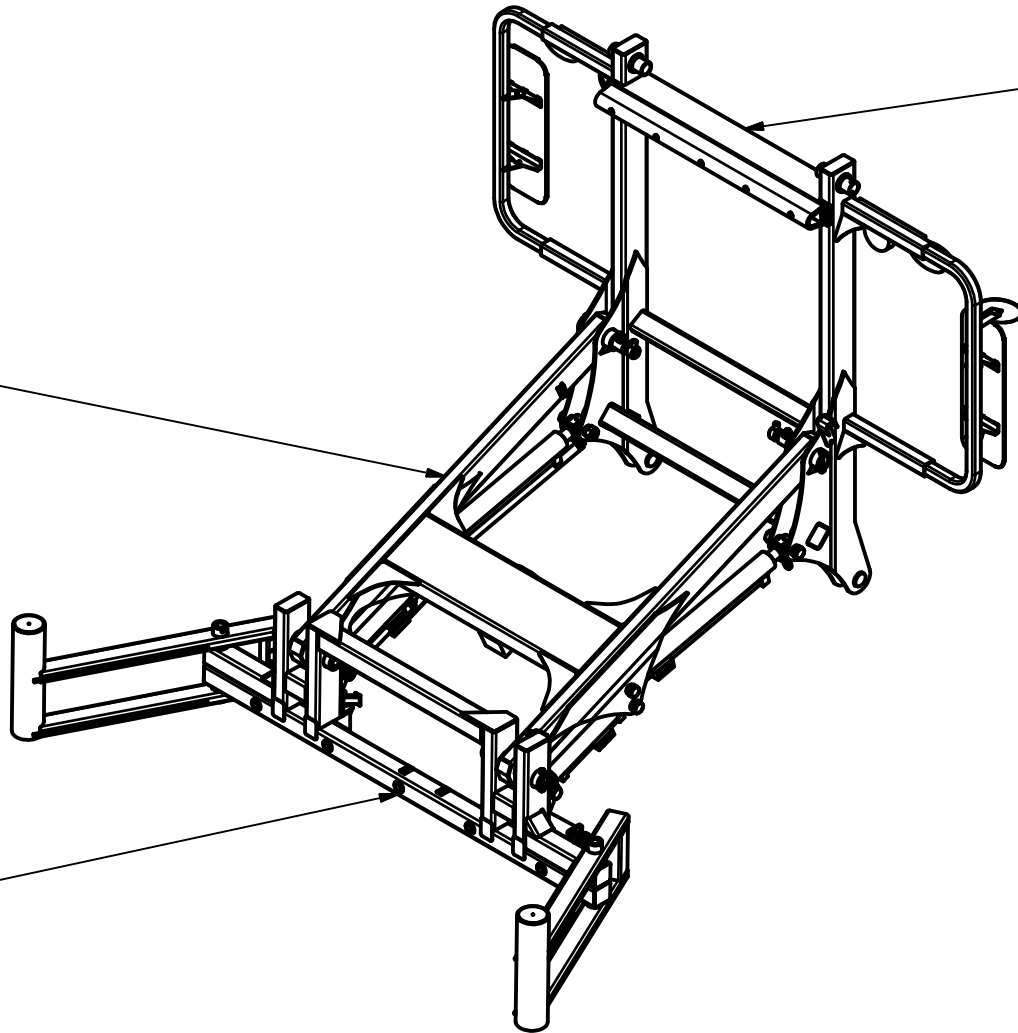
Back

Home

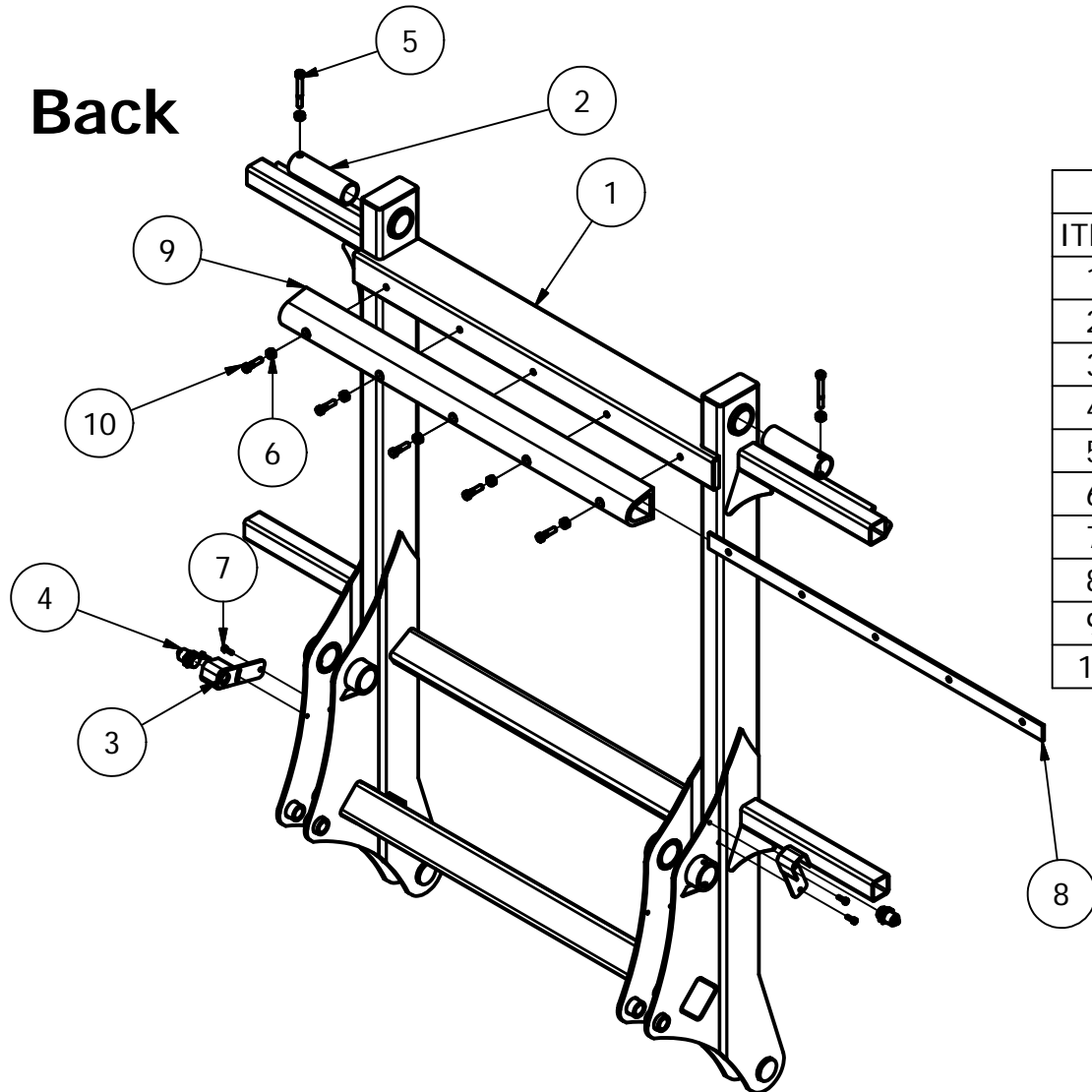
Lift Arm

Lift Frame

Tilt Frame



Lift Frame Assy



Home

Back

PARTS LIST			
ITEM	QTY	PART NUMBER	DESCRIPTION
1	1	5540A	Front Lift Frame
2	2	5540-118	Lift Frame Upper Pivot Shaft
3	2	1400-122	Shielded Prox Switch Mount
4	2	1490-5667	Prox Switch W/QD at switch
5	2	1/2-13 X 4	Hex Bolt
6	7	1/2-13 Nut	Hex Nut
7	4	5/16-18 X 1	Hex Bolt
8	1	5540-109	Rubber Bumper Strap
9	1	1490-5338	Rubber Bumper
10	5	1/2-13 X 2	Hex Bolt

Prox Wire 1490-5668

Lift Frame Assy

Back

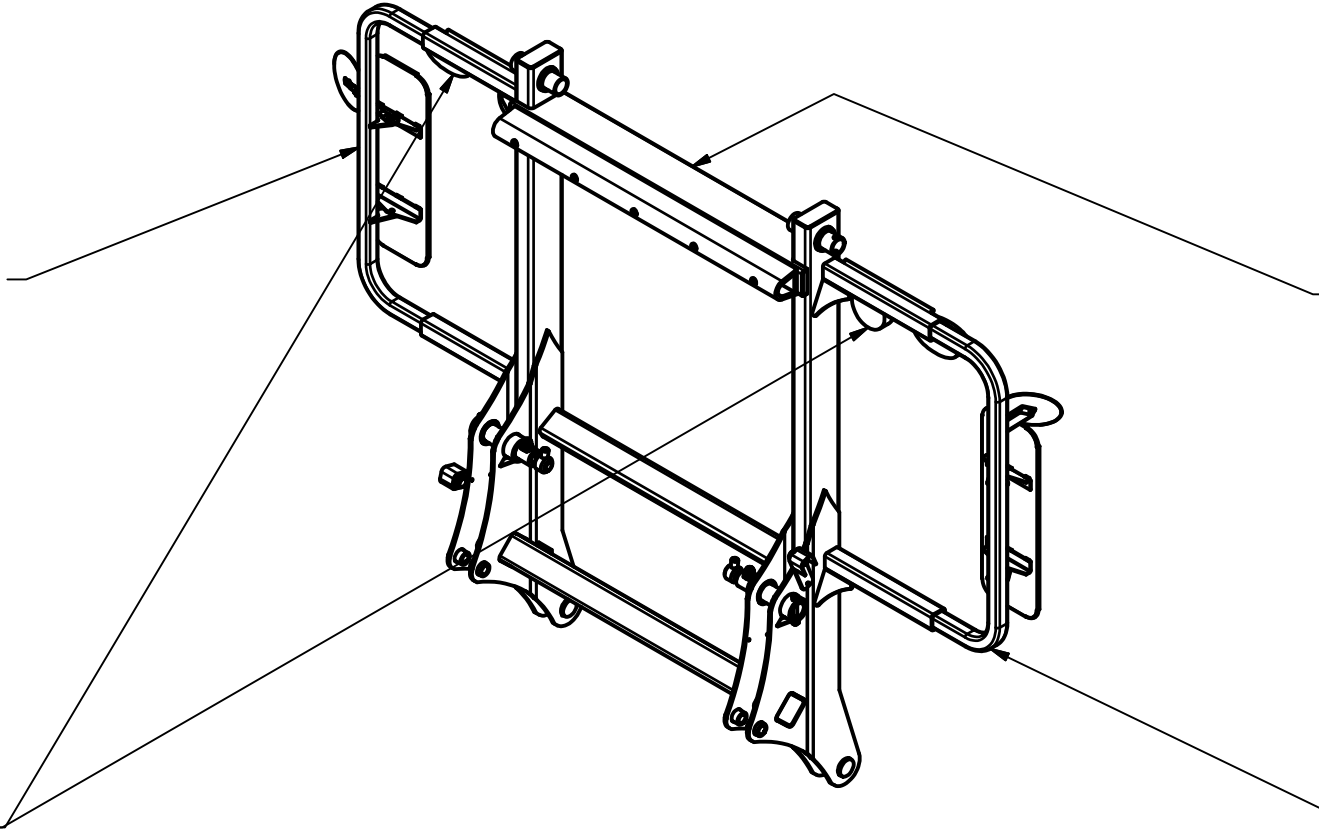
Home

RH Mirror

Lift Frame

Lights

LH Mirror



Lift Arm Assy

Back

Home

Lift Cyl.
W/ Sensor

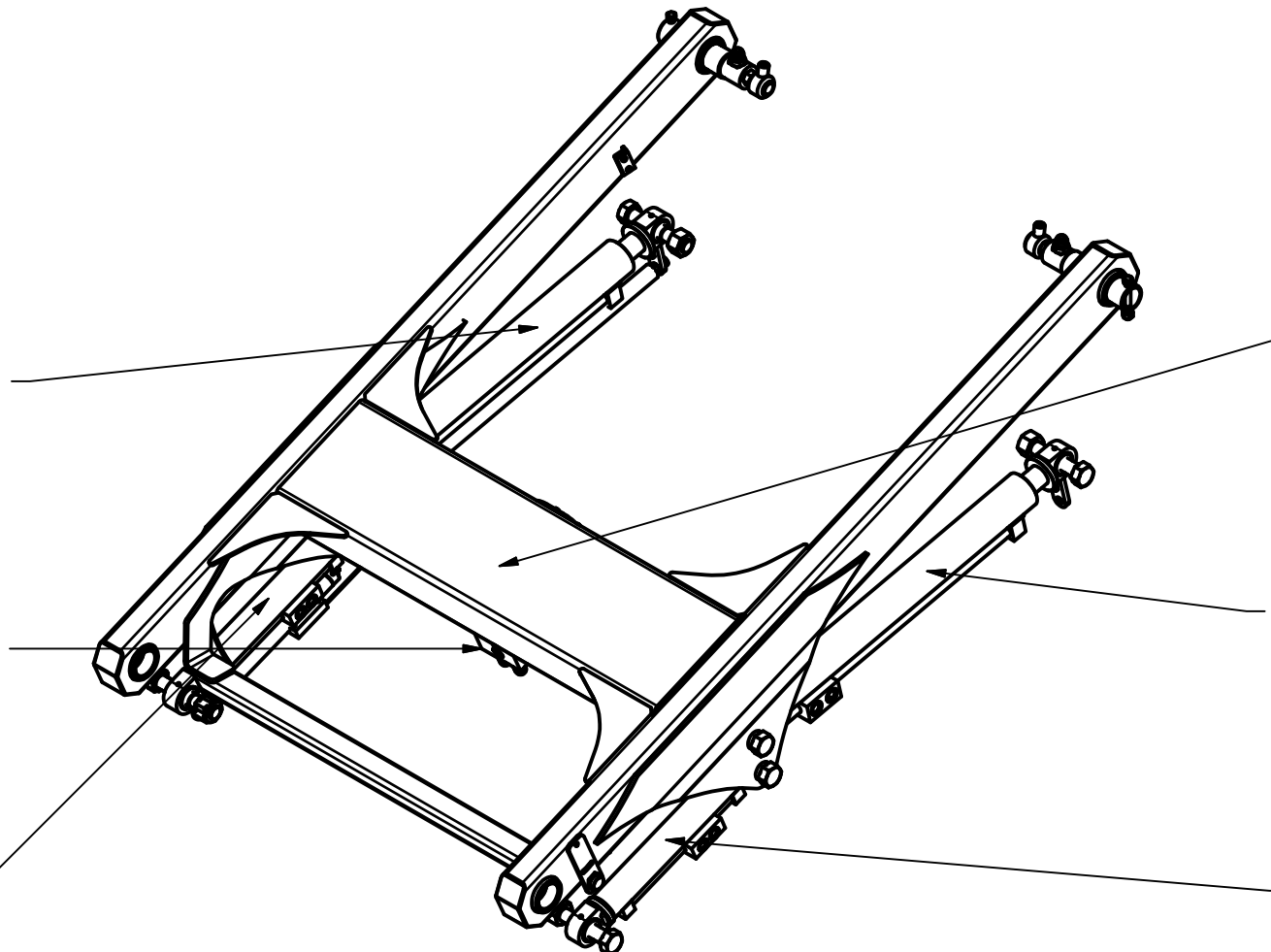
Lift Arm

Hyd. Valve
Block

Lift Cyl.

Tilt Cyl
W/Sensor

Tilt Cyl.



Squeeze Tilt Frame Assy

Back

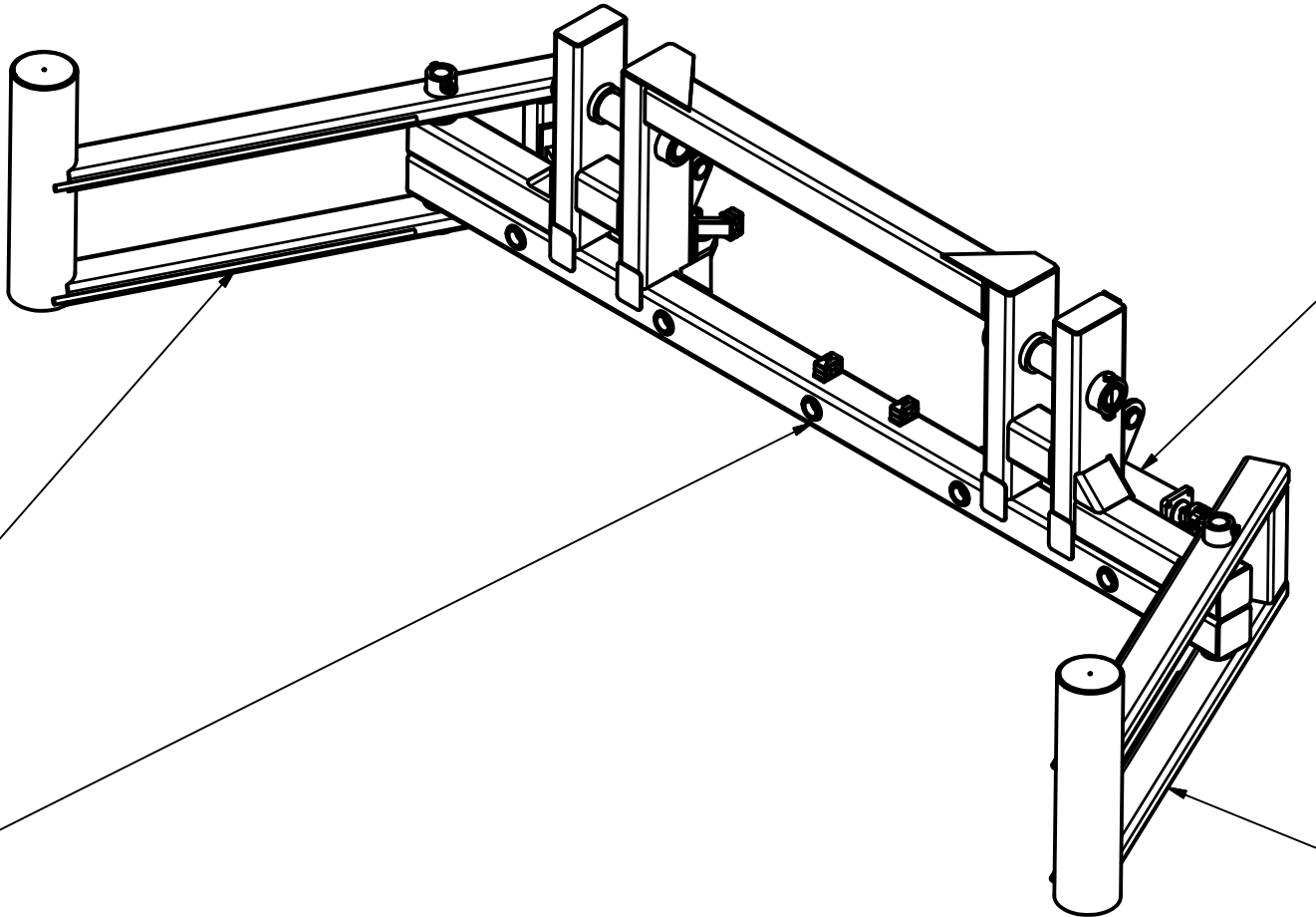
Home

Sqz. Cyl.

RH Sq Arm

Tilt Frame

LH Sq Arm



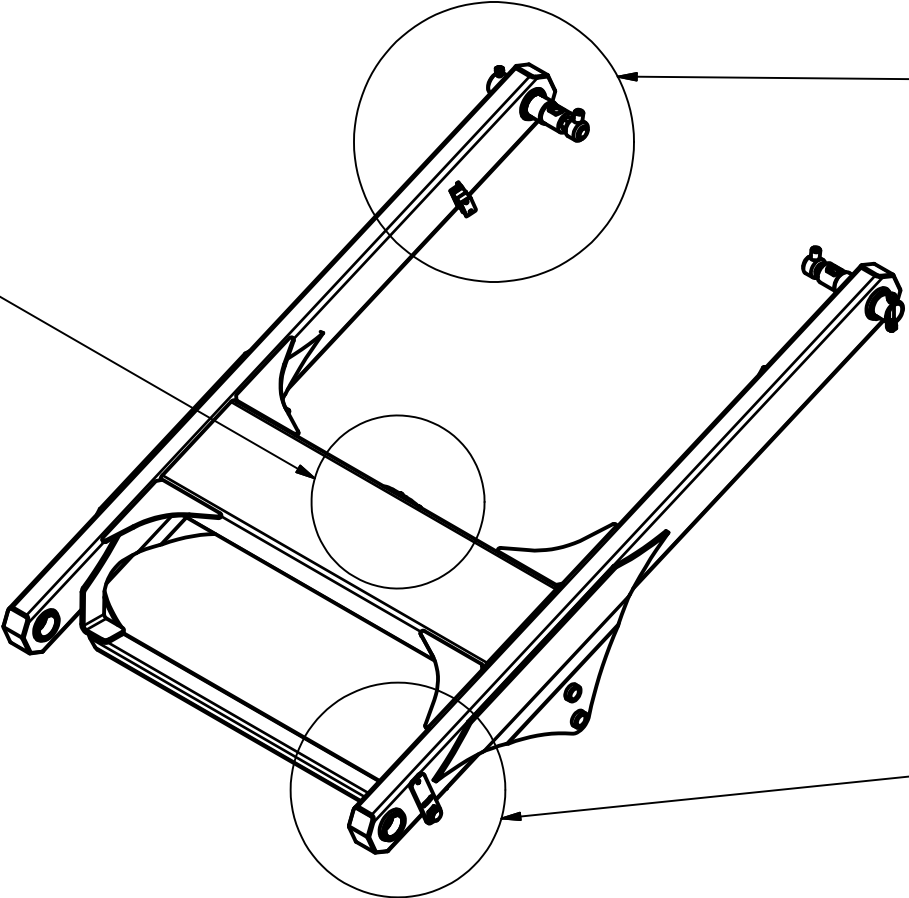
Lift Arm

Back

Home

Detail C

Detail A

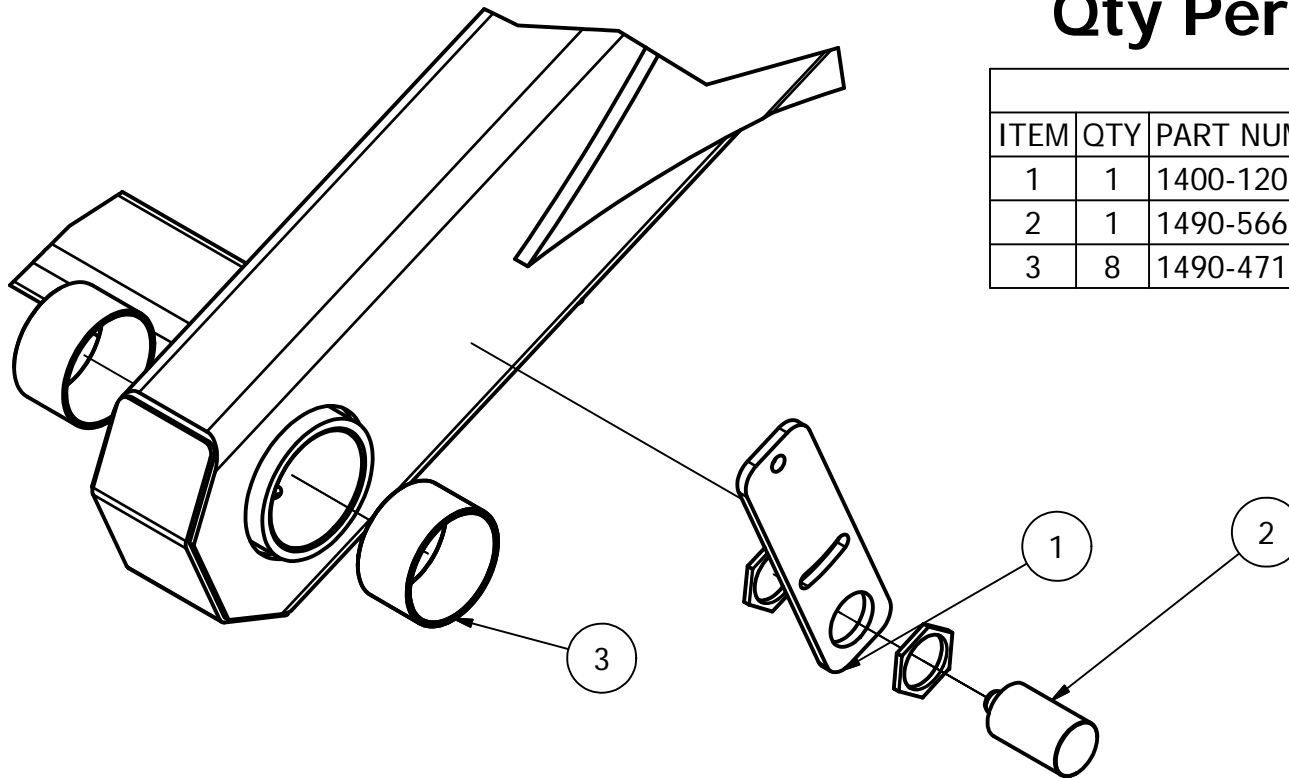


Detail B

Lift Arm Detail B

Back

Home



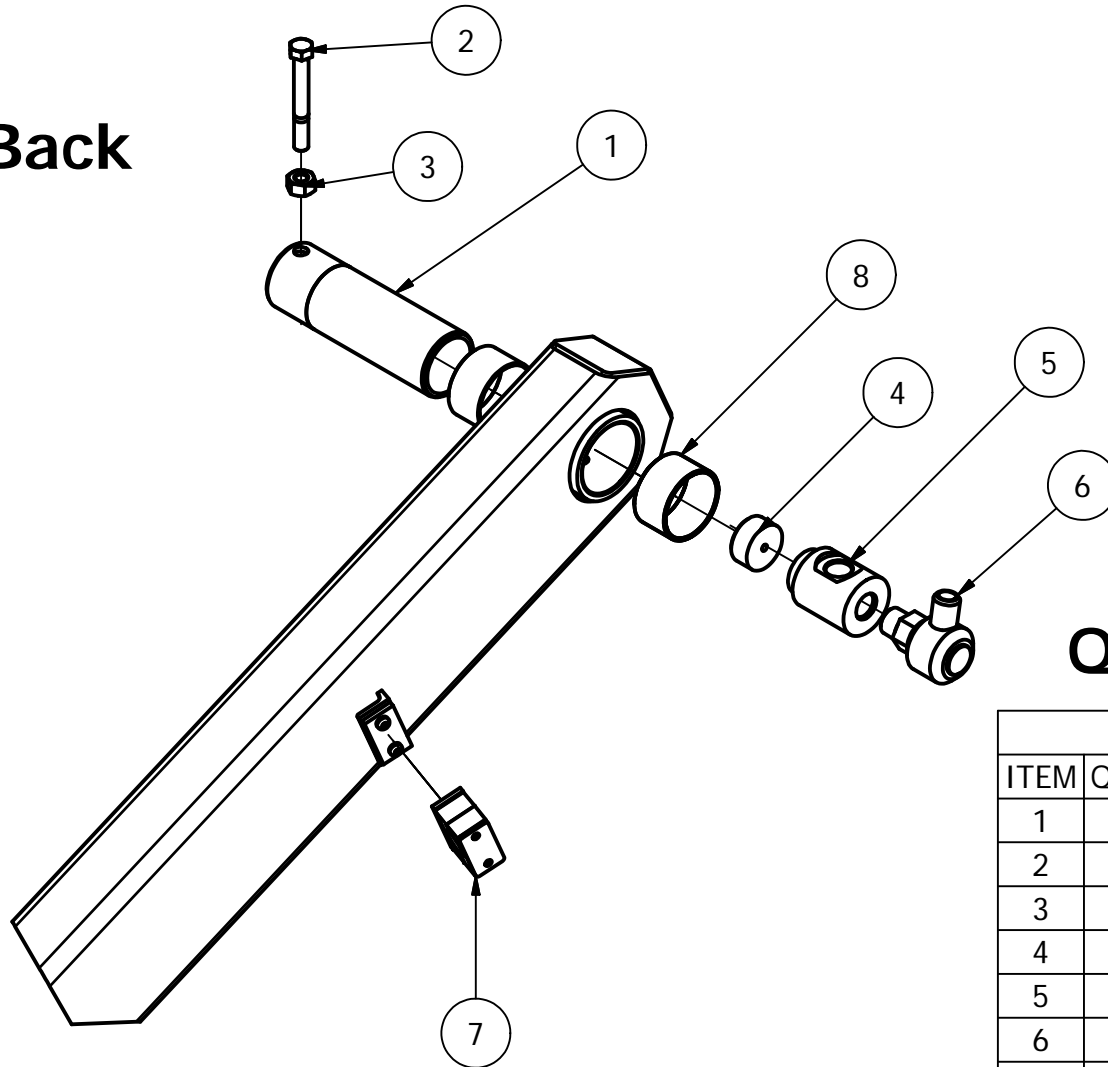
Qty Per Lift Arm Assy

PARTS LIST			
ITEM	QTY	PART NUMBER	DESCRIPTION
1	1	1400-120	Prox Switch Mount
2	1	1490-5667	Prox Switch W/QD at switch
3	8	1490-4716	Wear Bushing

Lift Arm Detail A

Back

Home



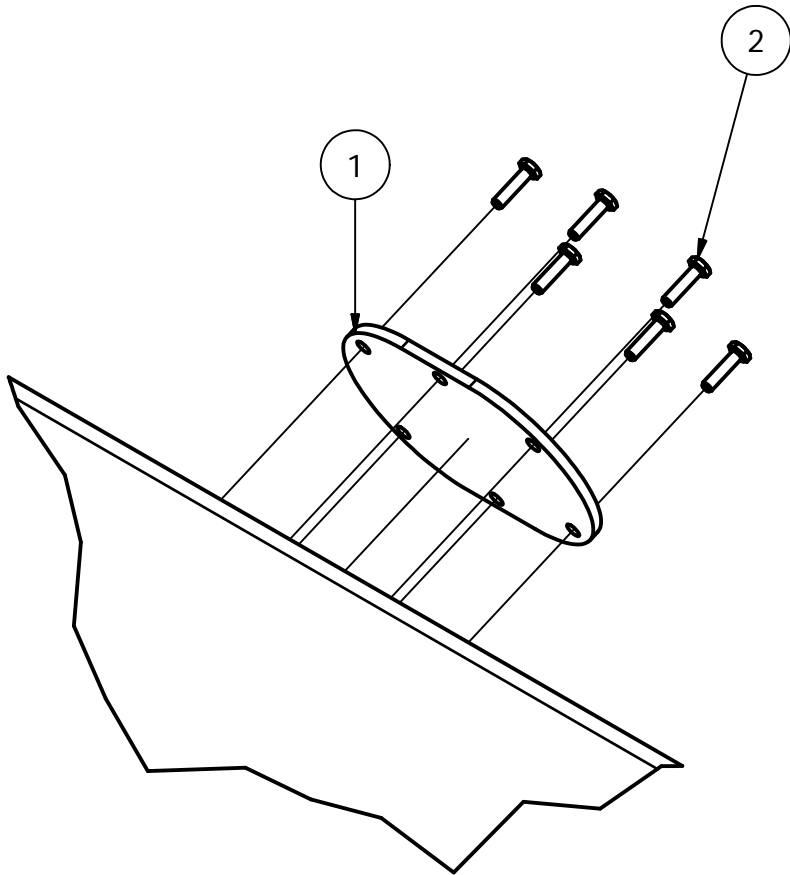
Qty Per Lift Arm Assy

PARTS LIST			
ITEM	QTY	PART NUMBER	DESCRIPTION
1	2	5540-111	Main Pivot Shaft
2	2	1/2-13 X 4"	Bolt
3	2	1/2-13 Nut	Nut
4	2	1490-5942	Expansion Plug
5	2	1490-5879	High Pressure Swivel Mount
6	2	1490-5849	High Pressure Swivel
7	4	Kit-Sng-.75	3/4" Single Hose Clamp
8	8	1490-4716	Wear Bushing

Lift Arm Detail C

Back

Home

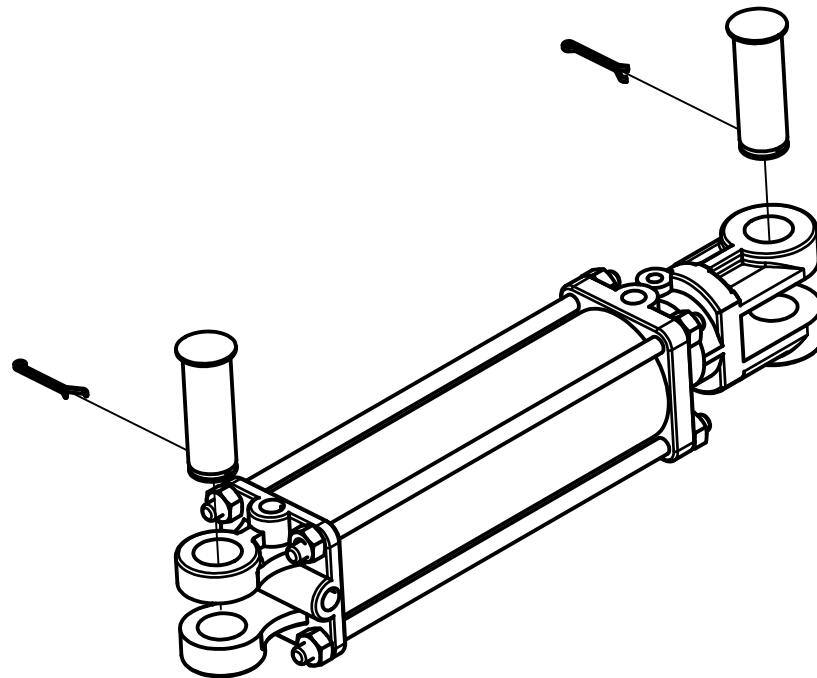


PARTS LIST			
ITEM	QTY	PART NUMBER	DESCRIPTION
1	1	5530-125	Lift Arm Crossmember Cover
2	6	1/4-20 X 1	1/4-20 X 1 Hex Head Bolt

Tilt Squeeze Cylinder Assy

(2-1/2 X 6 X 1-1/8" Cylinder)

Back



Home

Cylinder Part Number

14905147

(Comes with both Cylinder pins)

Seal Kit Part Number

14901872

(2-1/2" bore, 6" Stroke, 1-1/8" Rod)

Rod End Clevis Part Number

14905958

(Hardened for 1" Cylinder pins 1-1/8" Thread)

Cylinder Pin Part Number

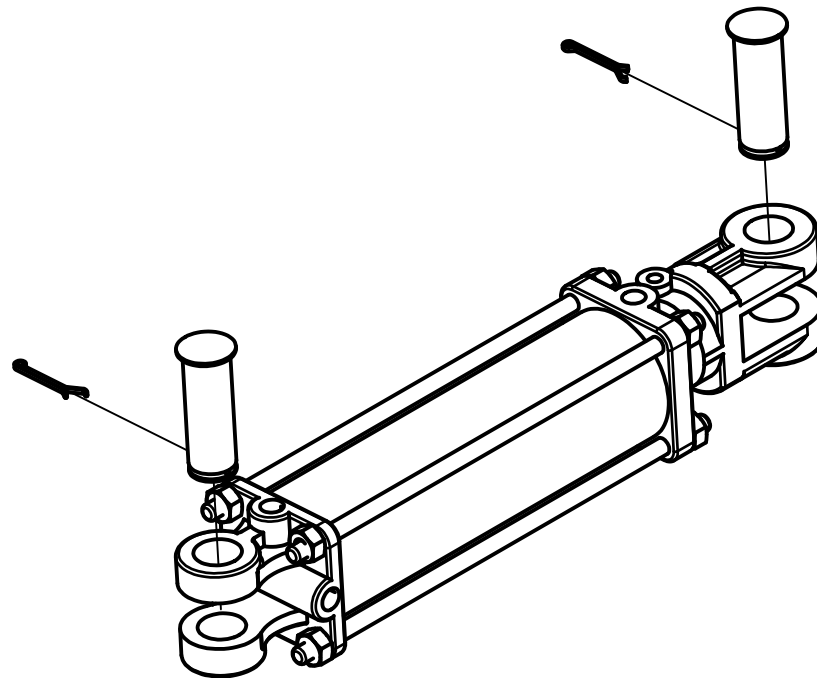
14904566

(1 X 2-3/4" W/Cotter pin)

Tilt Squeeze Cylinder Assy

(2-1/2 X 6 X 1-1/8" Cylinder)

Back



Home

Cylinder Part Number

14905147

(Comes with both Cylinder pins)

Seal Kit Part Number

14901872

(2-1/2" bore, 6" Stroke, 1-1/8" Rod)

Rod End Clevis Part Number

14905958

(Hardened for 1" Cylinder pins 1-1/8" Thread)

Cylinder Pin Part Number

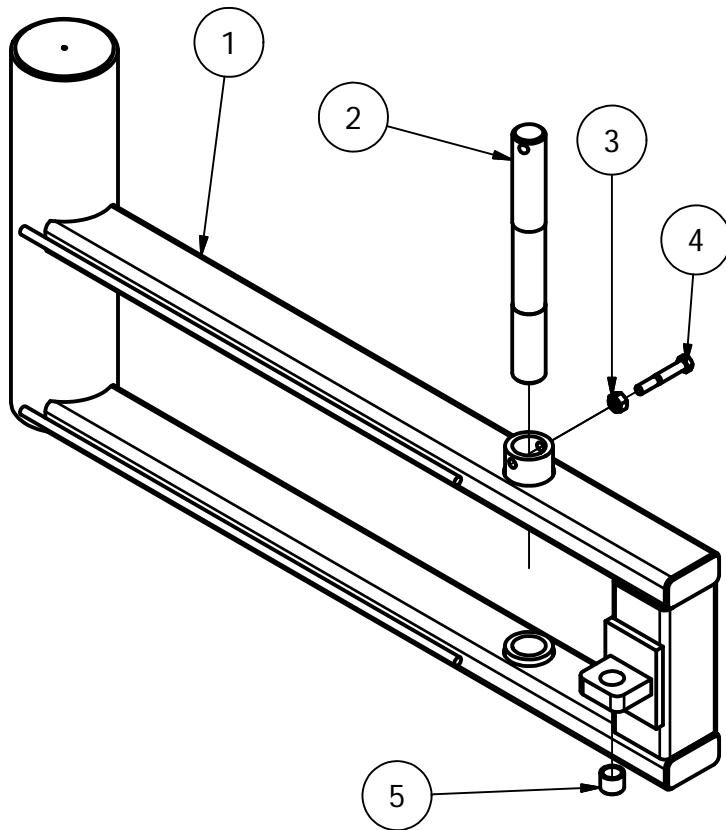
14904566

(1 X 2-3/4" W/Cotter pin)

RH Front Squeeze Arm Assy

Back

Home

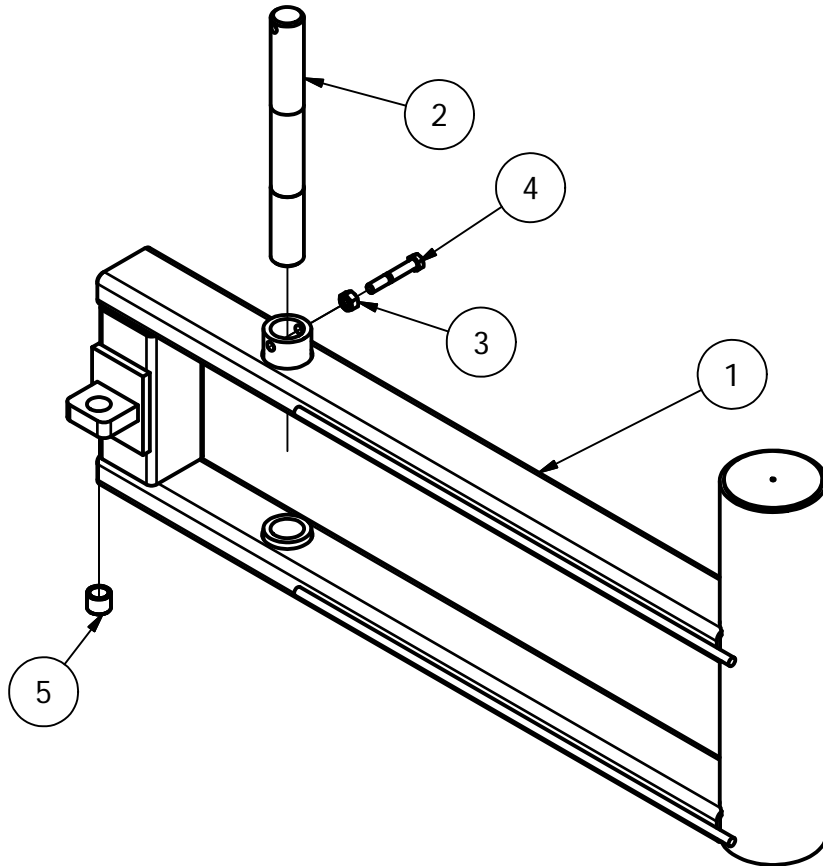


PARTS LIST			
ITEM	QTY	PART NUMBER	DESCRIPTION
1	1	1425A2R	RH Squeeze Arm
2	1	1420-305	Machined Shaft
3	1	1/2-13 Nut	Hex Nuts
4	1	1/2-13 X 3-1/4 Bolt	Hex Bolt
5	1	14902030	Wear Bushing

LH Front Squeeze Arm Assy

Back

Home

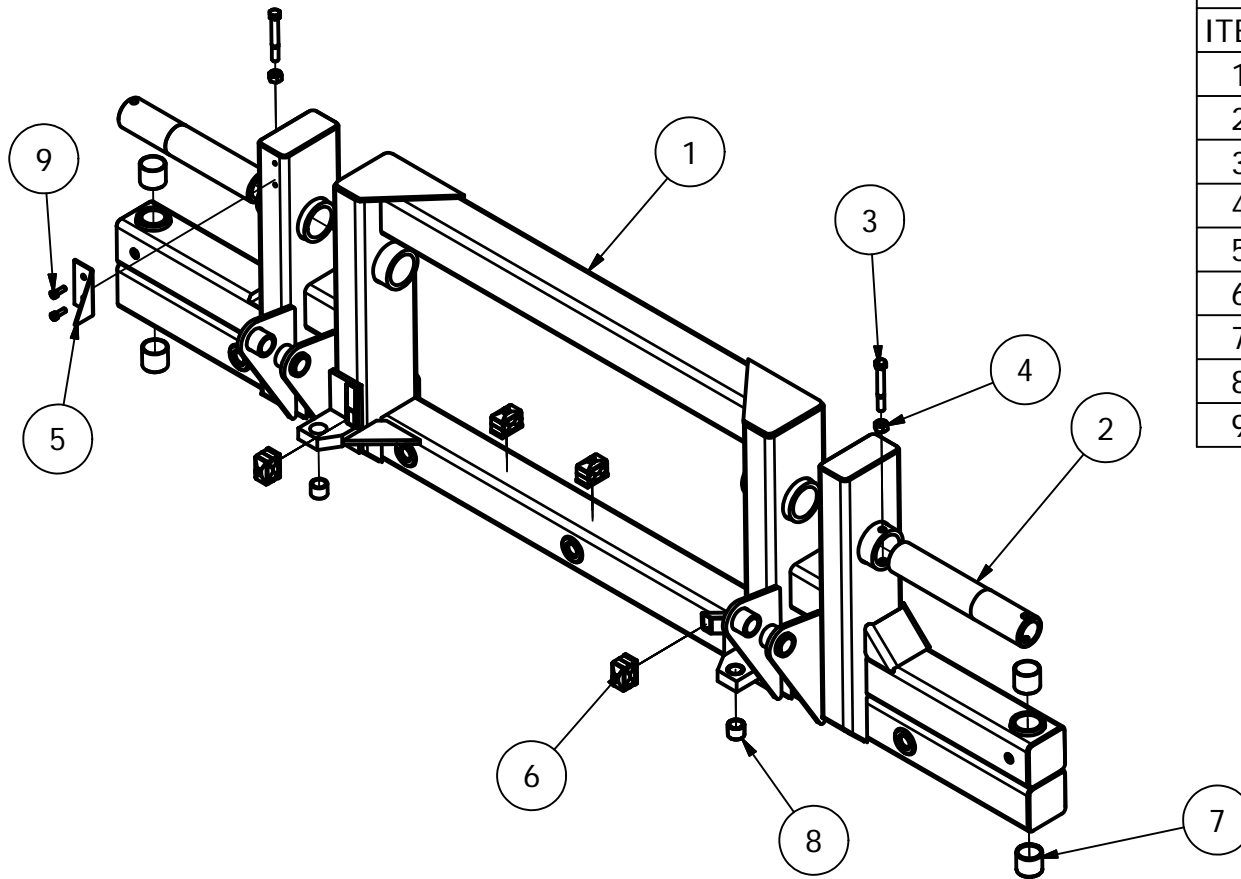


PARTS LIST			
ITEM	QTY	PART NUMBER	DESCRIPTION
1	1	1425A2L	RH Squeeze Arm
2	1	1420-305	Machined Shaft
3	1	1/2-13 Nut	Hex Nuts
4	1	1/2-13 X 3-1/4 Bolt	Hex Bolt
5	1	14902030	Wear Bushing

Squeeze Front Tilt Frame Assy

Back

Home



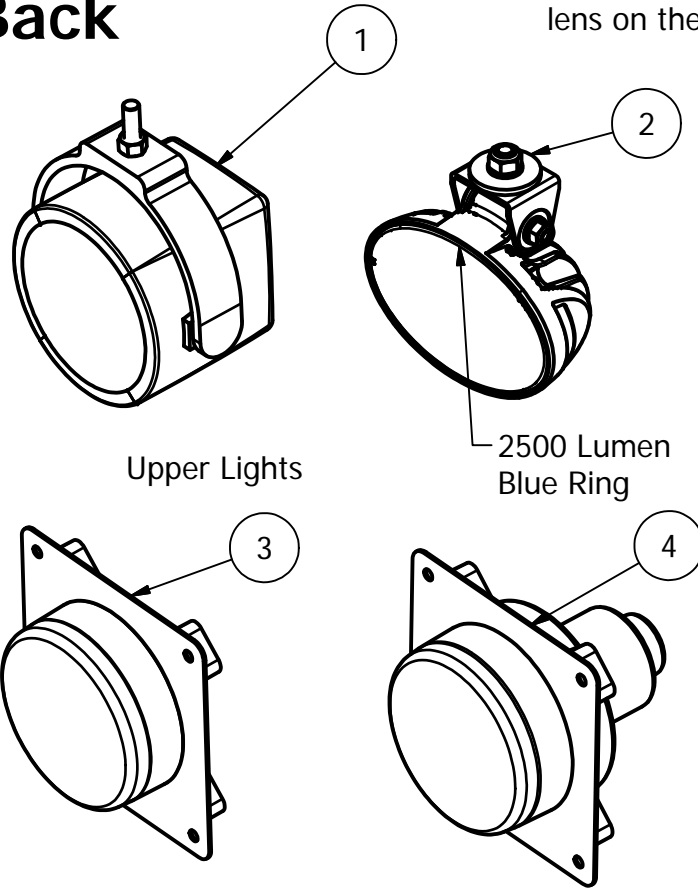
PARTS LIST			
ITEM	QTY	PART NUMBER	DESCRIPTION
1	1	5525A	Front Squeeze Tilt Frame
2	2	5520-110	Tilt Pivot Shaft
3	2	1/2-13 X 4	Hex Bolt
4	2	1/2-13 Nut	Hex Nut
5	1	5520-200	Tilt Prox Adjustent Angle
6	4	KIT-DBL-.375	3/8" Double Hose Clamp
7	4	14904654	Wear Bushing
8	2	14902030	Wear Bushing
9	2	5/16-18 X 1	Hex Bolt

White Lights

The two Oval Trilliant lights look identical in appearance except for a Blue Ring along the outer edge of the lens on the 2500 lumen (Forward Facing) light.

Back

Home



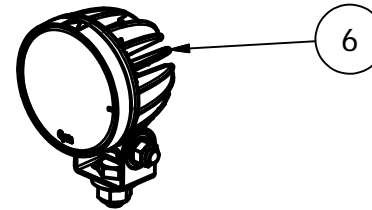
Upper Lights

2500 Lumen
Blue Ring

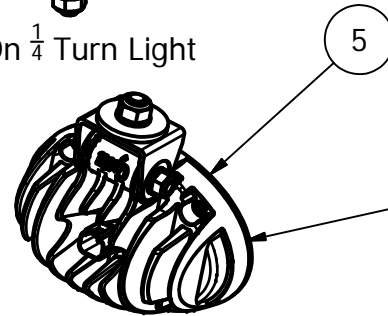
Hi Beam Bulb
1490-6616

Bumper Lights

Low Beam Bulb
1490-6617



Add-On $\frac{1}{4}$ Turn Light



Rear-Facing 1/4-Turn
& Squeeze-Rail Lights
1200 Lumen (No Blue Ring)

1490-6690 Wire Harness
required to add any LED
light to an older machine

Wiring Harnesses

Quantity per machine		PARTS LIST	
ITEM	QTY	PART NUMBER	DESCRIPTION
1	2	1490-6770	Rallye 4000 LED Driving Lamp
2	2	1490-6320	Trilliant LED Oval 2500 Lumens Flood Light
3	2	1490-6558	Hi Beam Headlight (2014 & Later Inner)
4	2	1490-6557	Low Beam Headlight (2014 & Later Outer)
5	6	1490-6319	Trilliant LED Oval 1200 Lumens Flood Light
6	1	1490-6611	Trilliant T26 LED 1400 Flood Light

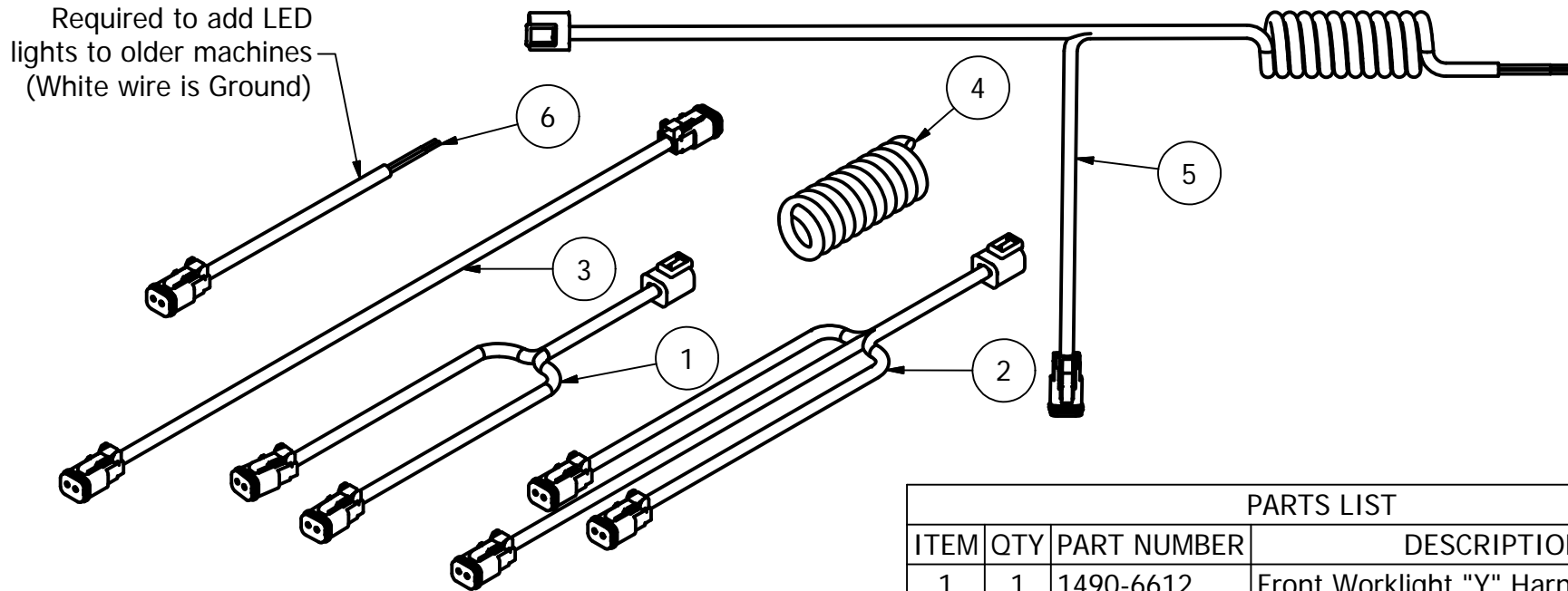
Wiring Harnesses

Back

Not Drawn to Scale

Home

Required to add LED lights to older machines (White wire is Ground)



PARTS LIST

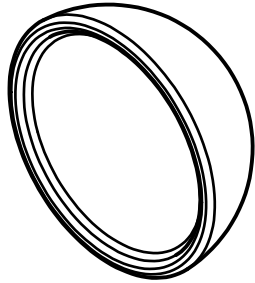
ITEM	QTY	PART NUMBER	DESCRIPTION
1	1	1490-6612	Front Worklight "Y" Harness (LH)
2	1	1490-6613	Front Worklight "W" Harness (RH)
3	1	1490-6689	Squeeze Rail Wiring Harness (Long)
4	1	1490-5955	Rear Work Light Power Supply Cord
5	1	1490-6691	Squeeze Rail Wire Harness Assembly
6	1	1490-6690	Rear Work Light Power Supply Cord

Incandescent Lights

(2013 & Older)

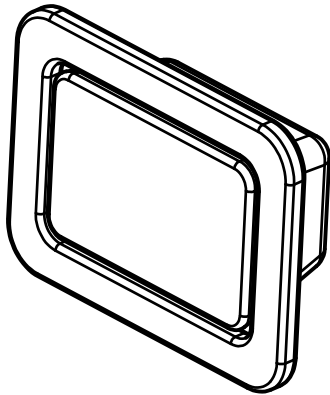
Back

**Rallye 4000
Spot Light**
Part # 1490-4968



Bulb (H1)
Part # 1490-5907

Head Lights
Part # 1490-5618
Complete Unit

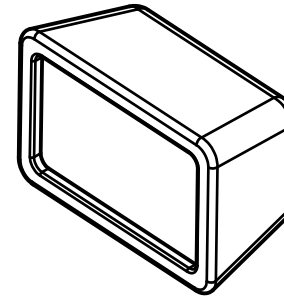


Bulb Only
Part # 14905931

Chrome Ring
Part # 14905427



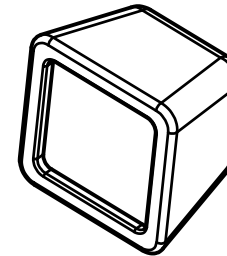
**Power Cord
For Rear Work Lights**
Part # 1490-5955



Home

**Dual Bulb
Work Light**
Front
Part # 14902288

55W Bulb
Part # 1490-4681



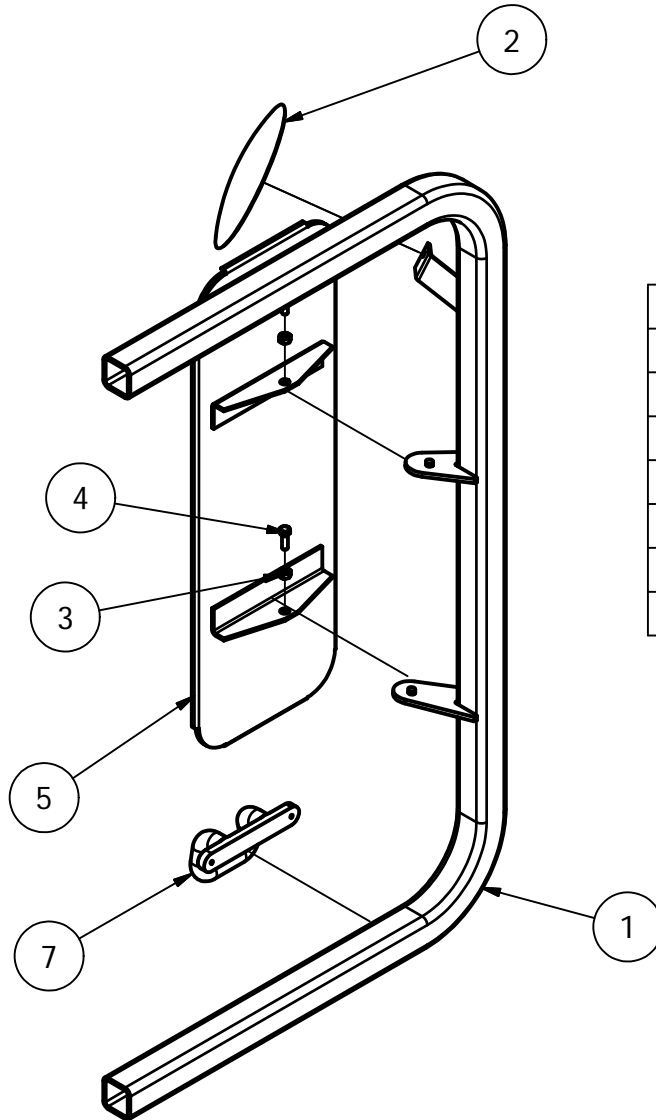
**Single Bulb
Work Light**
Rear
1490-2286

55W Bulb
Part # 1490-4681

LH Mirror Bracket

Back

Home



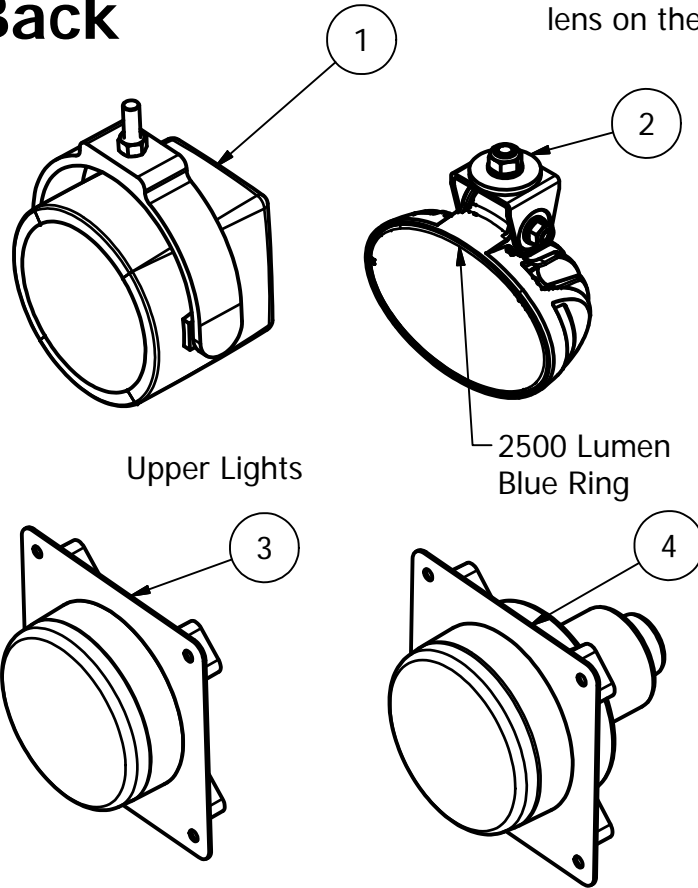
PARTS LIST			
ITEM	QTY	PART NUMBER	DESCRIPTION
1	1	2006A3L	2006 500 Series LH Mirror Bracket
2	1	1490-5087	8" Rd Convex Mirror
3	2	5/16 - 18	Hex Nut
4	2	5/16-18 X 1	Hex Bolt
5	1	1490-5379	10X30 Mirror Assy
7	1	14904243	Molded Grab Handle

White Lights

The two Oval Trilliant lights look identical in appearance except for a Blue Ring along the outer edge of the lens on the 2500 lumen (Forward Facing) light.

Back

Home



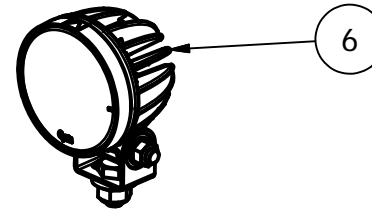
Upper Lights

2500 Lumen Blue Ring

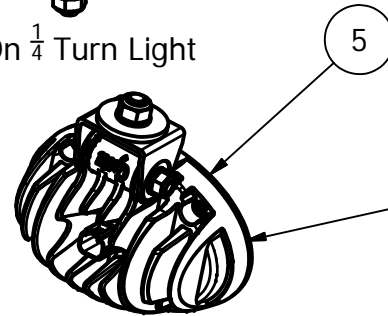
Hi Beam Bulb
1490-6616

Bumper Lights

Low Beam Bulb
1490-6617



Add-On $\frac{1}{4}$ Turn Light



Rear-Facing 1/4-Turn & Squeeze-Rail Lights
1200 Lumen (No Blue Ring)

1490-6690 Wire Harness required to add any LED light to an older machine

Wiring Harnesses

Quantity per machine		PARTS LIST	
ITEM	QTY	PART NUMBER	DESCRIPTION
1	2	1490-6770	Rallye 4000 LED Driving Lamp
2	2	1490-6320	Trilliant LED Oval 2500 Lumens Flood Light
3	2	1490-6558	Hi Beam Headlight (2014 & Later Inner)
4	2	1490-6557	Low Beam Headlight (2014 & Later Outer)
5	6	1490-6319	Trilliant LED Oval 1200 Lumens Flood Light
6	1	1490-6611	Trilliant T26 LED 1400 Flood Light

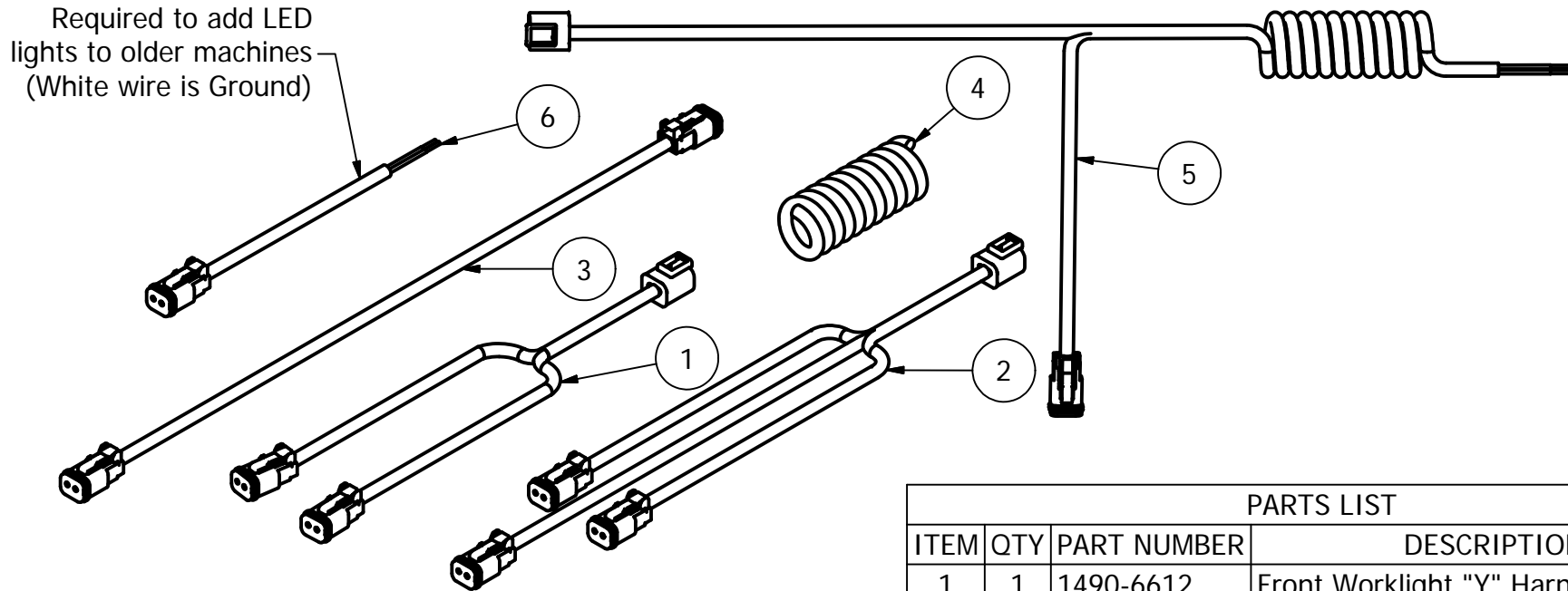
Wiring Harnesses

Back

Not Drawn to Scale

Home

Required to add LED lights to older machines
(White wire is Ground)



PARTS LIST

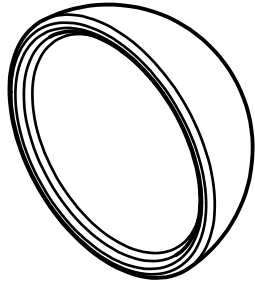
ITEM	QTY	PART NUMBER	DESCRIPTION
1	1	1490-6612	Front Worklight "Y" Harness (LH)
2	1	1490-6613	Front Worklight "W" Harness (RH)
3	1	1490-6689	Squeeze Rail Wiring Harness (Long)
4	1	1490-5955	Rear Work Light Power Supply Cord
5	1	1490-6691	Squeeze Rail Wire Harness Assembly
6	1	1490-6690	Rear Work Light Power Supply Cord

Incandescent Lights

(2013 & Older)

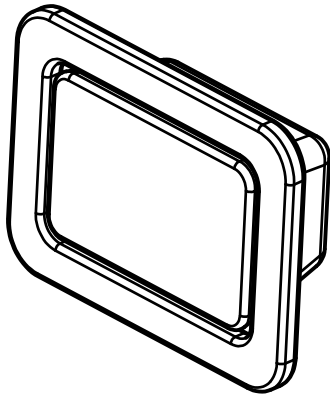
Back

**Rallye 4000
Spot Light**
Part # 1490-4968



Bulb (H1)
Part # 1490-5907

Head Lights
Part # 1490-5618
Complete Unit

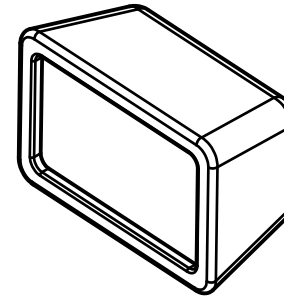


Bulb Only
Part # 14905931

Chrome Ring
Part # 14905427



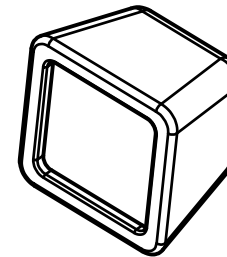
**Power Cord
For Rear Work Lights**
Part # 1490-5955



Home

**Dual Bulb
Work Light**
Front
Part # 14902288

55W Bulb
Part # 1490-4681



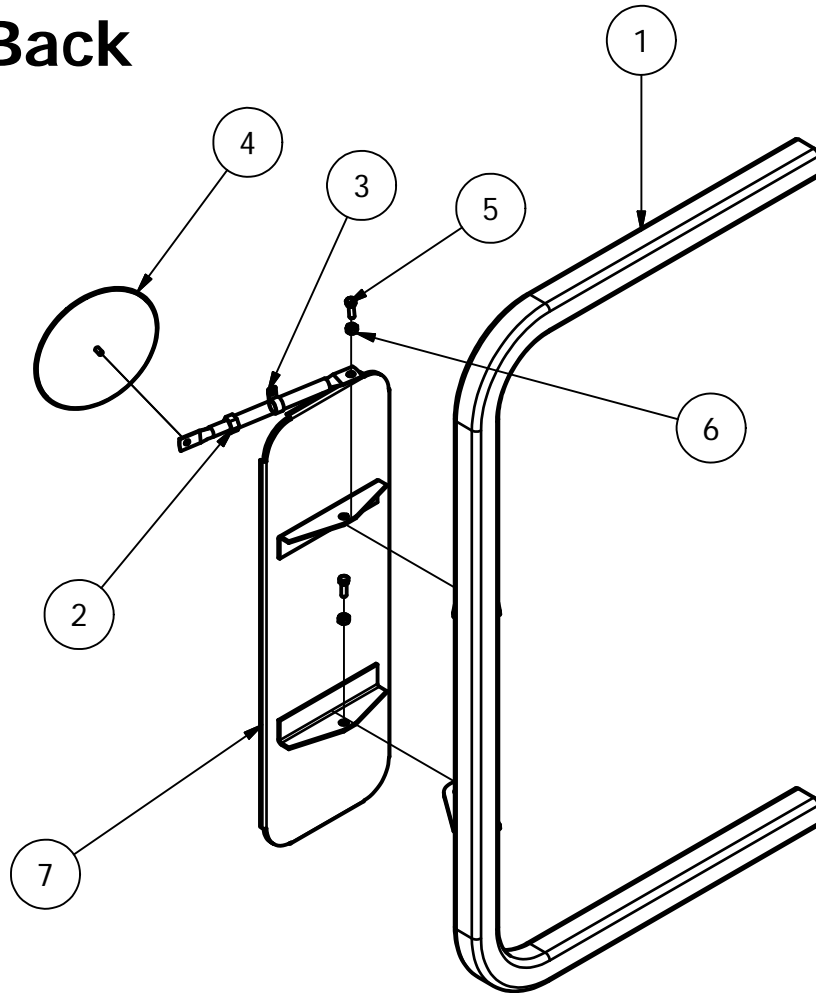
**Single Bulb
Work Light**
Rear
1490-2286

55W Bulb
Part # 1490-4681

RH Mirror Bracket

Back

Home



PARTS LIST			
ITEM	QTY	PART NUMBER	DESCRIPTION
1	1	2006A3R	2006 500 Series RH Mirror Bracket
2	1	1490-6564	Mirror Ext. Arm
3	1	Waytek #25512	3/4" Vinyl coated Cable Clamp
4	1	1490-5087	8" Rd Convex Mirror
5	2	5/16-18 X 1	Hex Bolt
6	2	5/16 - 18	Hex Nut
7	1	1490-5379	10X30 Mirror Assy

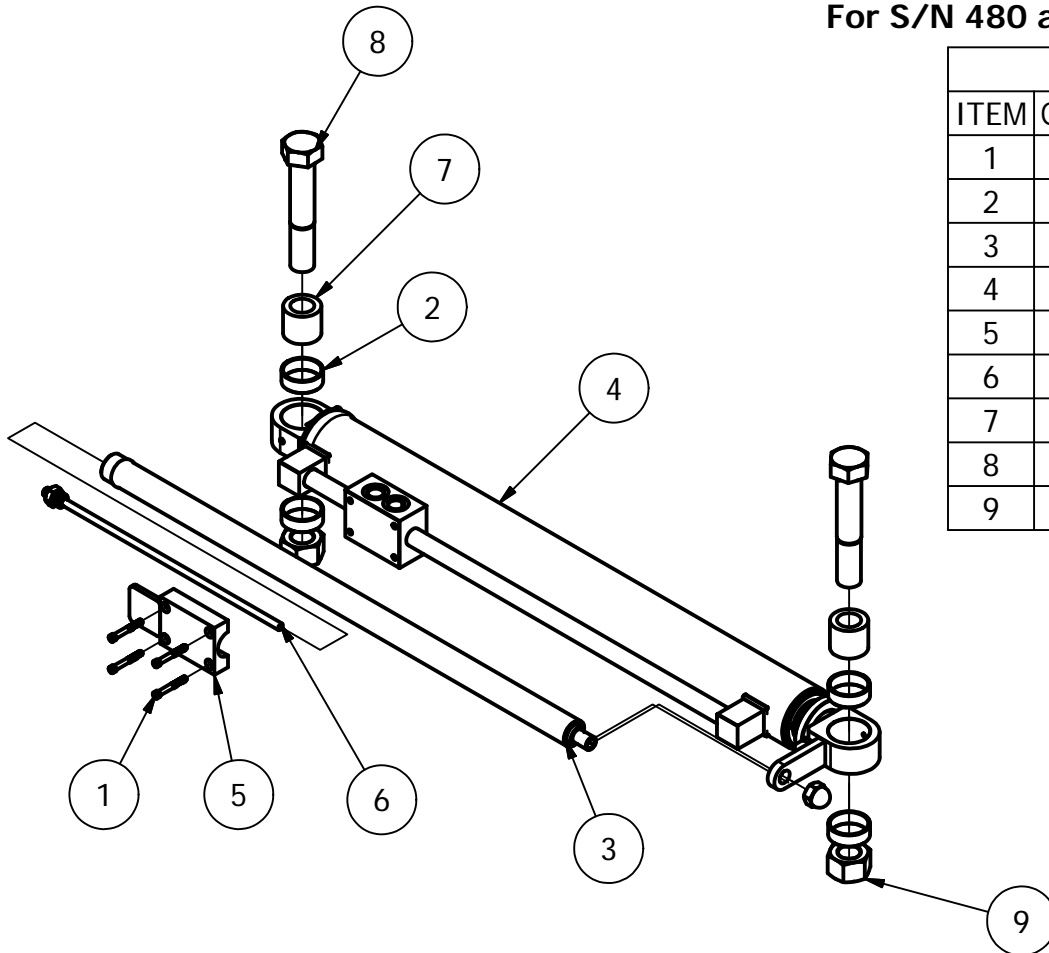
Lift Cylinder 5530-204 W/Sensor

Includes wear sleeves and bushings
(items 2 & 7)

Back

Home

For S/N 480 and later



PARTS LIST			
ITEM	QTY	PART NUMBER	DESCRIPTION
1	4	Cap Screw	1/4 X 2-1/4 Allen Head Cap Screw
2	4	14905878	Wear Bushing
3	1	1490-5853	30" Sensor Housing
4	1	5530-204	3 X 30 X 2 Welded Cylinder
5	1	5530206	Position Sensor Mounting Cap Weldment
6	1	1490-5867	13" Sensor
7	2	5530-130	Cylinder Pivot Bearing
8	2	14905104	HCS 1-1/4 - 12 x 7, Zinc Plate Grade 8
9	2	14902081	Top Lock 1-1/4 - 12, Zinc Plate Grade 8

Cylinder Seal Kit **1490-5019**
 Sensor Housing Seal Kit **1490-6297**
 Sensor requires **1 - 8MB O-Ring**
 Acorn Nut for Sensor Housing **1490-6624**

**Older
Cylinders**

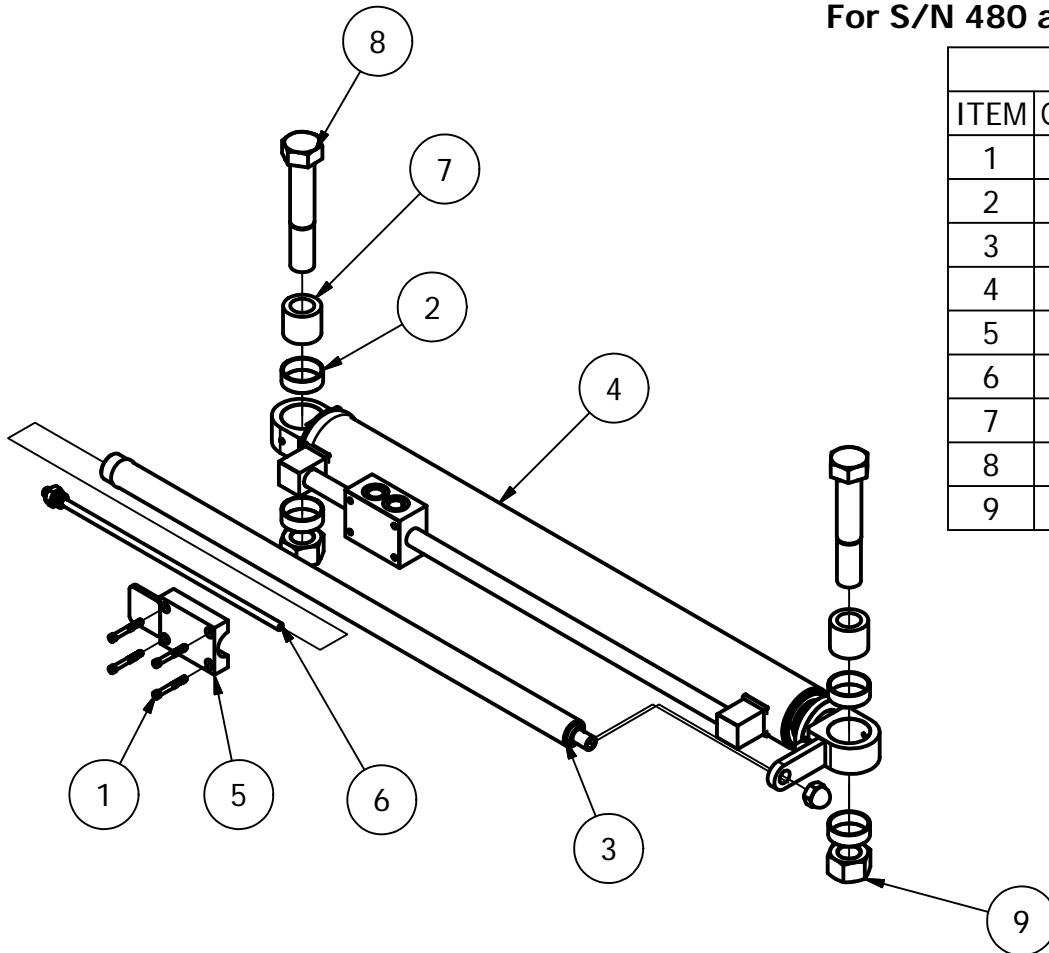
Lift Cylinder 5530-204 W/Sensor

Includes wear sleeves and bushings
(items 2 & 7)

Back

Home

For S/N 480 and later



PARTS LIST			
ITEM	QTY	PART NUMBER	DESCRIPTION
1	4	Cap Screw	1/4 X 2-1/4 Allen Head Cap Screw
2	4	14905878	Wear Bushing
3	1	1490-5853	30" Sensor Housing
4	1	5530-204	3 X 30 X 2 Welded Cylinder
5	1	5530206	Position Sensor Mounting Cap Weldment
6	1	1490-5867	13" Sensor
7	2	5530-130	Cylinder Pivot Bearing
8	2	14905104	HCS 1-1/4 - 12 x 7, Zinc Plate Grade 8
9	2	14902081	Top Lock 1-1/4 - 12, Zinc Plate Grade 8

Cylinder Seal Kit **1490-5019**
 Sensor Housing Seal Kit **1490-6297**
 Sensor requires **1 - 8MB O-Ring**
 Acorn Nut for Sensor Housing **1490-6624**

**Older
Cylinders**

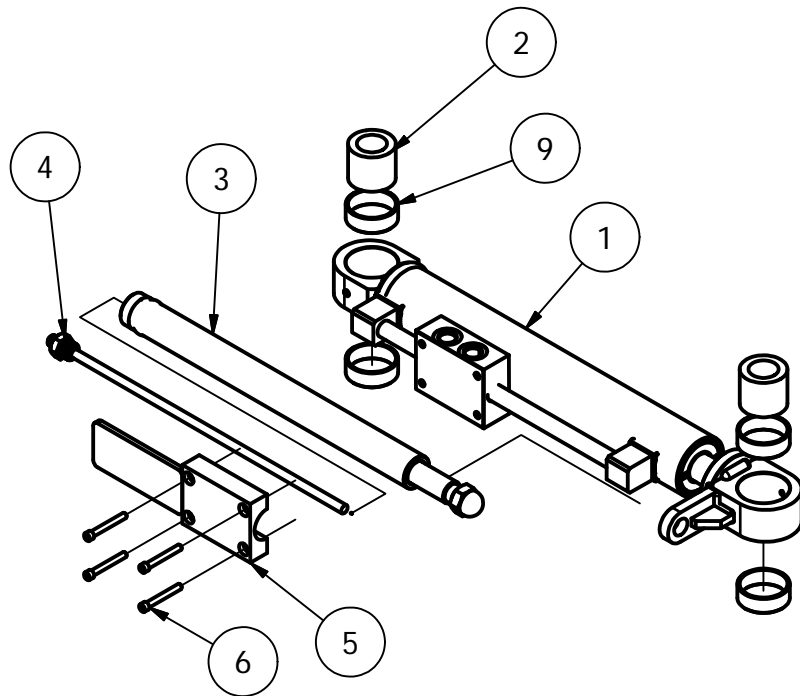
Tilt Cylinder 5530-205 W/Sensor

Includes wear sleeves and bushings
(items 2 & 9)

[Back](#)

[Home](#)

For S/N 480 and later



PARTS LIST			
ITEM	QTY	PART NUMBER	DESCRIPTION
1	1	5530-205	2-1/4 X 13 Tilt Cylinder
2	2	5530-130	Cylinder Pivot Bearing
3	1	1490-5854	13" Sensor Housing
4	1	1490-5866	13" Sensor
5	1	5530207	Position Sensor Mounting Cap Weldment
6	4	Cap Screw	1/4 X 2-1/4 Cap Screw
9	4	1490-5878	Wear Bushing

Cylinder Seal Kit **1490-4756**
Sensor Housing Seal Kit **1490-6297**
Sensor requires **1 - 8MB O-Ring**
Acorn Nut for Sensor Housing **1490-6624**

**Older
Cylinders**

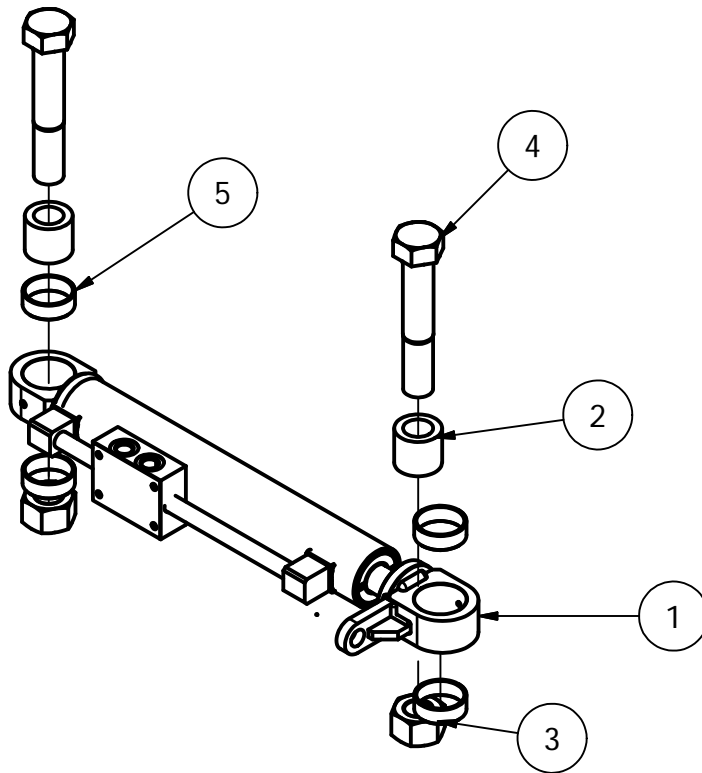
Tilt Cylinder 5530-205

Includes wear sleeves and bushings
(items 2 & 5)

[Back](#)

[Home](#)

For S/N 480 and later



PARTS LIST			
ITEM	QTY	PART NUMBER	DESCRIPTION
1	1	5530-205	2-1/4 X 13 Tilt Cylinder
2	2	5530-130	Cylinder Pivot Bearing
3	2	14902081	Top Lock 1-1/4 - 12, Zinc Plate Grade 8
4	2	14905104	HCS 1-1/4 - 12 x 7, Zinc Plate Grade 8
5	4	1490-5878	Wear Bushing

Cylinder Seal Kit **1490-4756**

**Older
Cylinders**

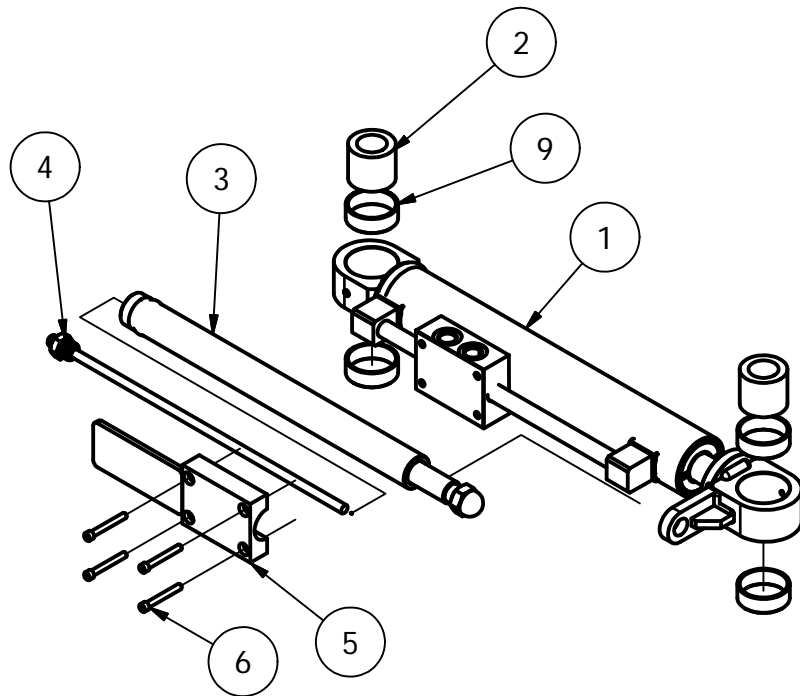
Tilt Cylinder 5530-205 W/Sensor

Includes wear sleeves and bushings
(items 2 & 9)

[Back](#)

[Home](#)

For S/N 480 and later



PARTS LIST			
ITEM	QTY	PART NUMBER	DESCRIPTION
1	1	5530-205	2-1/4 X 13 Tilt Cylinder
2	2	5530-130	Cylinder Pivot Bearing
3	1	1490-5854	13" Sensor Housing
4	1	1490-5866	13" Sensor
5	1	5530207	Position Sensor Mounting Cap Weldment
6	4	Cap Screw	1/4 X 2-1/4 Cap Screw
9	4	1490-5878	Wear Bushing

Cylinder Seal Kit **1490-4756**
Sensor Housing Seal Kit **1490-6297**
Sensor requires **1 - 8MB O-Ring**
Acorn Nut for Sensor Housing **1490-6624**

**Older
Cylinders**

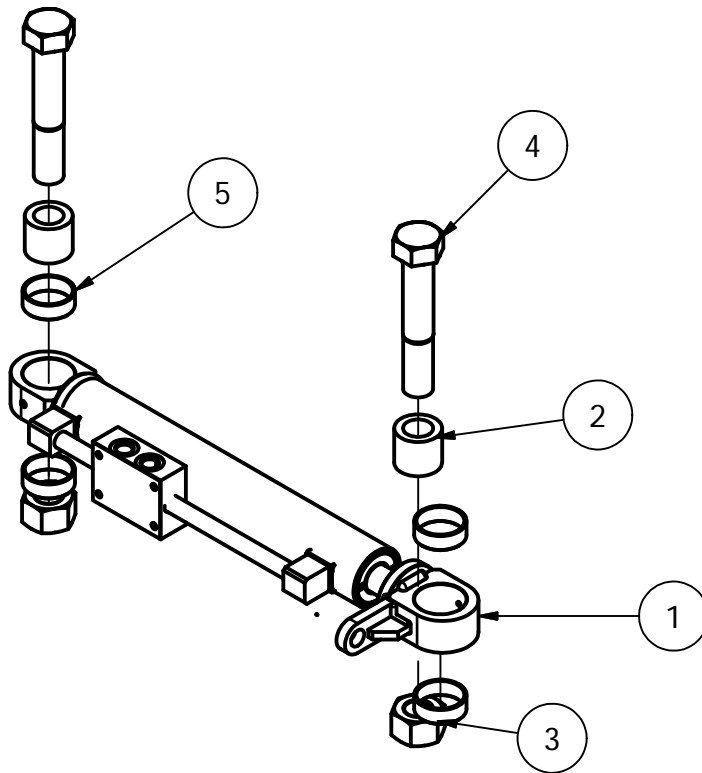
Tilt Cylinder 5530-205

Includes wear sleeves and bushings
(items 2 & 5)

[Back](#)

[Home](#)

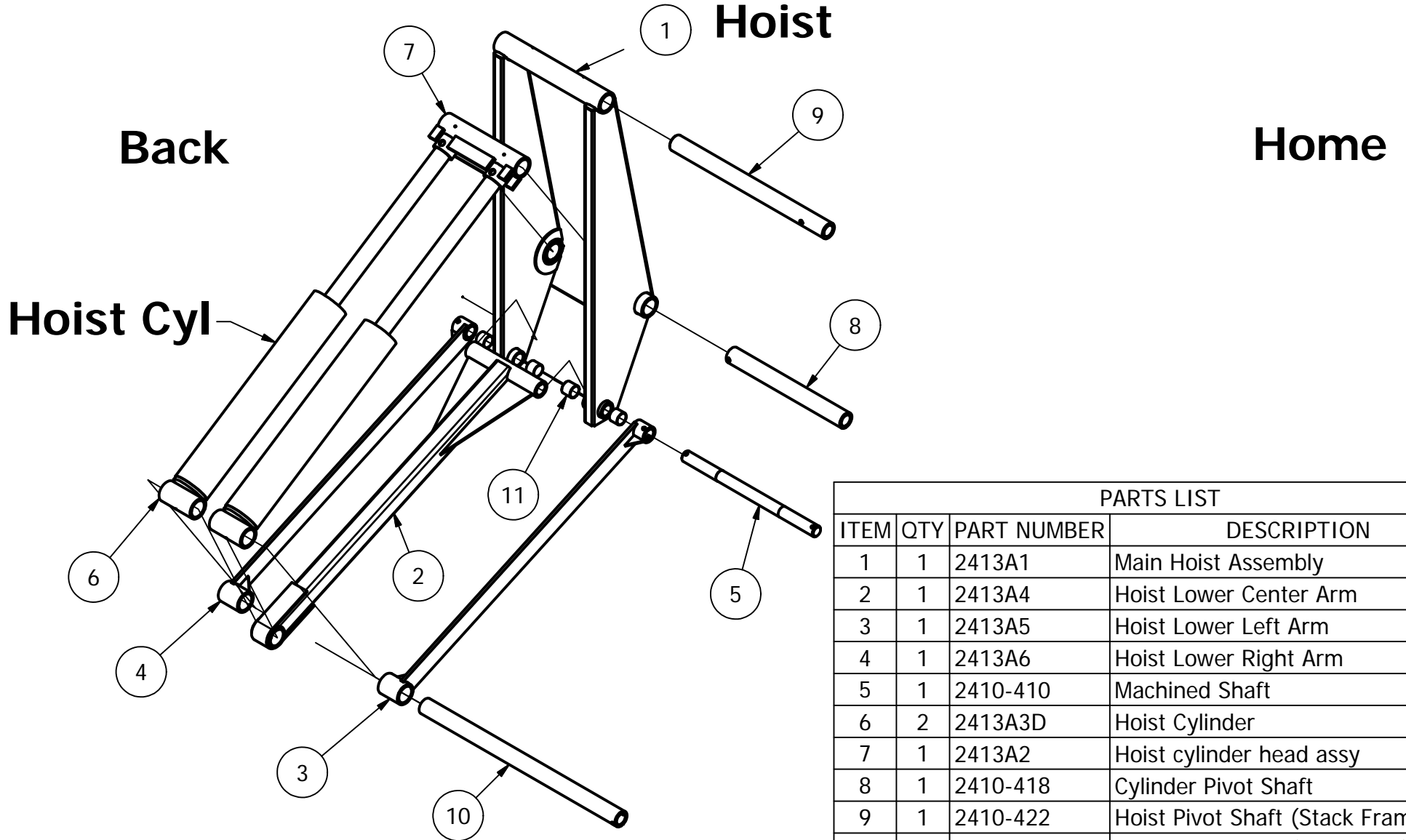
For S/N 480 and later



PARTS LIST			
ITEM	QTY	PART NUMBER	DESCRIPTION
1	1	5530-205	2-1/4 X 13 Tilt Cylinder
2	2	5530-130	Cylinder Pivot Bearing
3	2	14902081	Top Lock 1-1/4 - 12, Zinc Plate Grade 8
4	2	14905104	HCS 1-1/4 - 12 x 7, Zinc Plate Grade 8
5	4	1490-5878	Wear Bushing

Cylinder Seal Kit **1490-4756**

**Older
Cylinders**

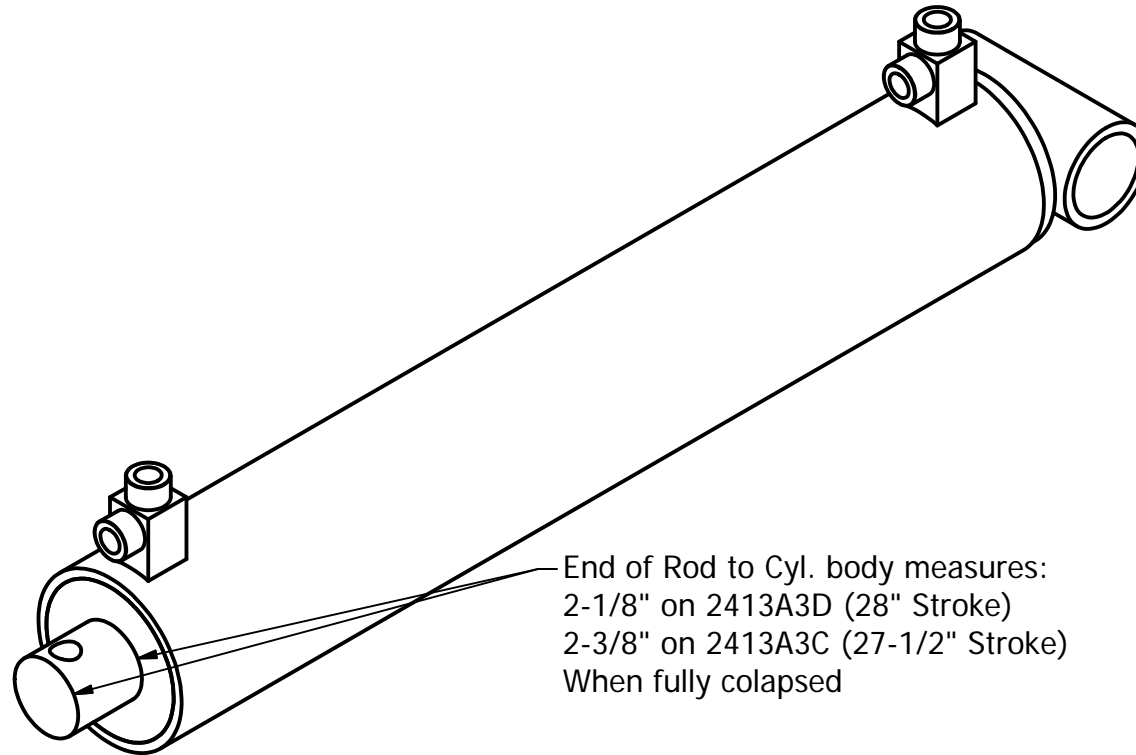


PARTS LIST			
ITEM	QTY	PART NUMBER	DESCRIPTION
1	1	2413A1	Main Hoist Assembly
2	1	2413A4	Hoist Lower Center Arm
3	1	2413A5	Hoist Lower Left Arm
4	1	2413A6	Hoist Lower Right Arm
5	1	2410-410	Machined Shaft
6	2	2413A3D	Hoist Cylinder
7	1	2413A2	Hoist cylinder head assy
8	1	2410-418	Cylinder Pivot Shaft
9	1	2410-422	Hoist Pivot Shaft (Stack Frame)
10	1	2460-333	Hoist Pivot Shaft (Main Slide)
11	4	1490-4654	Wear Bushing

Hoist Cylinders

Back

Home



End of Rod to Cyl. body measures:
2-1/8" on 2413A3D (28" Stroke)
2-3/8" on 2413A3C (27-1/2" Stroke)
When fully colapsed

S/N 309-Earlier.....2413A3B (Allow 4 to 6 weeks lead time)

S/N 310-539, 541-556.....2413A3C (Can replace B model, must replace both cylinders)

S/N 540, 557-later.....2413A3D (Can replace C model, must replace both cylinders)

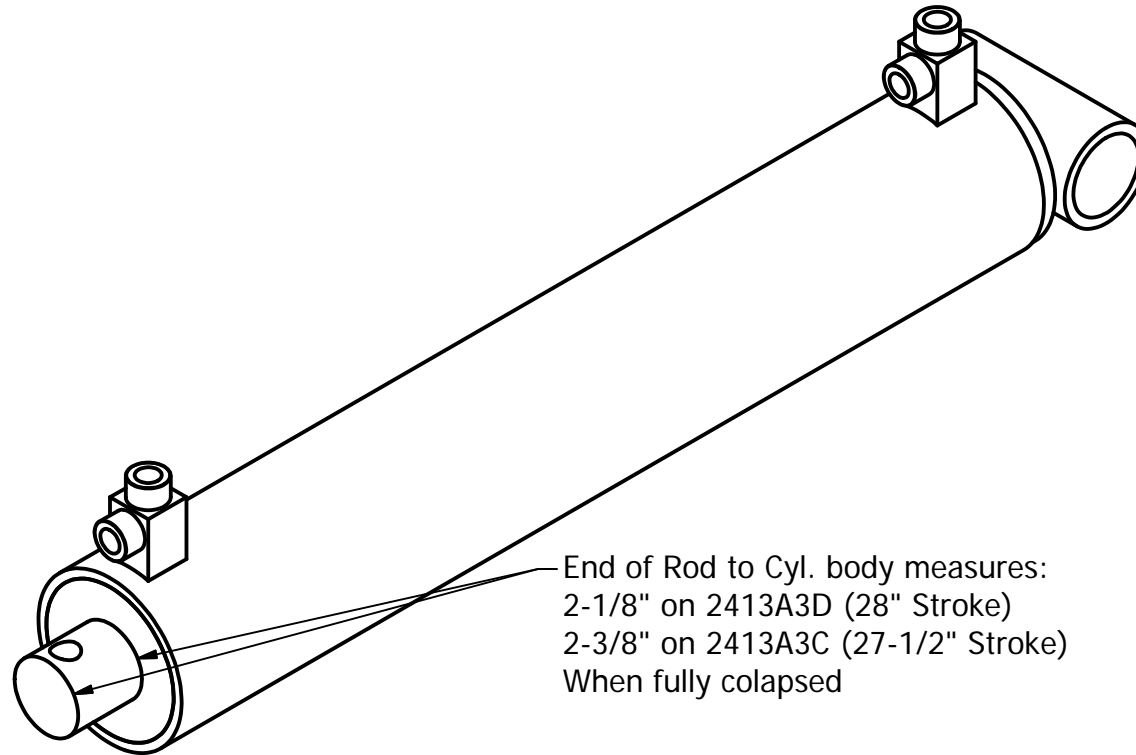
2413A3D has a 28" stroke which forces the stackframe further past center during stacking.

All Cylinders Use Seal Kit # 1490-1686

Hoist Cylinders

Back

Home



End of Rod to Cyl. body measures:
2-1/8" on 2413A3D (28" Stroke)
2-3/8" on 2413A3C (27-1/2" Stroke)
When fully colapsed

S/N 309-Earlier.....2413A3B (Allow 4 to 6 weeks lead time)

S/N 310-539, 541-556.....2413A3C (Can replace B model, must replace both cylinders)

S/N 540, 557-later.....2413A3D (Can replace C model, must replace both cylinders)

2413A3D has a 28" stroke which forces the stackframe further past center during stacking.

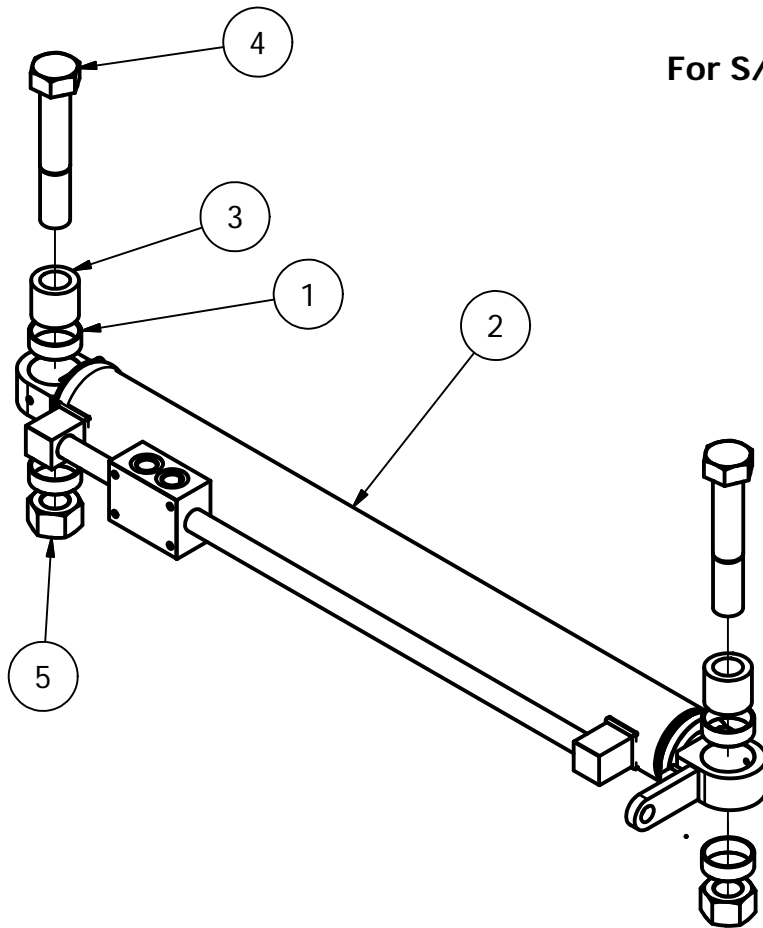
All Cylinders Use Seal Kit # 1490-1686

Lift Cylinder 5530-204

Includes wear sleeves and bushings
(items 1 & 3)

[Home](#)

Back



For S/N 480 and later

PARTS LIST			
ITEM	QTY	PART NUMBER	DESCRIPTION
1	4	1490-5878	Wear Bushing
2	1	5530204	3 X 30 X 2 Welded Cylinder
3	2	5530-130	Cylinder Pivot Bearing
4	2	14905104	HCS 1-1/4 - 12 x 7, Zinc Plate Grade 8
5	2	14902081	Top Lock 1-1/4 - 12, Zinc Plate Grade 8

Cylinder Seal Kit **1490-5019**

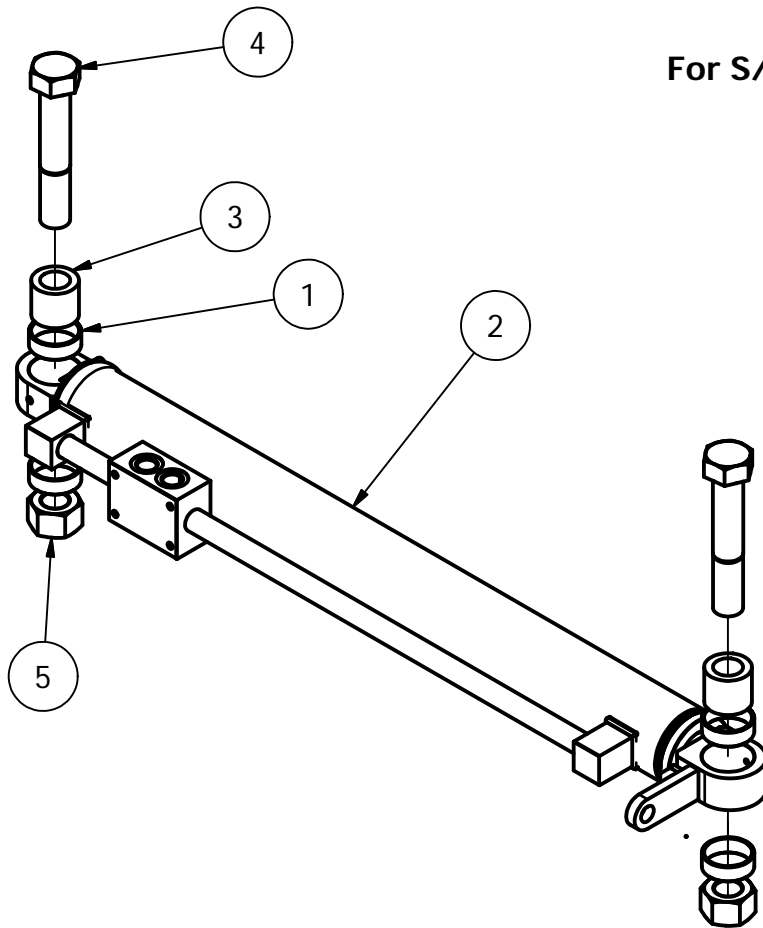
**Older
Cylinders**

Lift Cylinder 5530-204

Includes wear sleeves and bushings
(items 1 & 3)

[Home](#)

Back



For S/N 480 and later

PARTS LIST			
ITEM	QTY	PART NUMBER	DESCRIPTION
1	4	1490-5878	Wear Bushing
2	1	5530204	3 X 30 X 2 Welded Cylinder
3	2	5530-130	Cylinder Pivot Bearing
4	2	14905104	HCS 1-1/4 - 12 x 7, Zinc Plate Grade 8
5	2	14902081	Top Lock 1-1/4 - 12, Zinc Plate Grade 8

Cylinder Seal Kit **1490-5019**

**Older
Cylinders**

Stackframe Assy

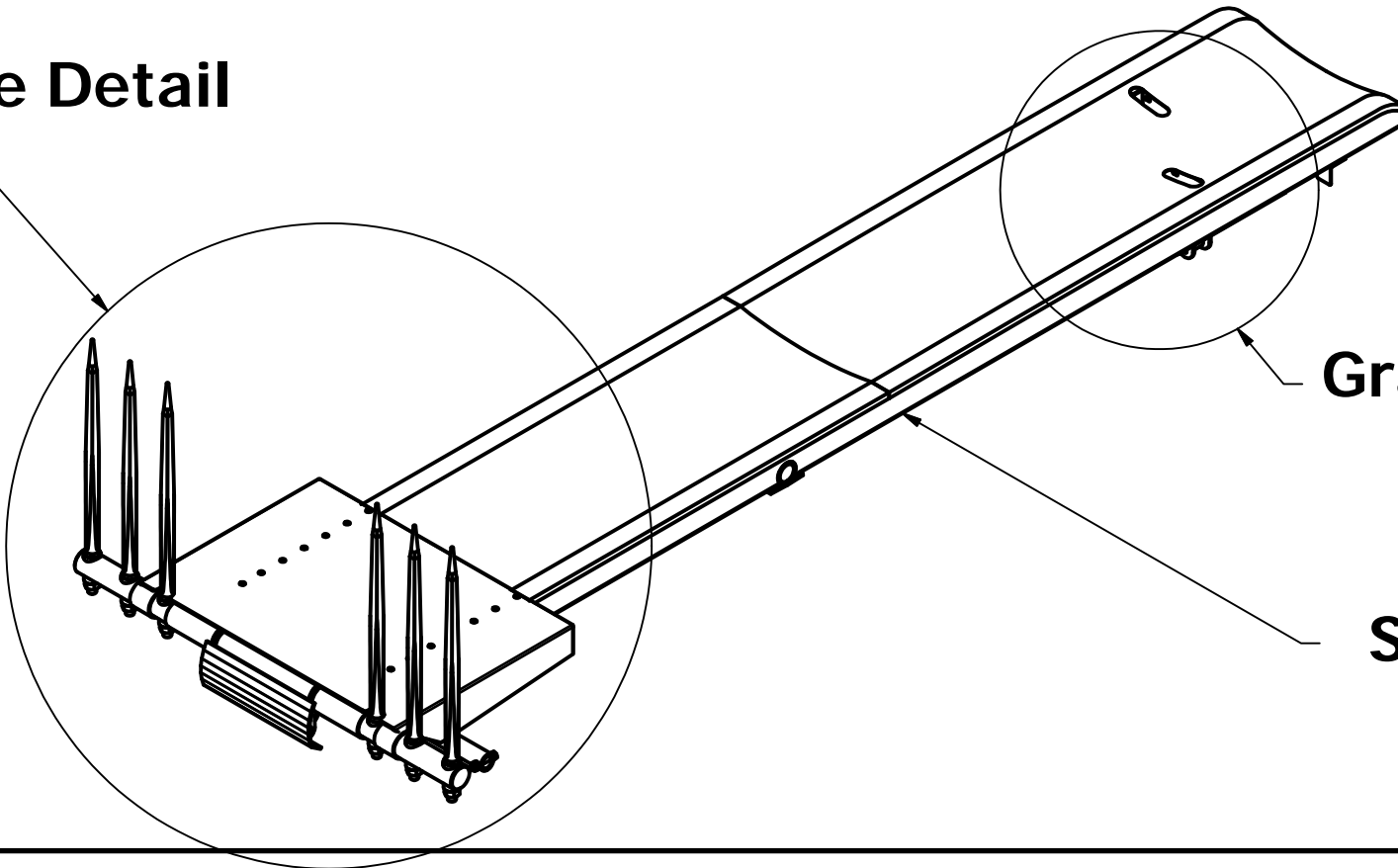
Back

Home

Tailgate Detail

Grapple Detail

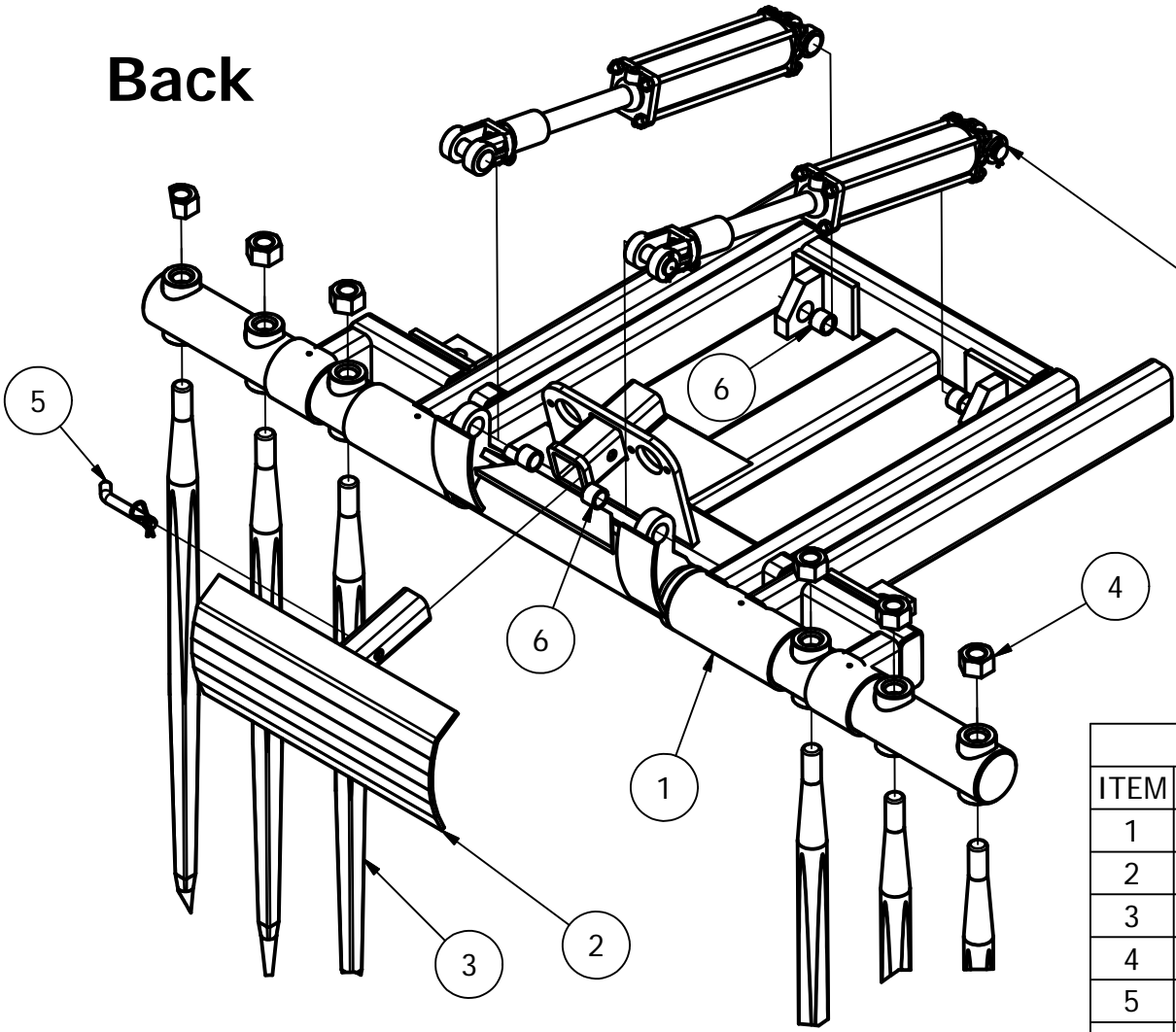
Stackframe



Tailgate Detail

Back

Home



Tailgate Cyl. Detail

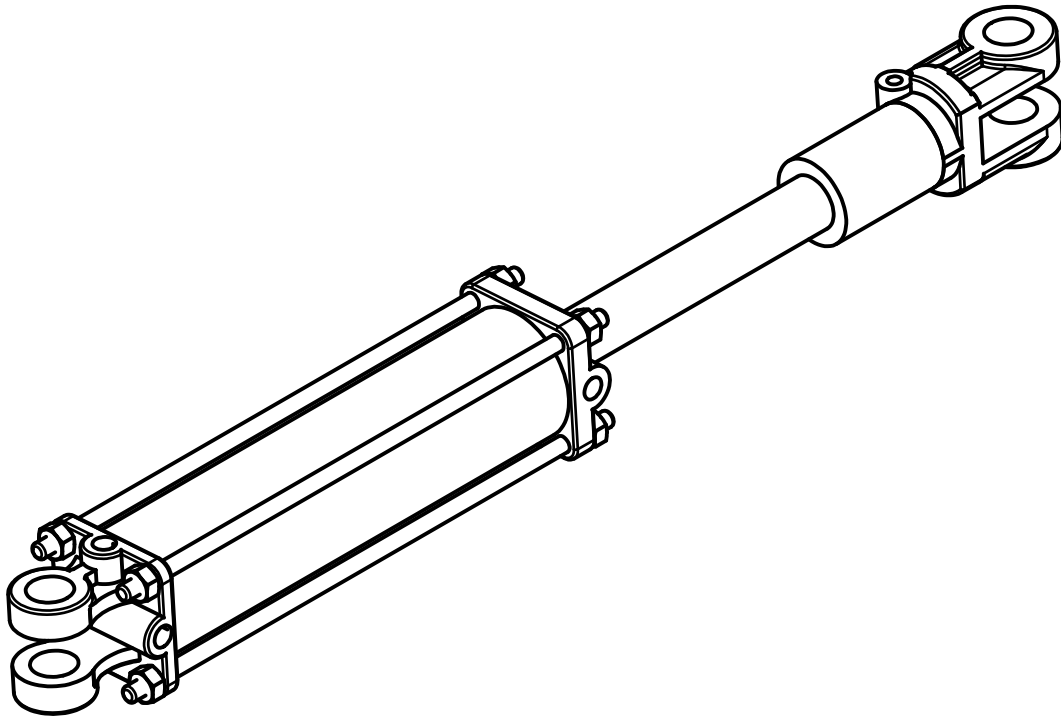
PARTS LIST			
ITEM	QTY	PART NUMBER	DESCRIPTION
1	1	6511A	Stacking Tailgate
2	1	6511-A2	Removable Rear Skidplate
3	6	6134	34" Bale Spear
4	6	1490-4394	Large Course Nut M30 X 2
5	1	1490-6213	Hitch Pin 5/8 X 3 W/Keeper
6	4	14902030	Wear Bushing

Tailgate Cylinder

(With Adjustable Stop Collar)
(New 3" Cylinder can replace old 2-1/2")

[Back](#)

[Home](#)



Cylinder Part Number

1490-2516

(Old 2-1/2" 1490-1892)

Seal Kit Part Number

1490-1874

(Old 2-1/2" 1490-1873)

Cyl Pin Part Number

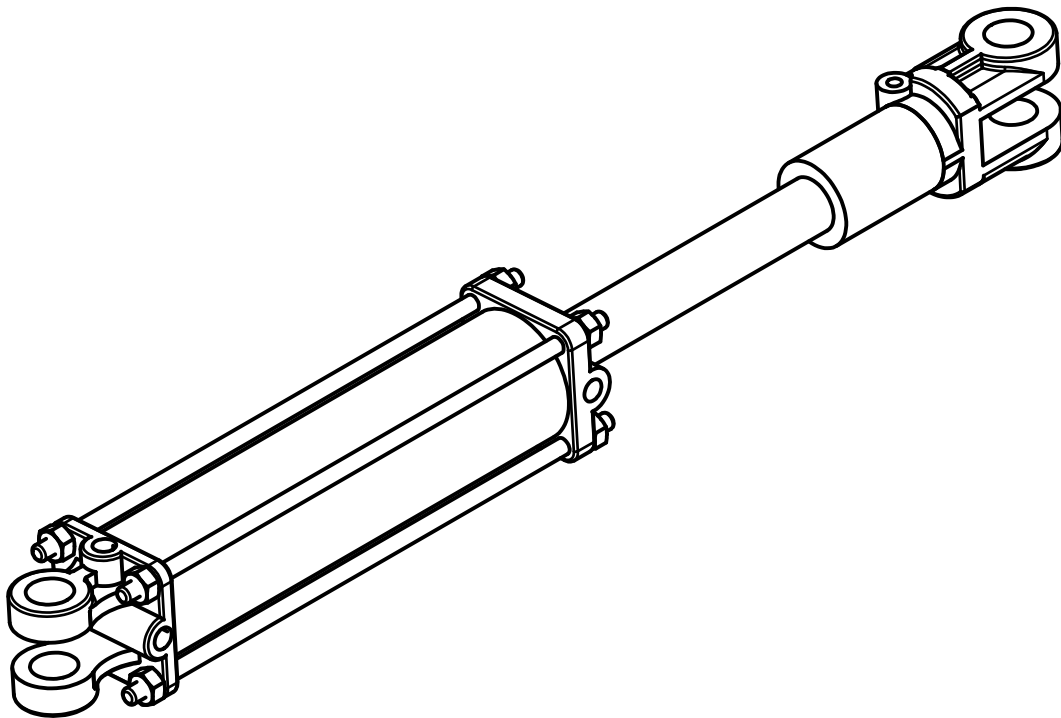
1490-4566

Tailgate Cylinder

(With Adjustable Stop Collar)
(New 3" Cylinder can replace old 2-1/2")

[Back](#)

[Home](#)



Cylinder Part Number

1490-2516

(Old 2-1/2" 1490-1892)

Seal Kit Part Number

1490-1874

(Old 2-1/2" 1490-1873)

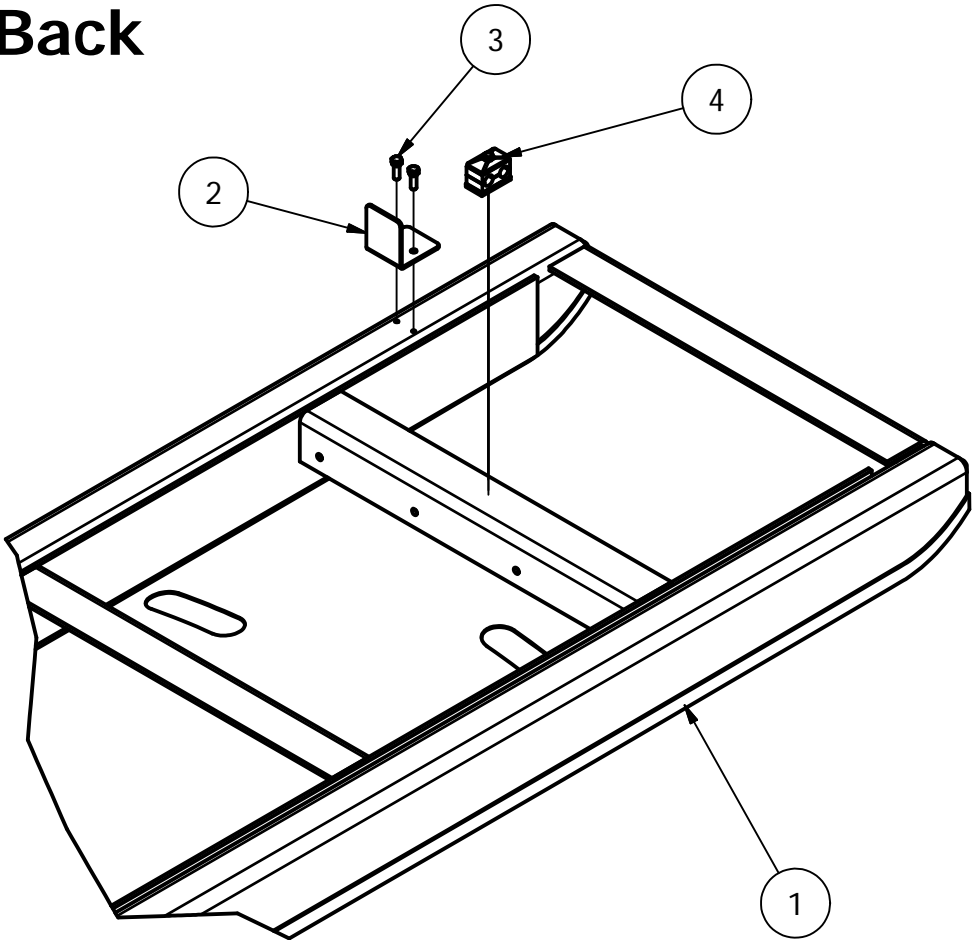
Cyl Pin Part Number

1490-4566

Stackframe Detail B

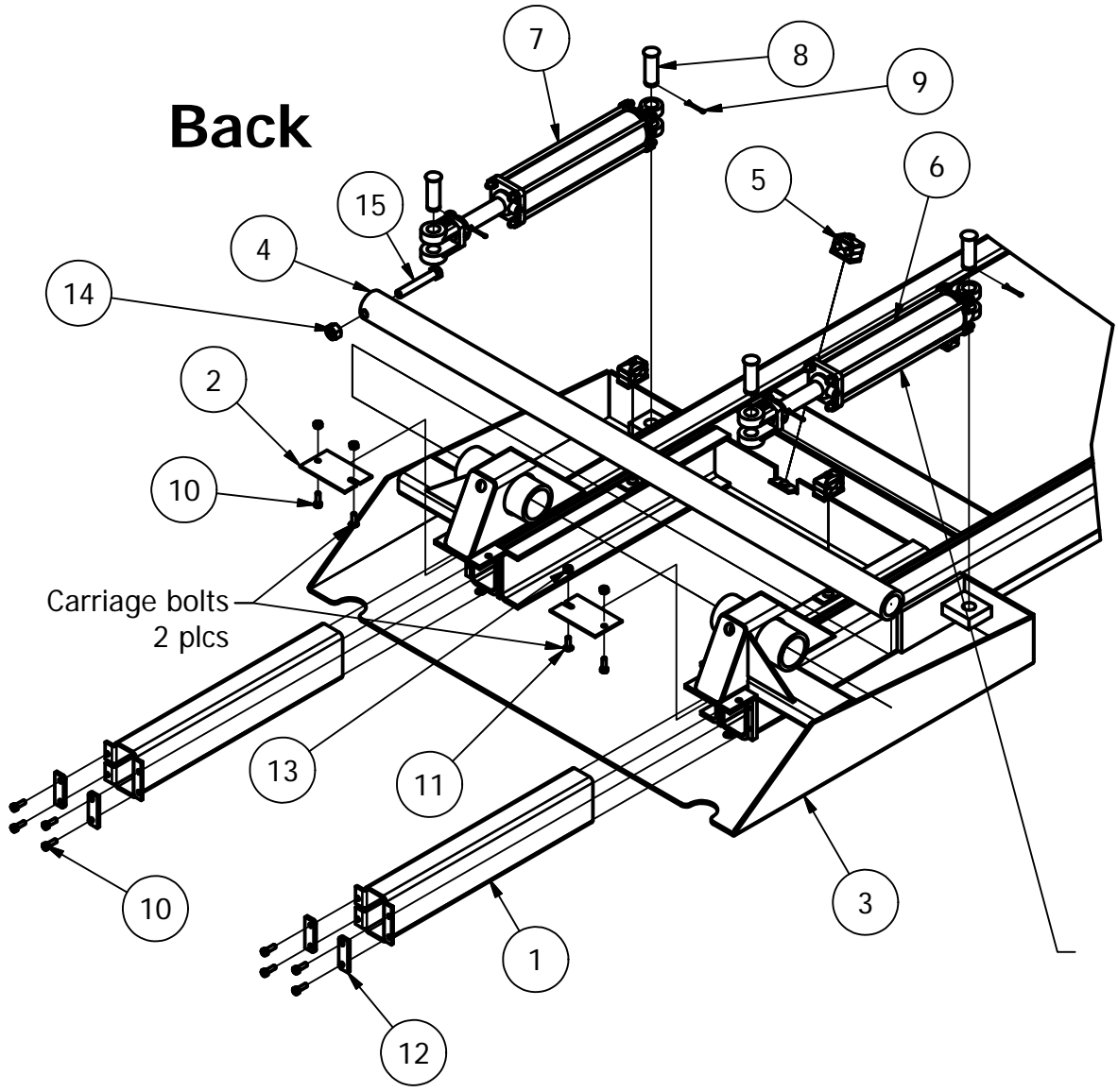
Back

Home



PARTS LIST			
ITEM	QTY	PART NUMBER	DESCRIPTION
1	1	6512AG	Stackframe Weldment
2	1	2410-430	Stack Frame Microswitch Trigger
3	2	5/16-18 X 1	Hex Bolt
4	8	KIT-DBL-.375	3/8" Double Hose Clamp

Stackframe Detail A



Home

PARTS LIST

ITEM	QTY	PART NUMBER	DESCRIPTION
1	2	2410-373	Poly Insert
2	2	2410-368	Tailgate Wear Plate
3	1	6512AG	Stackframe Weldment
4	1	2460-317	Rear Pivot Shaft
5	8	KIT-DBL-.375	3/8" Double Hose Clamp
6	1	1490-3063	LH Stackdown Cylinder
7	1	1490-3064	RH Stackdown Cylinder
8	4	2.75 Cyl Pin	
9	4	Cotter Pin	1/8 X 1-3/8 Cotter Pin
10	12	5/16-18 X 1	Hex Bolt
11	2	5/16 X 1 Carriage Bolt	5/16 X 1 Carriage Bolt
12	4	2460-320	Squeeze Poly Strap
13	4	5/16 - 18	Hex Nut
14	1	5/8 Nut	5/8 Hex Nut
15	1	5/8 X 4 Bolt	5/8 X 4 Bolt

Stackdown Cylinder Details

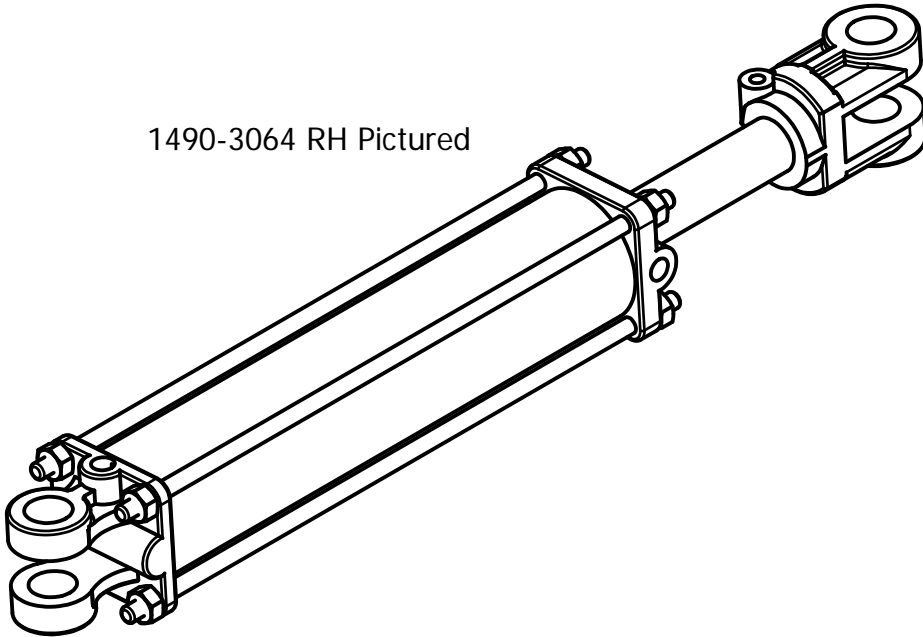
Stackdown Cylinders

(1490-3063 & 1490-3064)

Back

Home

1490-3064 RH Pictured



1490-3063 LH Rod end
ports from opposite sides

Use seal Kit #1490-1873



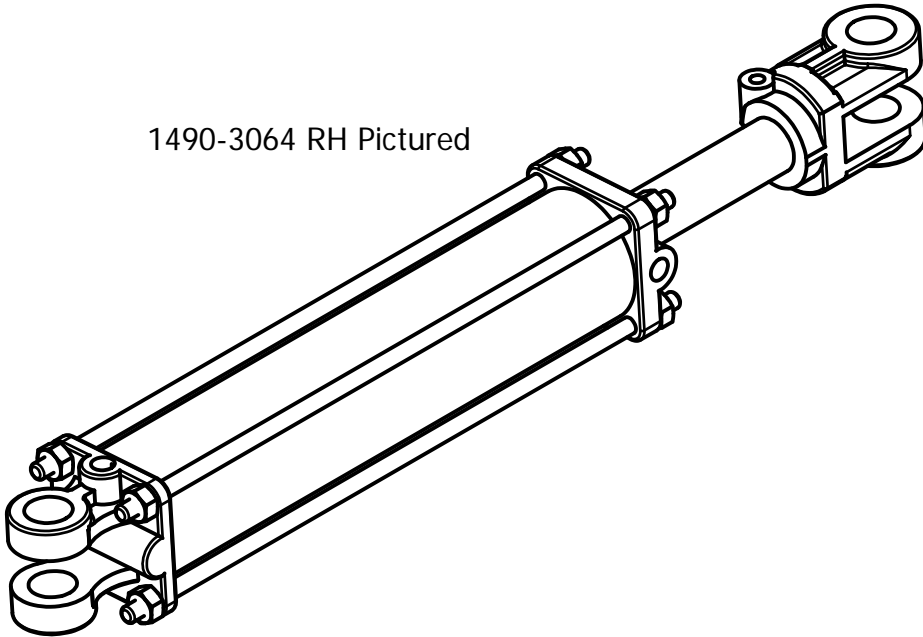
Stackdown Cylinders

(1490-3063 & 1490-3064)

Back

Home

1490-3064 RH Pictured



1490-3063 LH Rod end
ports from opposite sides

Use seal Kit #1490-1873



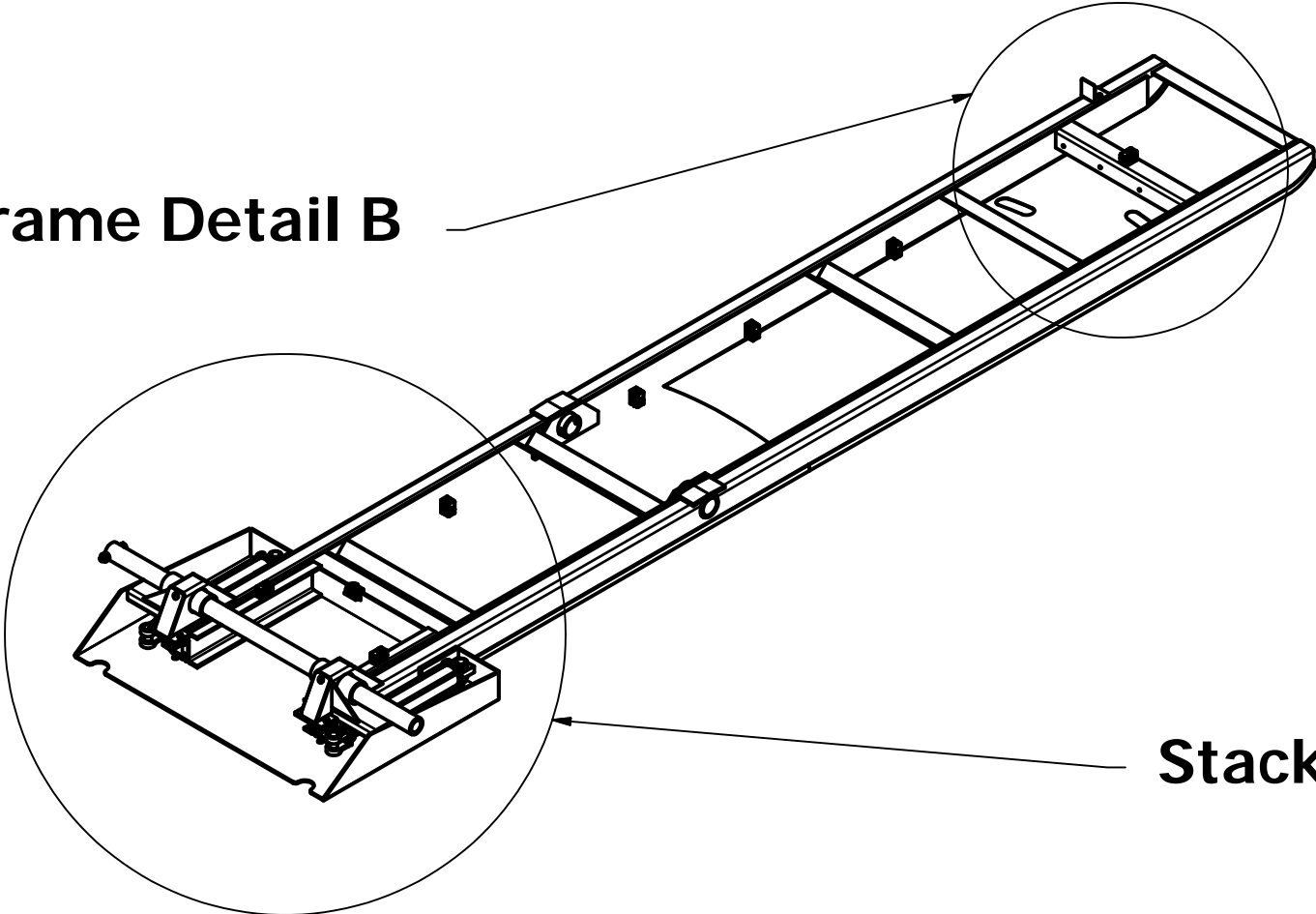
Stackframe

Back

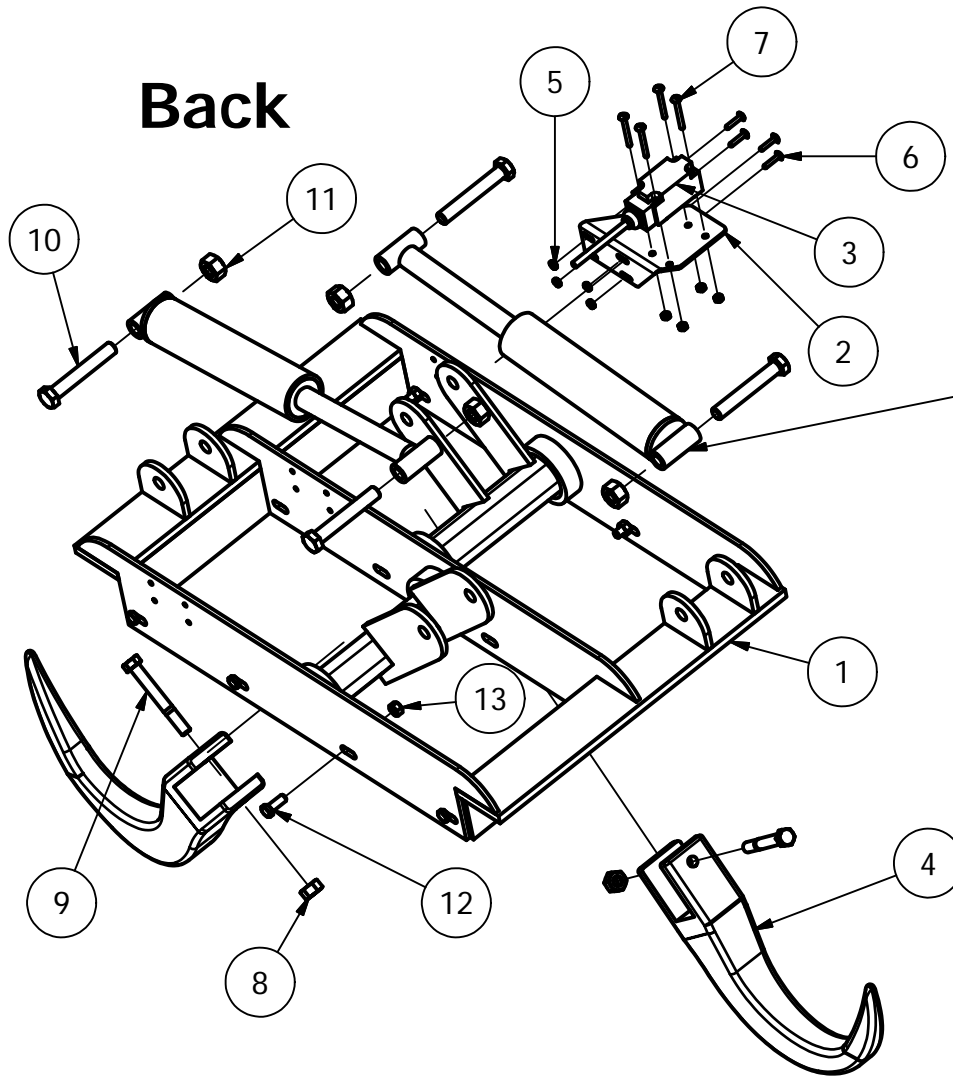
Home

Stackframe Detail B

Stackframe Detail A



Grapple Detail



Home

Grapple Cyl Detail

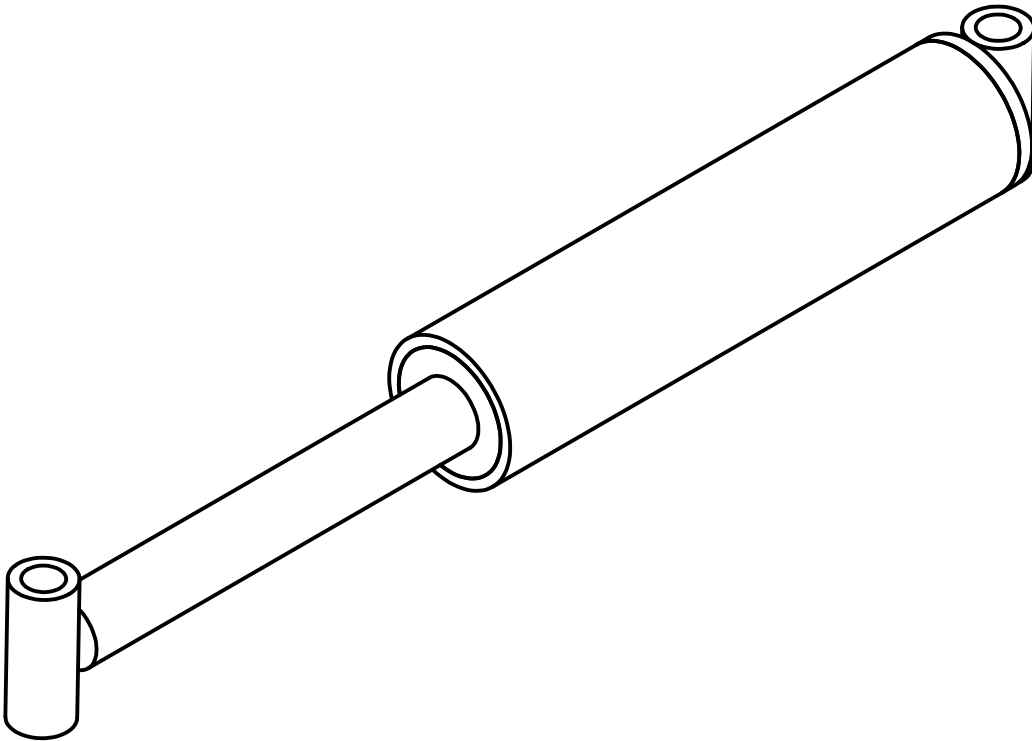
PARTS LIST			
ITEM	QTY	PART NUMBER	DESCRIPTION
1	1	2414A	Bolt On Grapple Assembly
2	1	2410-509	Limit Switch Bracket
3	1	1490-5764	Limit Switch w/Spring Arm
4	2	14902210	Grapple Tooth
5	8	10-24	Machine Nut
6	4	10-24 X 1	Machine Screw
7	4	10-24 X 2	Machine Screw
8	2	1/2-13 Nut	Hex Nut
9	2	1/2-13 X 4	Hex Bolt
10	4	5/8 X 4 Bolt	5/8 X 4 Bolt
11	4	5/8 Nut	5/8 Hex Nut
12	8	3/8 X 1	Bolt
13	8	3/8	Hex Nut

Complete Kit to add a Grapple 2009 and Newer - KIT:14806514

Grapple Cylinder Detail

Back

Home



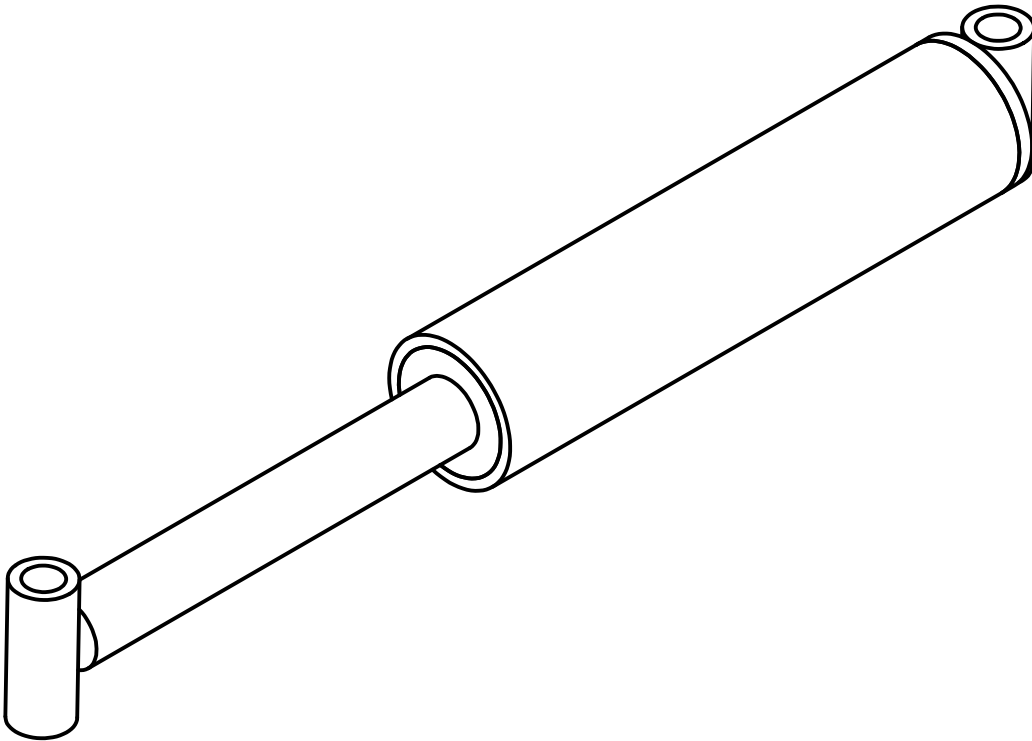
**Grapple Cyl. Part Number
2414A2**

**Seal Kit Number
1490-6391**

Grapple Cylinder Detail

Back

Home



**Grapple Cyl. Part Number
2414A2**

**Seal Kit Number
1490-6391**



6500 Primary Control Valve

S/N 479 & Earlier

Part # 1490-5787 Complete

Part # 1490-5845 Manifold Only

Back

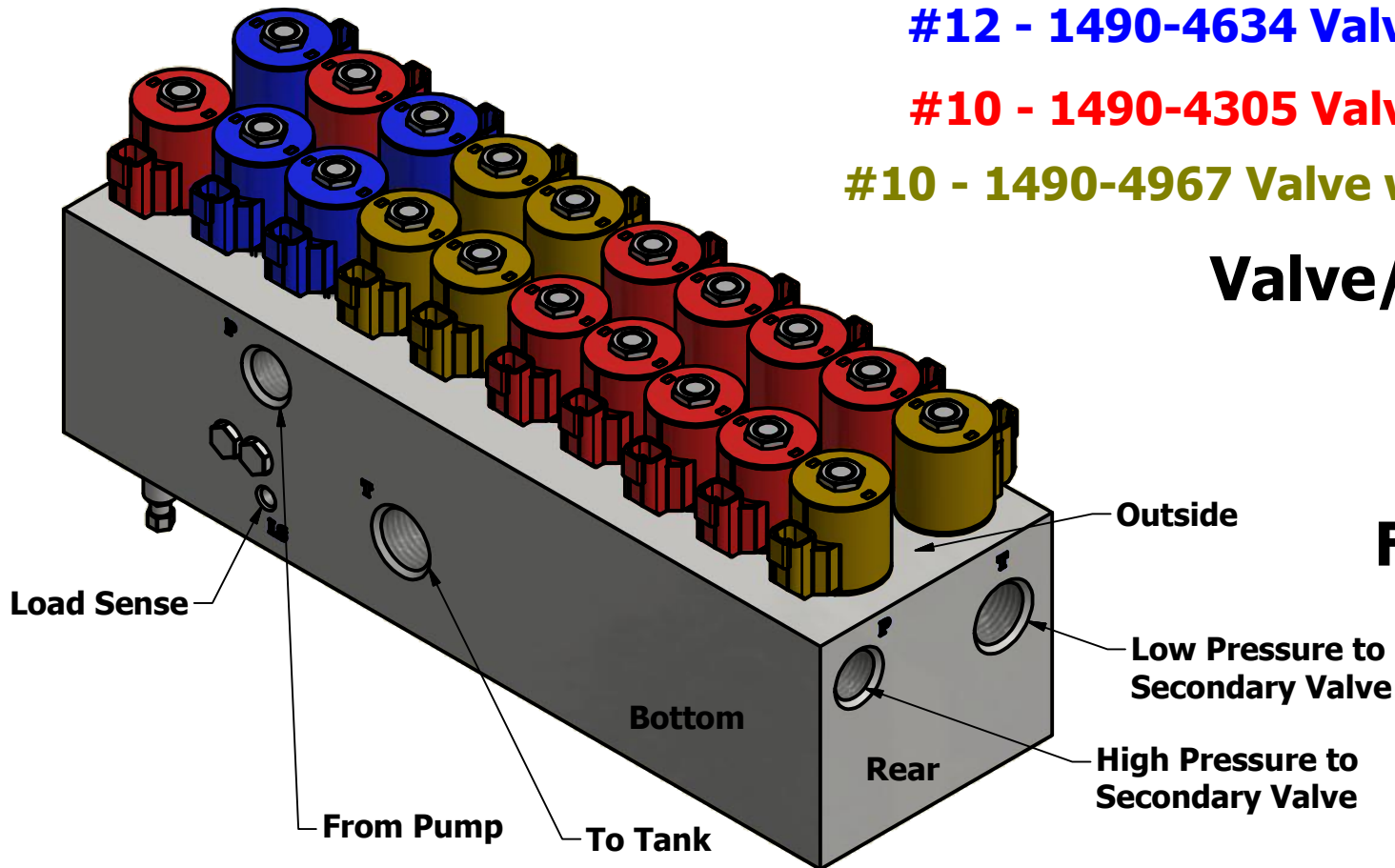
Home

#12 - 1490-4634 Valve & 1490-4308 Coil

#10 - 1490-4305 Valve & 1490-4308 Coil

#10 - 1490-4967 Valve w/CV & 1490-5002 Coil

Valve/Coil Assignments



Function Testing

Other Sides

6500 Primary Control Valve

S/N 479 & Earlier

Part # 1490-5787 Complete

Part # 1490-5845 Manifold Only

[Back](#)

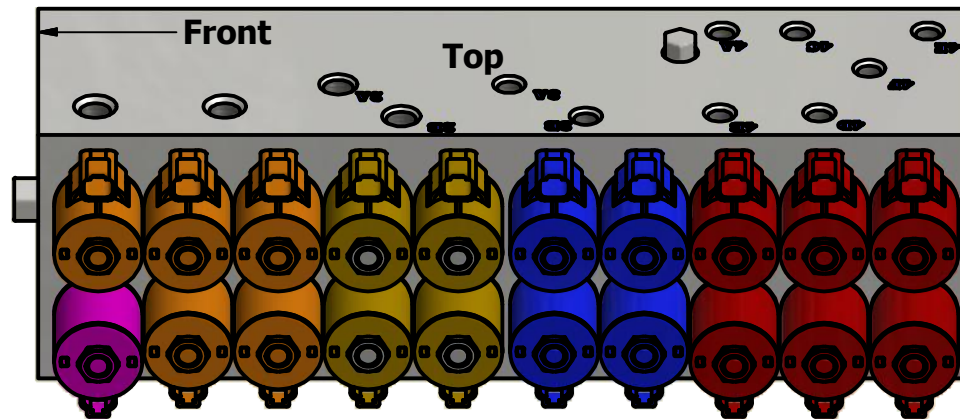
[Home](#)

Valve/Coil Assignments

Tilt Valves **Tailgate Valves**

Front Lift Valves

1/4 Turn Valves



Multi-Purpose Valve

Looking From the LH Side of the Machine

6500 Primary Control Valve

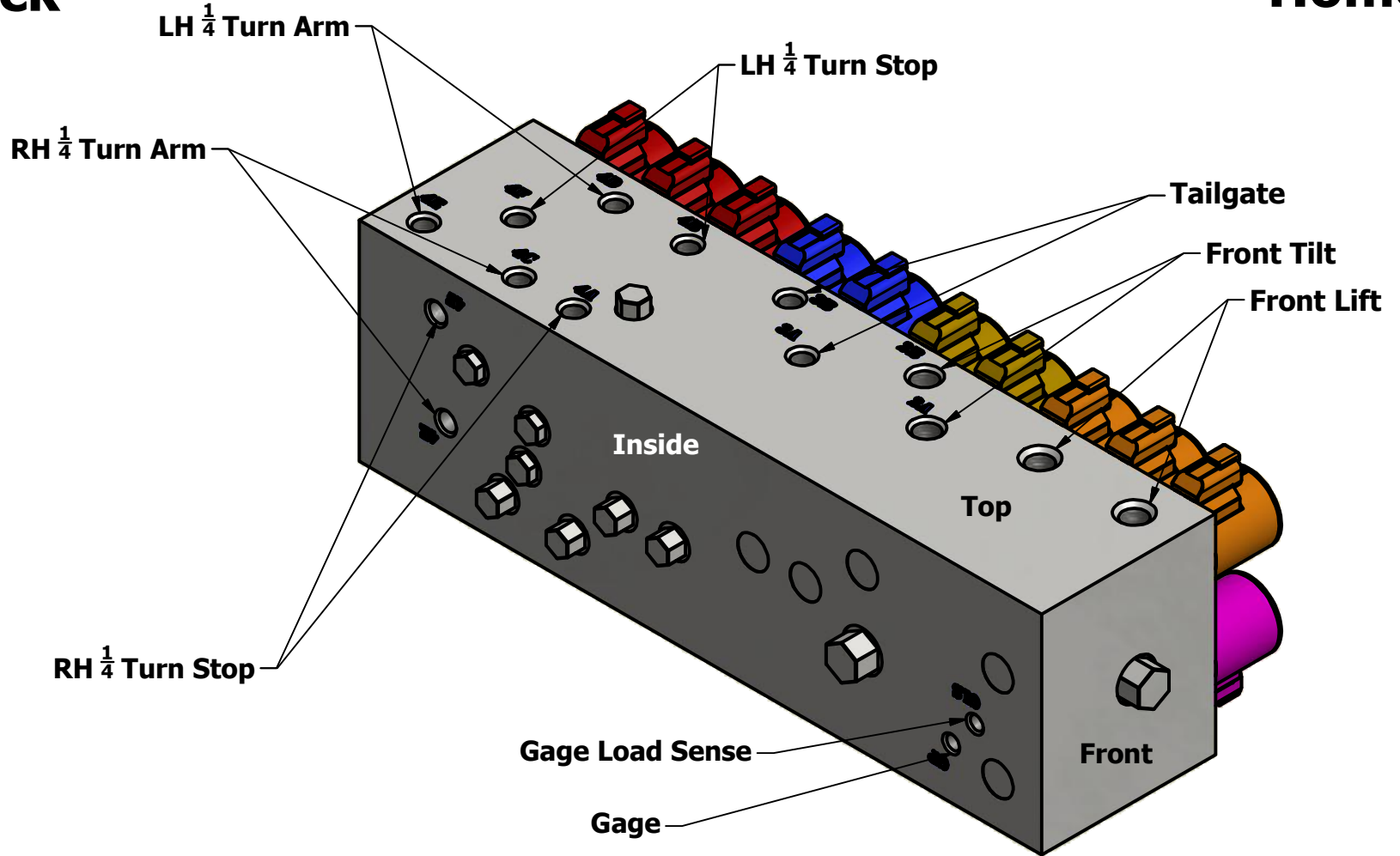
S/N 479 & Earlier

Part # 1490-5787 Complete

Part # 1490-5845 Manifold Only

Back

Home



1490-5787 Primary Control Valve Function Testing

Back

Home

Relays Activated

1	3	5	7	9	11	13	15	17	19	21	23	25	27
2	4	6	8	10	12	14	16	18	20	22	24	26	

Up

Down

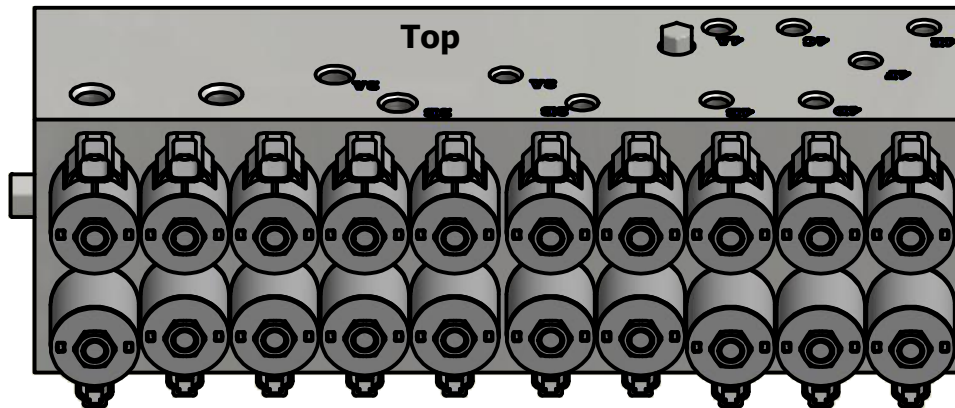
With $\frac{1}{4}$ Turn **On**
Frontend (Bottom)
Frontend (Tilted)
Frontend (Top)

With $\frac{1}{4}$ Turn **Off**
Frontend (Bottom)
Frontend (Tilted)
Frontend (Top)

Tailgate

Coils Energized

← **Front** **Looking From Left Side of Machine**



With $\frac{1}{4}$ Turn **On**
Frontend (Bottom)
Frontend (Tilted)
Frontend (Top)

With $\frac{1}{4}$ Turn **Off**
Frontend (Bottom)
Frontend (Tilted)
Frontend (Top)

Tailgate

1490-5788 Secondary Control Valve Function Testing

Back

Relays Activated

Home

1	2	3	4	5	6	7	8	9	10	11	12	13	14	15	16	17	18	19	20	21	22	23	24	25	26	27
---	---	---	---	---	---	---	---	---	----	----	----	----	----	----	----	----	----	----	----	----	----	----	----	----	----	----

Up

Coils Energized

Down

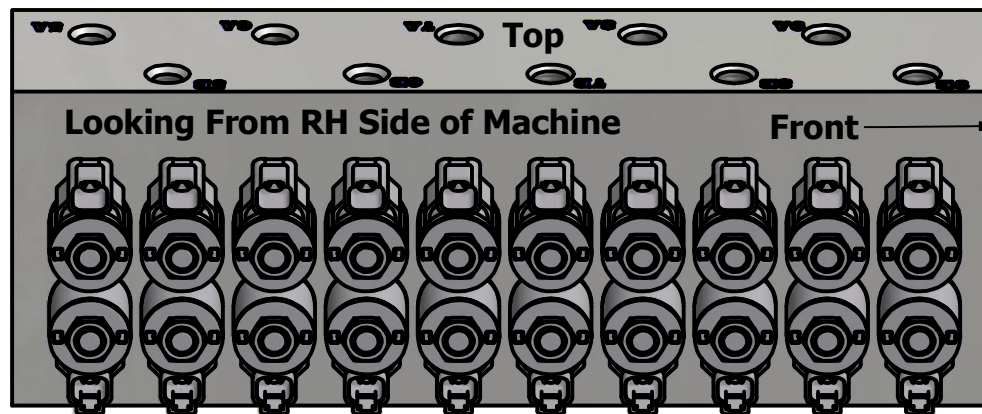
Stackframe

Hoist

Squeeze Rails (IN)

Grapple (Engage)

Bale Stop



Stackframe

Hoist

Squeeze Rails (OUT)

Grapple (Disengage)

Bale Stop

6500 Secondary Control Valve

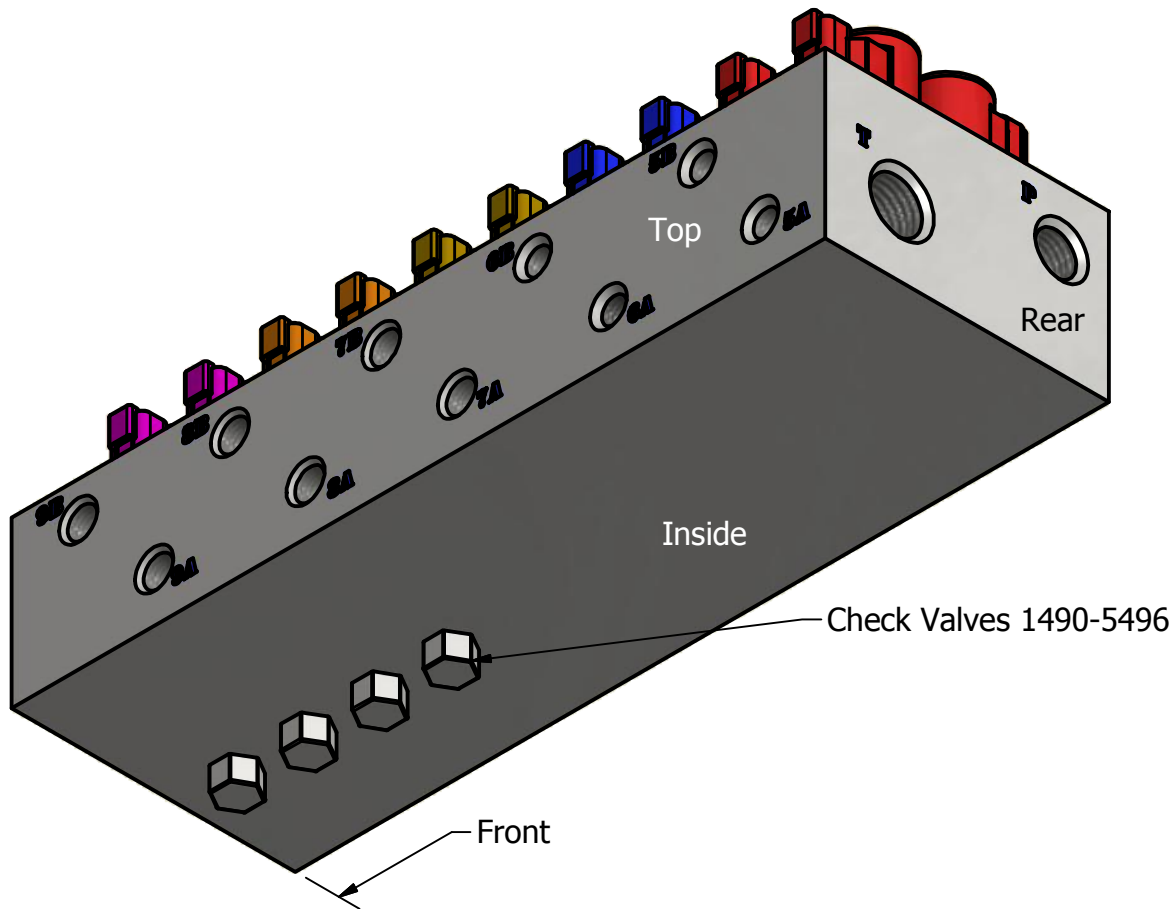
S/N 479 & Earlier

Part # 1490-5788 Complete

Part # 1490-5846 Manifold Only

Back

Home



6500 Secondary Control Valve

S/N 479 & Earlier

Part # 1490-5788 Complete

Part # 1490-5846 Manifold Only

[Back](#)

[Home](#)

Valve/Coil Assignments

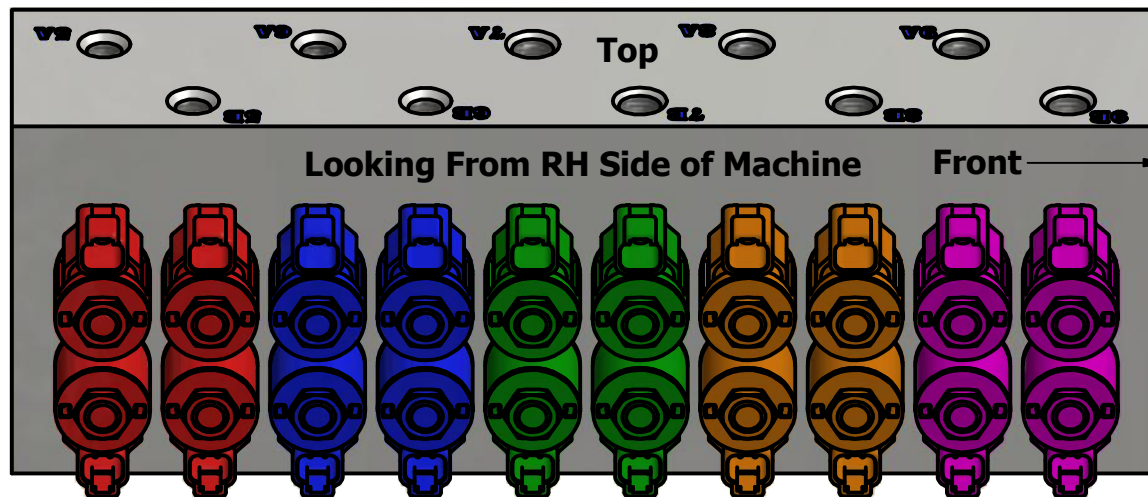
Grapple Valves

Hoist Valves

Bale Stop Valves

Squeeze Valves

Stackdown Valves



6500 Secondary Control Valve

S/N 479 & Earlier

Part # 1490-5788 Complete

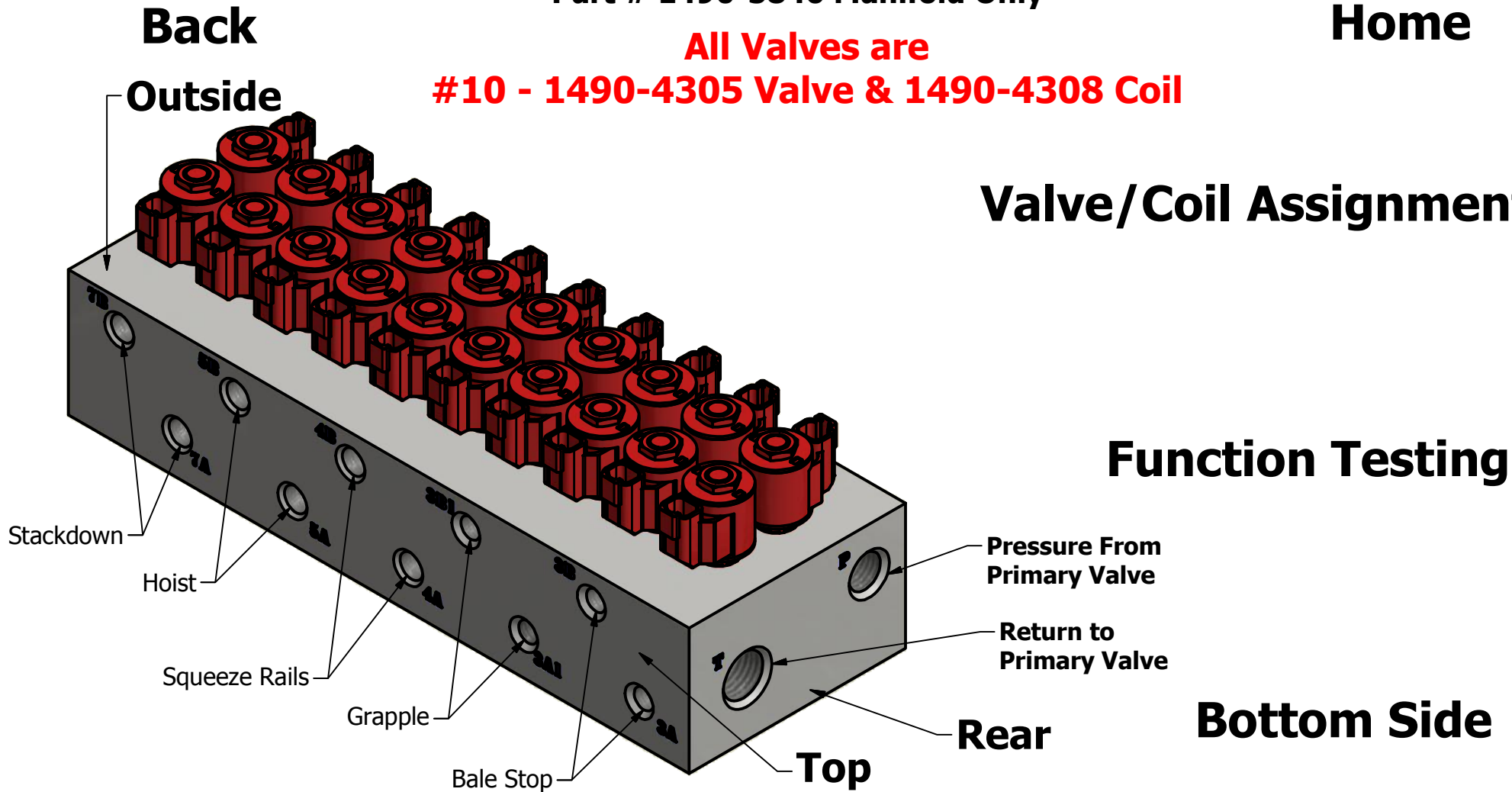
Part # 1490-5846 Manifold Only

Home

**All Valves are
#10 - 1490-4305 Valve & 1490-4308 Coil**

Valve/Coil Assignments

Function Testing

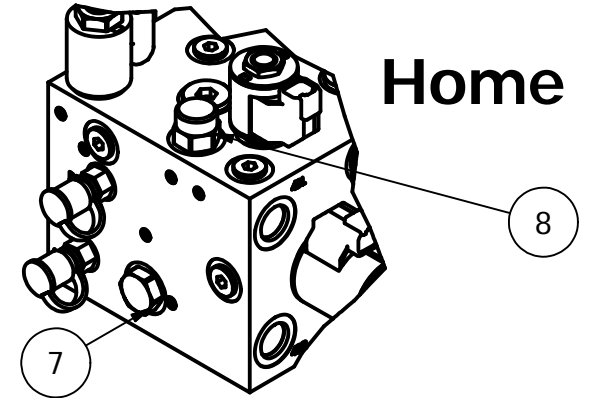


Main Control Valve

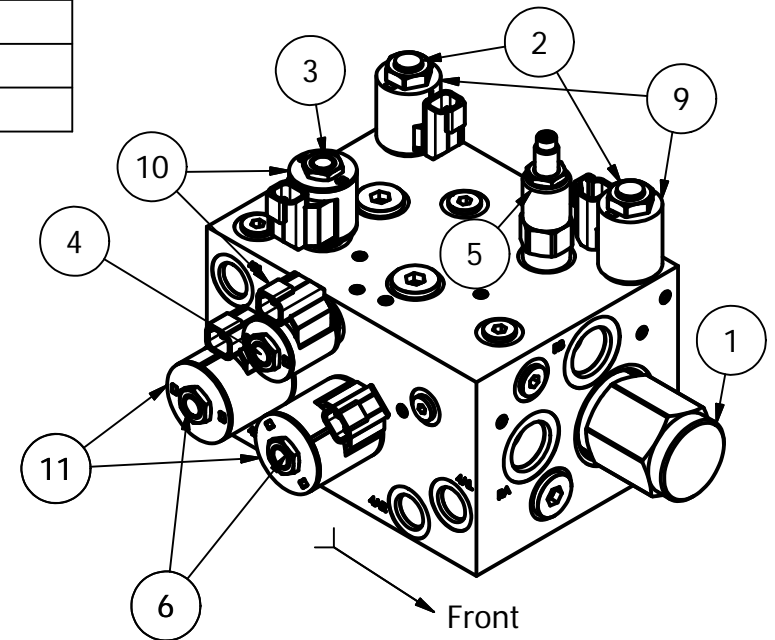
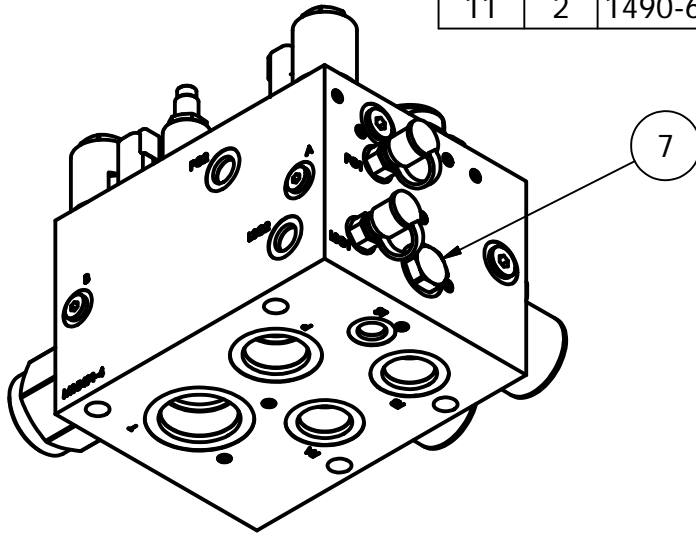
(Complete Assy 1490-5870)

Back

PARTS LIST			
ITEM	QTY	PART NUMBER	DESCRIPTION
1	1	1490-6302	Main 4-way control valve
2	2	1490-5916	EHPR Proportional Relief
3	1	1490-6305	#8 Prop. Valve
4	1	1490-6306	#8 Cartridge Valve
5	1	1490-5925	Relief Valve Main
6	2	1490-5918	Size 10 2-Way
7	1	1490-6569	Shuttle Valve
8	1	1490-6199	Flow Regulator 1.25 gal/min
9	2	1490-5917	EHPR #8 Coil
10	2	1490-6248	12VDC #8 ER Coil
11	2	1490-6588	SV Coil



Home



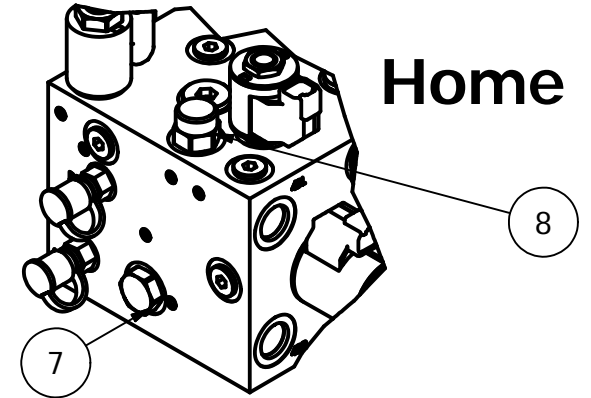
Front

Main Control Valve

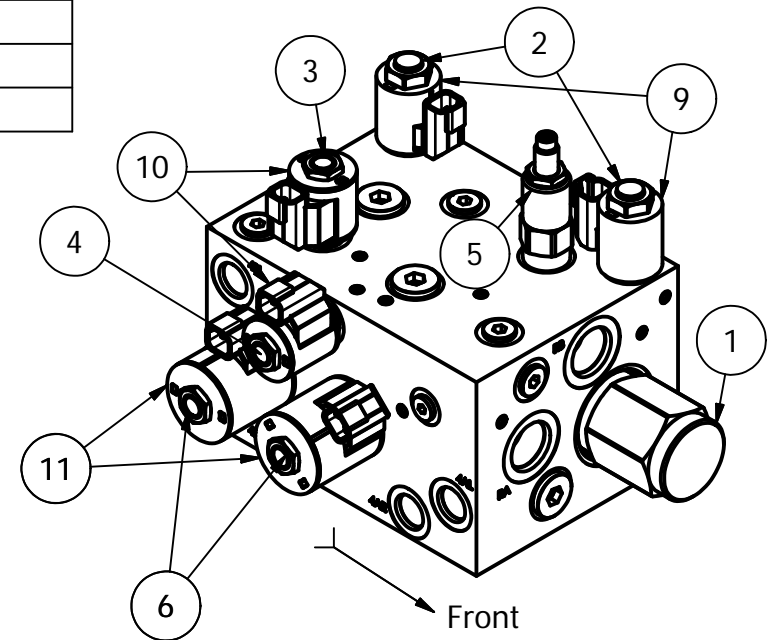
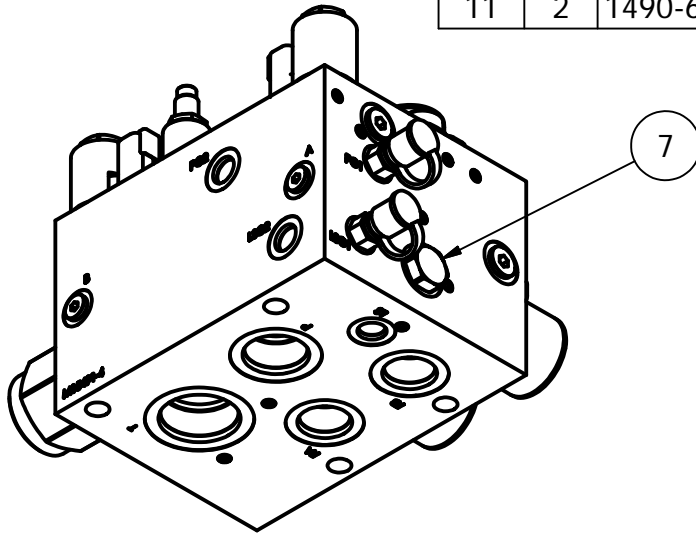
(Complete Assy 1490-5870)

Back

PARTS LIST			
ITEM	QTY	PART NUMBER	DESCRIPTION
1	1	1490-6302	Main 4-way control valve
2	2	1490-5916	EHPR Proportional Relief
3	1	1490-6305	#8 Prop. Valve
4	1	1490-6306	#8 Cartridge Valve
5	1	1490-5925	Relief Valve Main
6	2	1490-5918	Size 10 2-Way
7	1	1490-6569	Shuttle Valve
8	1	1490-6199	Flow Regulator 1.25 gal/min
9	2	1490-5917	EHPR #8 Coil
10	2	1490-6248	12VDC #8 ER Coil
11	2	1490-6588	SV Coil



Home



Front

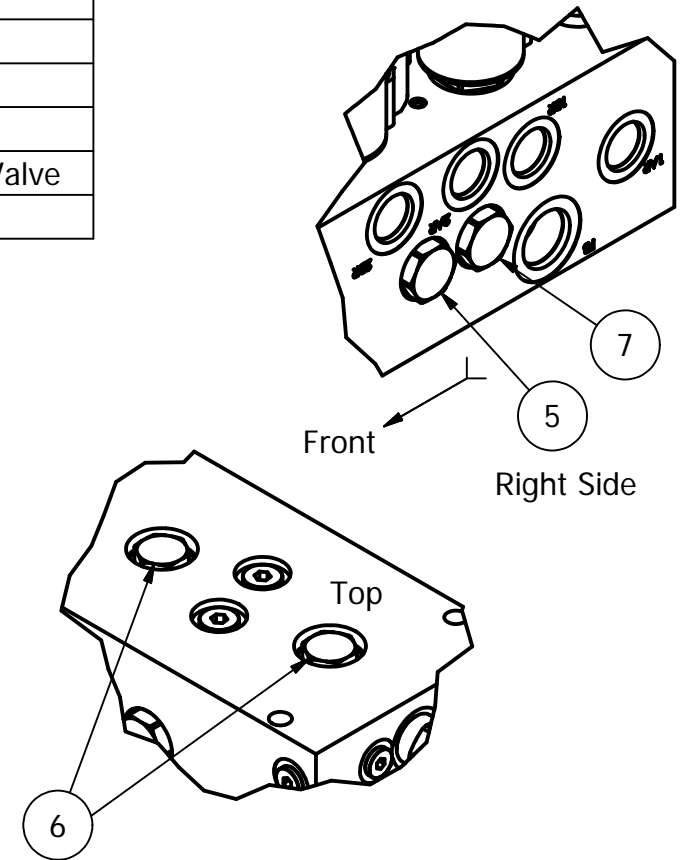
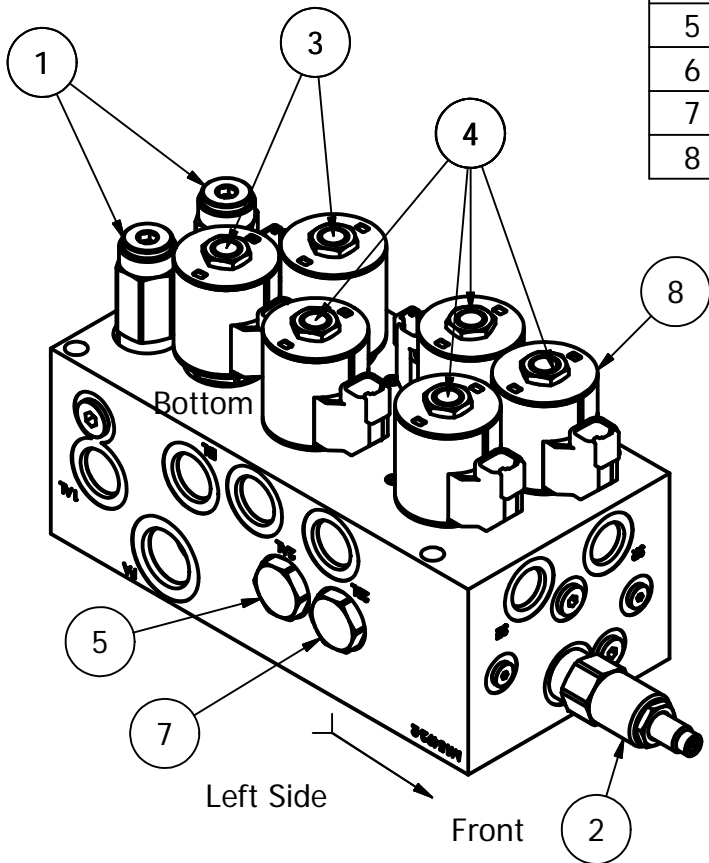
Frontend Control Valve

(1490-5871)

PARTS LIST			
ITEM	QTY	PART NUMBER	DESCRIPTION
1	2	1490-5926	Relief Valve Front Down
2	1	1490-5924	Relief Valve Front/Rear
3	2	1490-5919	Size 12 2-Way
4	4	1490-5918	Size 10 2-Way
5	2	1490-5922	Size 10 Check Valve
6	2	1490-5923	Size 08 Check Valve
7	2	1490-5921	Pilot Check Cartridge Valve
8	6	1490-5920	SV Coil

Back

Home



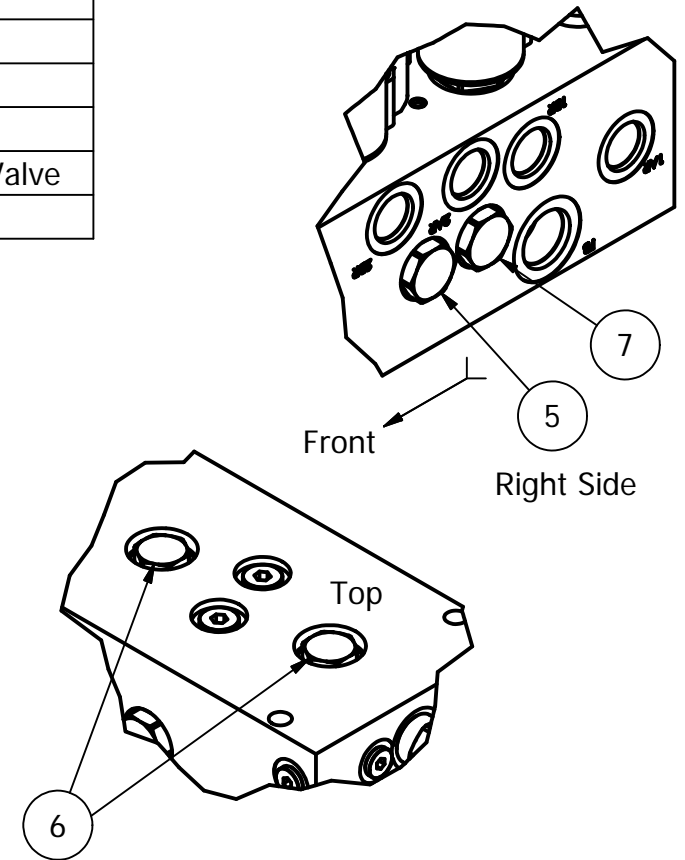
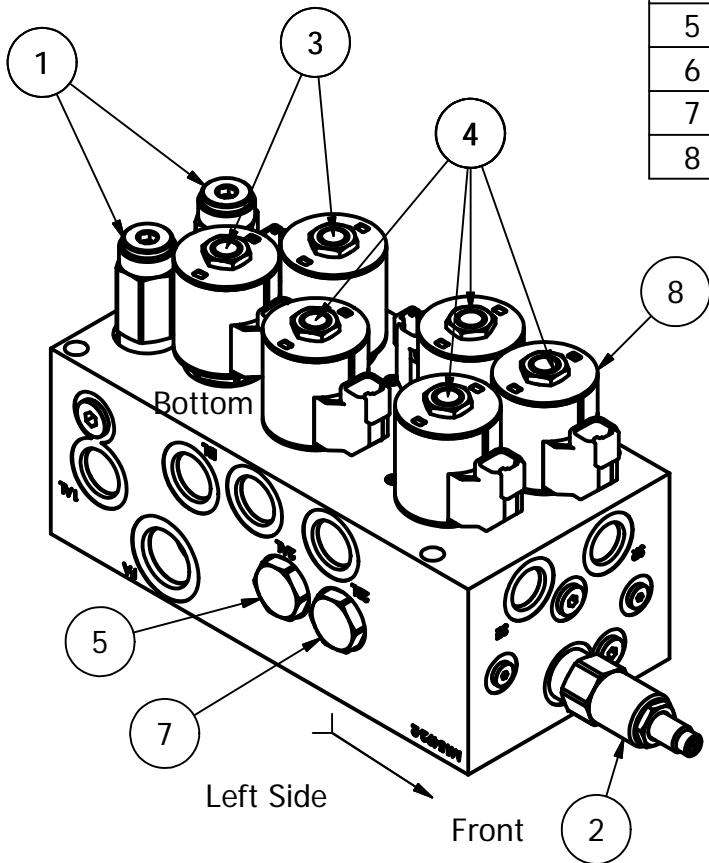
Frontend Control Valve

(1490-5871)

PARTS LIST			
ITEM	QTY	PART NUMBER	DESCRIPTION
1	2	1490-5926	Relief Valve Front Down
2	1	1490-5924	Relief Valve Front/Rear
3	2	1490-5919	Size 12 2-Way
4	4	1490-5918	Size 10 2-Way
5	2	1490-5922	Size 10 Check Valve
6	2	1490-5923	Size 08 Check Valve
7	2	1490-5921	Pilot Check Cartridge Valve
8	6	1490-5920	SV Coil

Back

Home



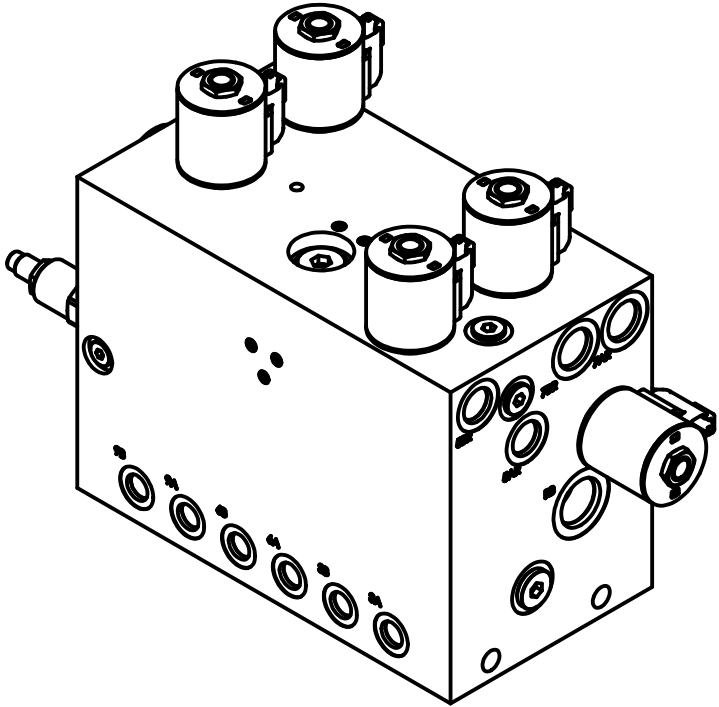
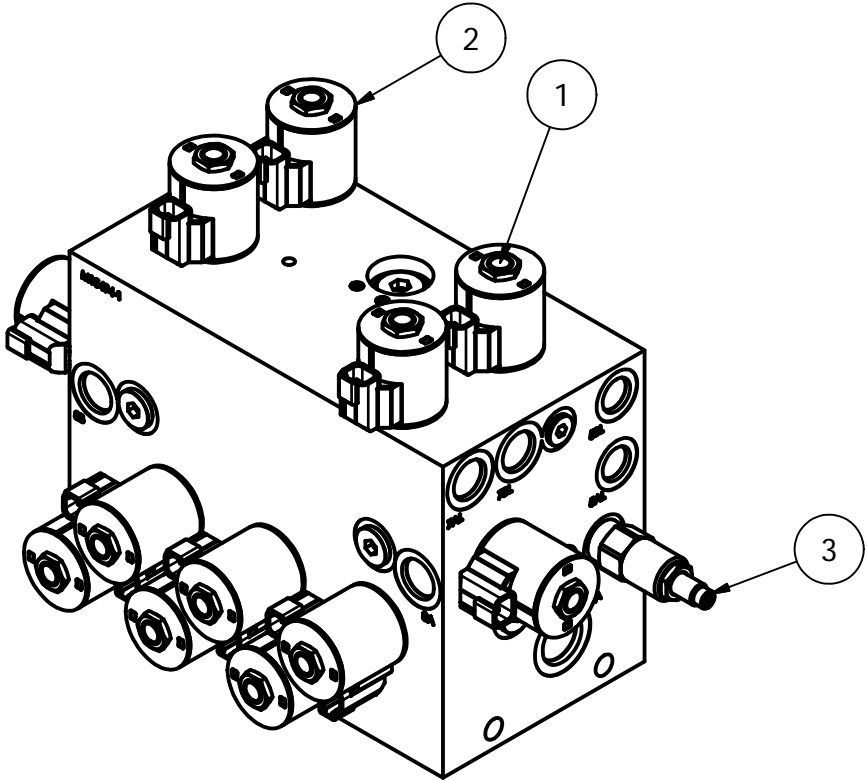
Rear Control Valve

(1490-5873)

Back

PARTS LIST			
ITEM	QTY	PART NUMBER	DESCRIPTION
1	12	1490-5918	Size 10 2-Way
2	12	1490-5920	SV Coil
3	1	1490-5924	Relief Valve Front/Rear

Home



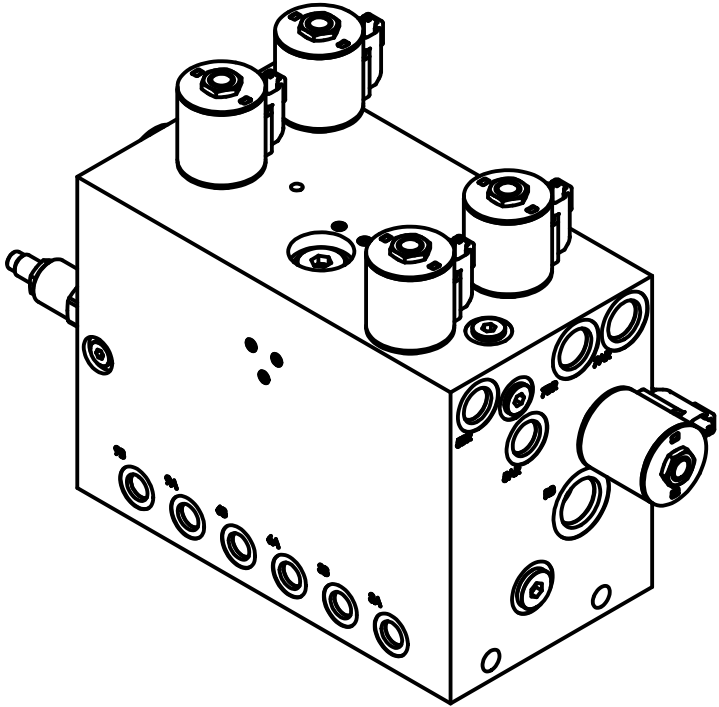
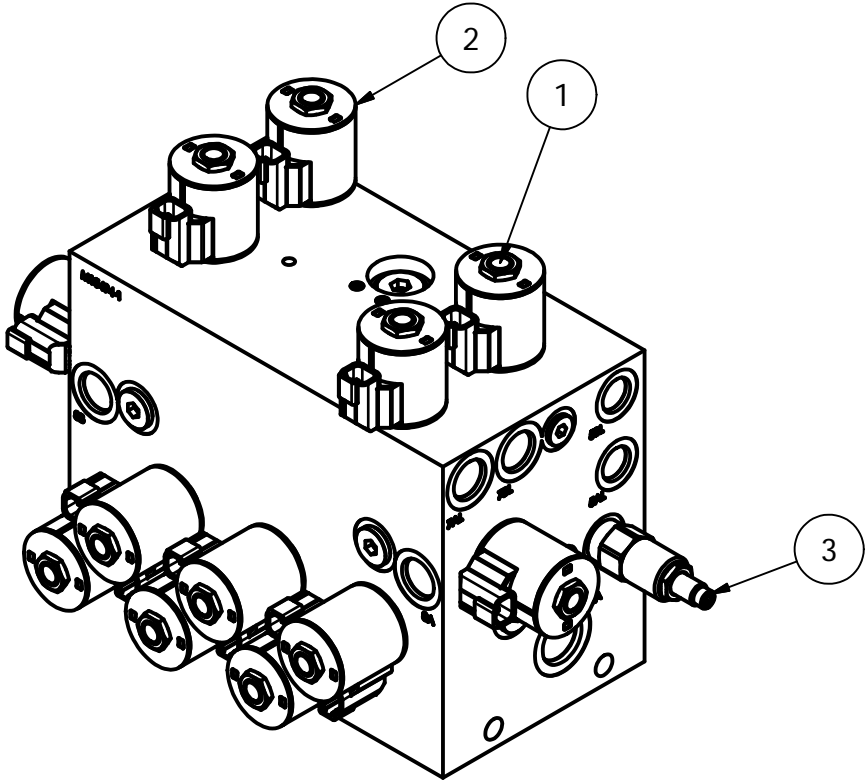
Rear Control Valve

(1490-5873)

Back

PARTS LIST			
ITEM	QTY	PART NUMBER	DESCRIPTION
1	12	1490-5918	Size 10 2-Way
2	12	1490-5920	SV Coil
3	1	1490-5924	Relief Valve Front/Rear

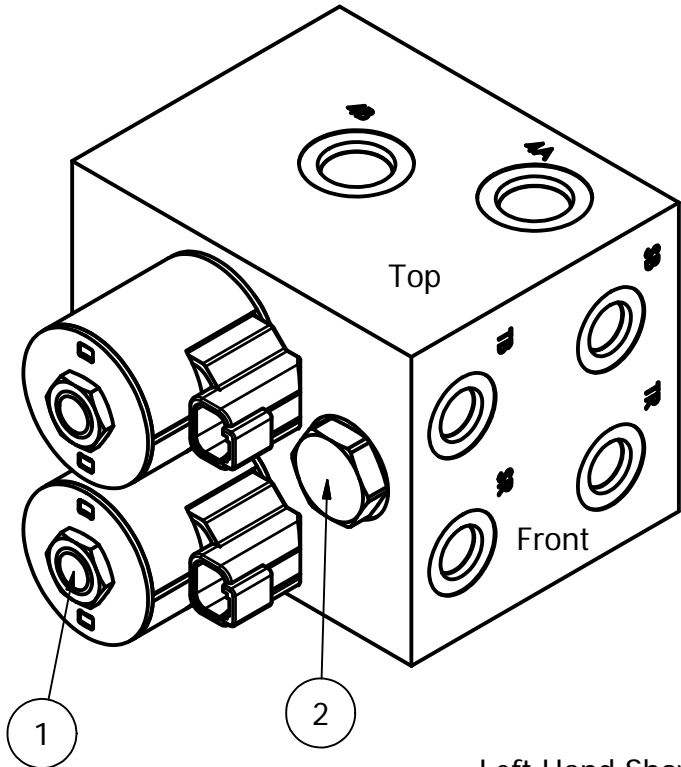
Home



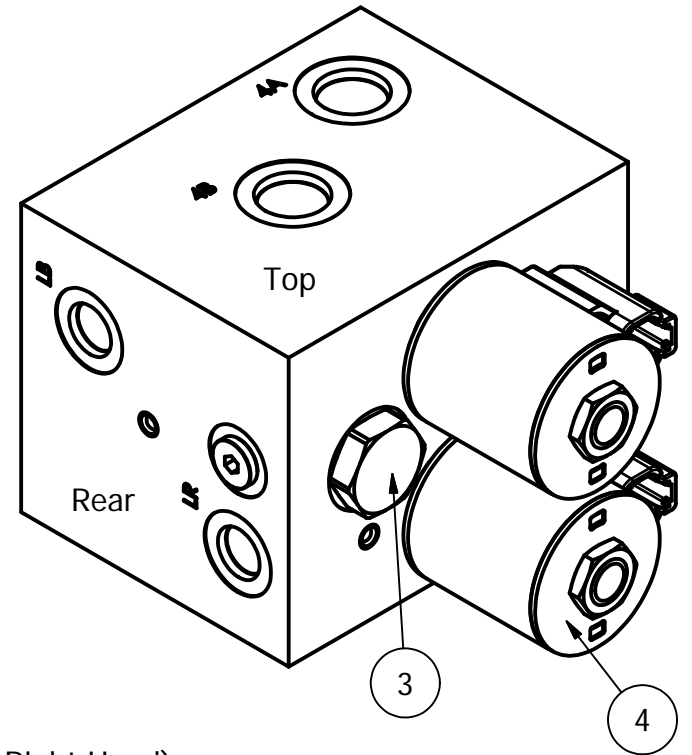
1/4 Turn Control Valve

(1490-5872 Complete Assy)

Back



Home



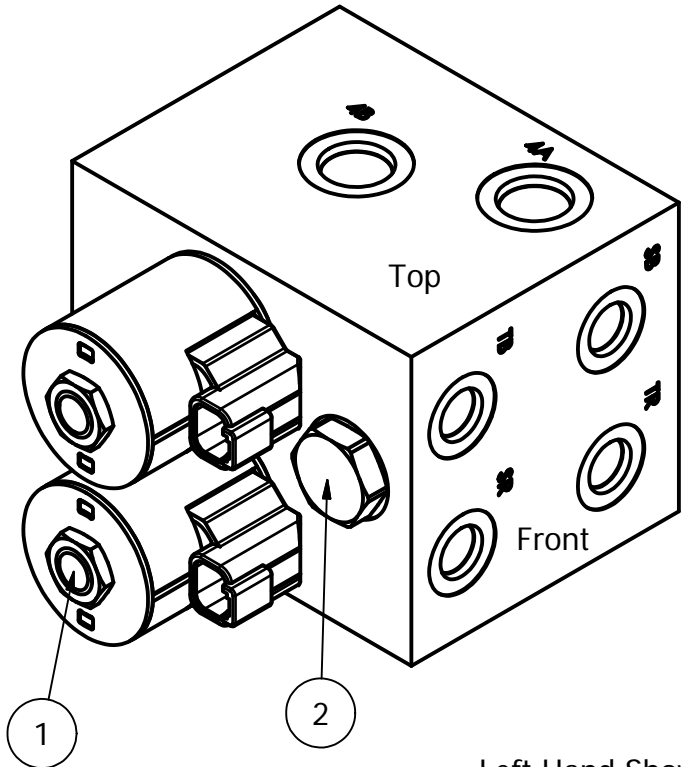
PARTS LIST			
ITEM	QTY	PART NUMBER	DESCRIPTION
1	2	1490-5918	Size 10 2-Way
2	1	1490-5922	Size 10 Check Valve
3	1	1490-5921	Pilot Check Cartridge Valve
4	2	1490-6588	SV Coil

Left Hand Shown (Ports 4A & 4B plumb on opposite side for Right Hand)

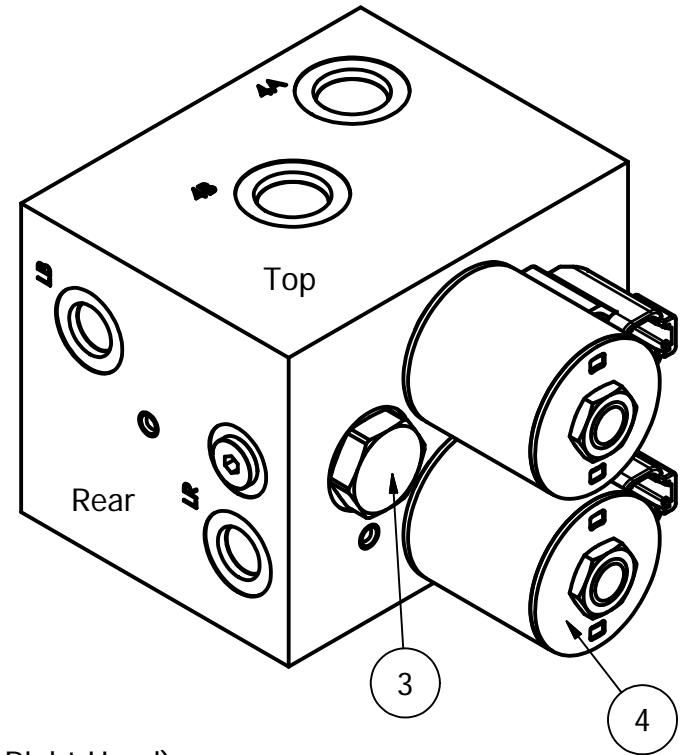
1/4 Turn Control Valve

(1490-5872 Complete Assy)

Back



Home



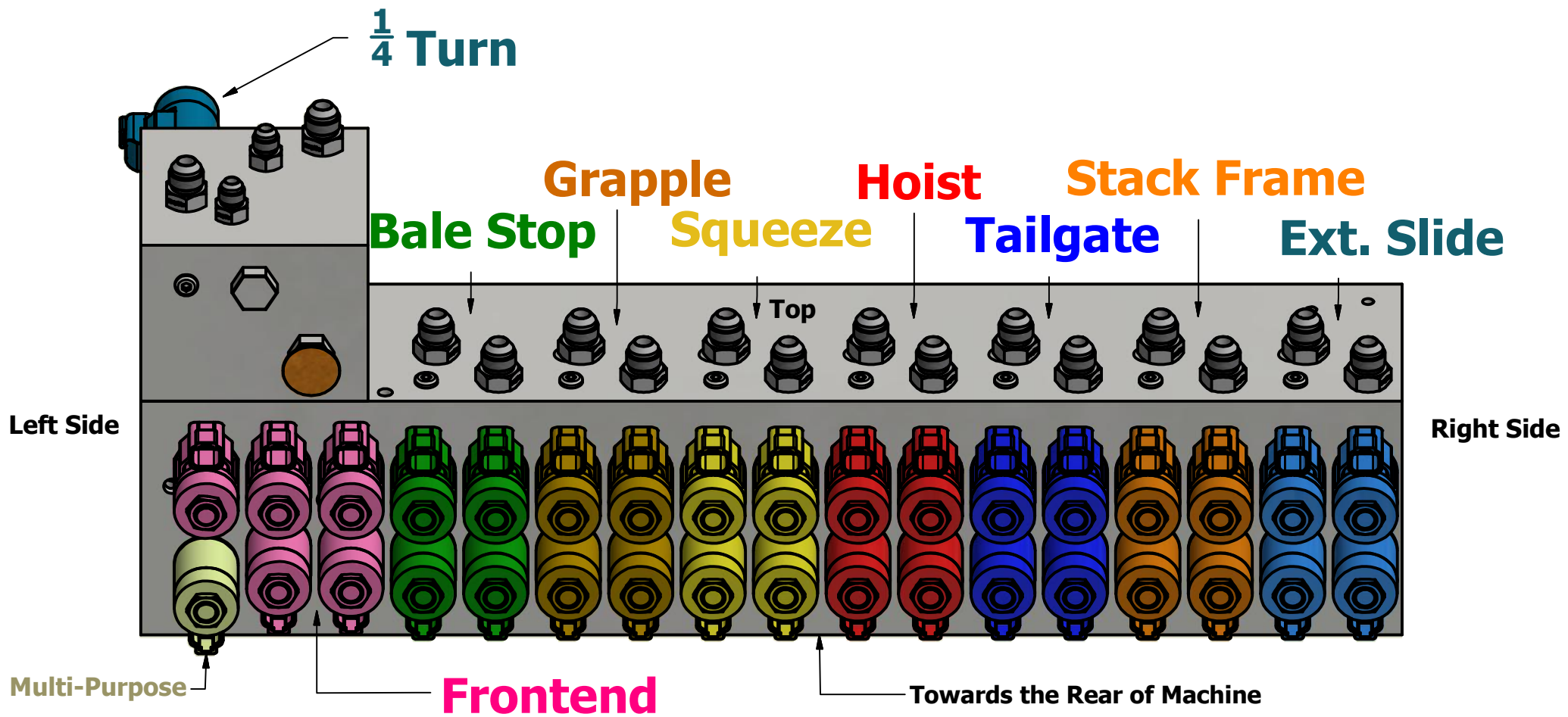
PARTS LIST			
ITEM	QTY	PART NUMBER	DESCRIPTION
1	2	1490-5918	Size 10 2-Way
2	1	1490-5922	Size 10 Check Valve
3	1	1490-5921	Pilot Check Cartridge Valve
4	2	1490-6588	SV Coil

Left Hand Shown (Ports 4A & 4B plumb on opposite side for Right Hand)

Stinger 2400 / 4400 Stacker Looking @ Rear of the Valve Body

Back

Home



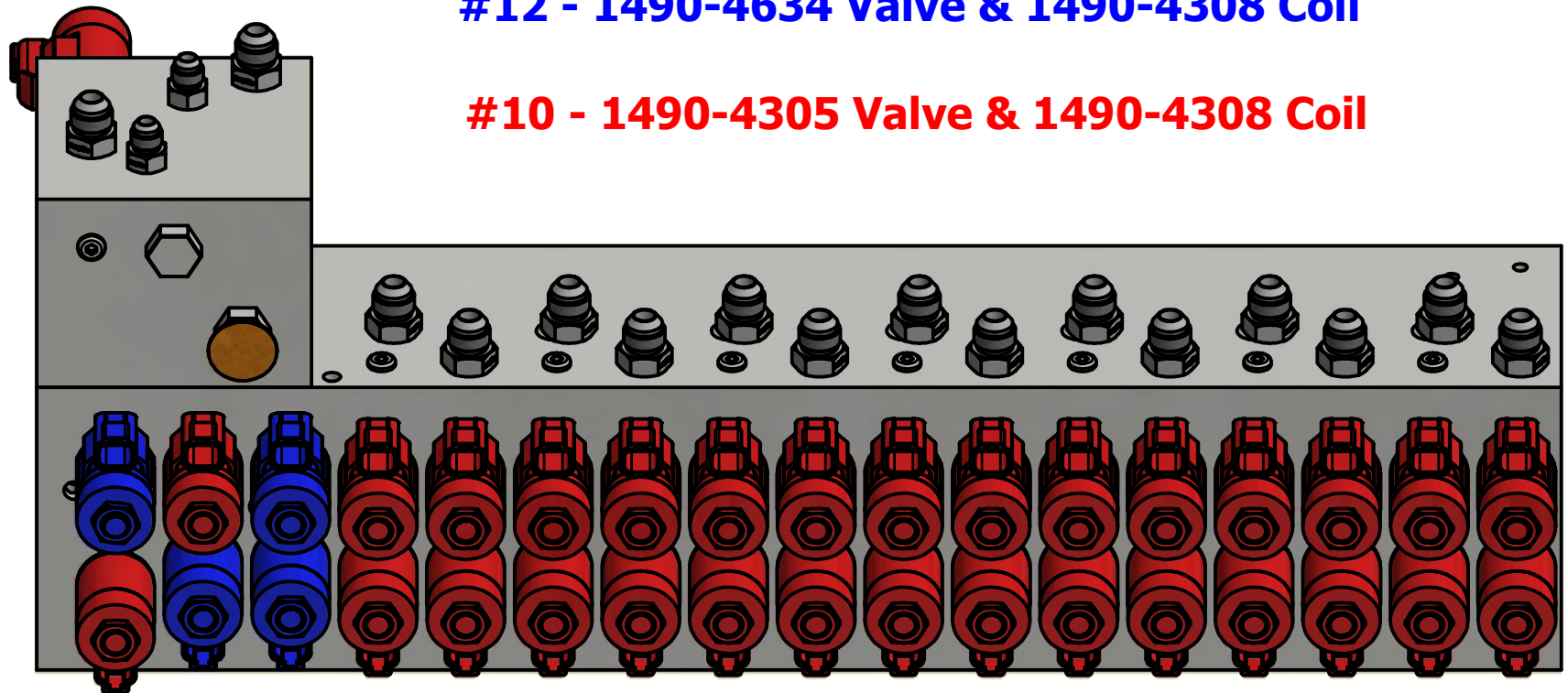
Stinger 2400/4400 Stacker Valve Types

[Back](#)

[Home](#)

#12 - 1490-4634 Valve & 1490-4308 Coil

#10 - 1490-4305 Valve & 1490-4308 Coil



Stinger 2400 / 4400 Stacker Function Testing Coils

Back

Home

Frontend Up Fast
Frontend Up Slow
Frontend Dn

Grapple Eng.

Hoist Up

Stack Up

Grapple Diseng.

Hoist Dn

Stack Dn

Bale Stop Up

Sq. Rails In

Tailgate Up

Ext. Slide In

Bale Stop Dn

Sq. Rails Out

Tailgate Dn

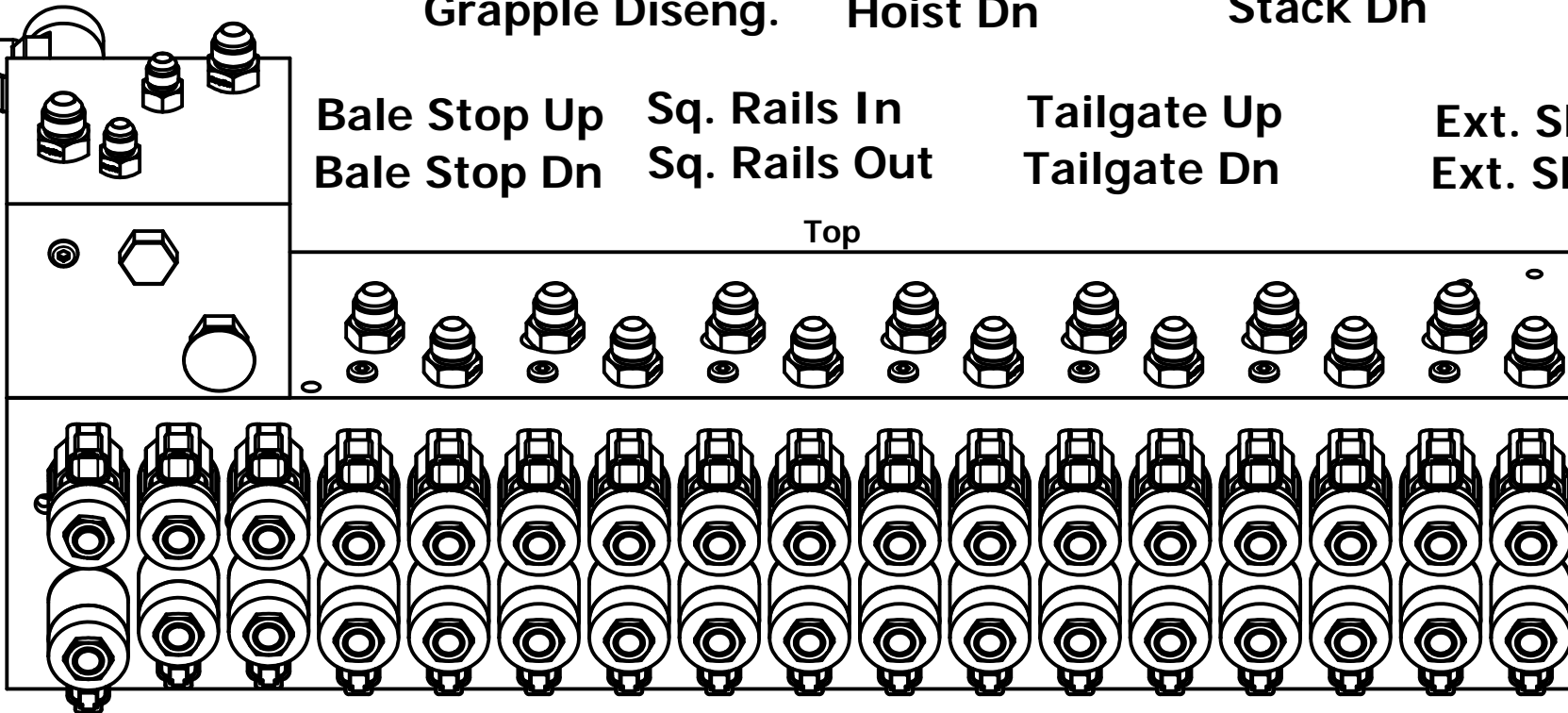
Ext. Slide Out

1/4
Turn
Coil

Top

Left Side

Right Side



1/4 Turn Detail

Back

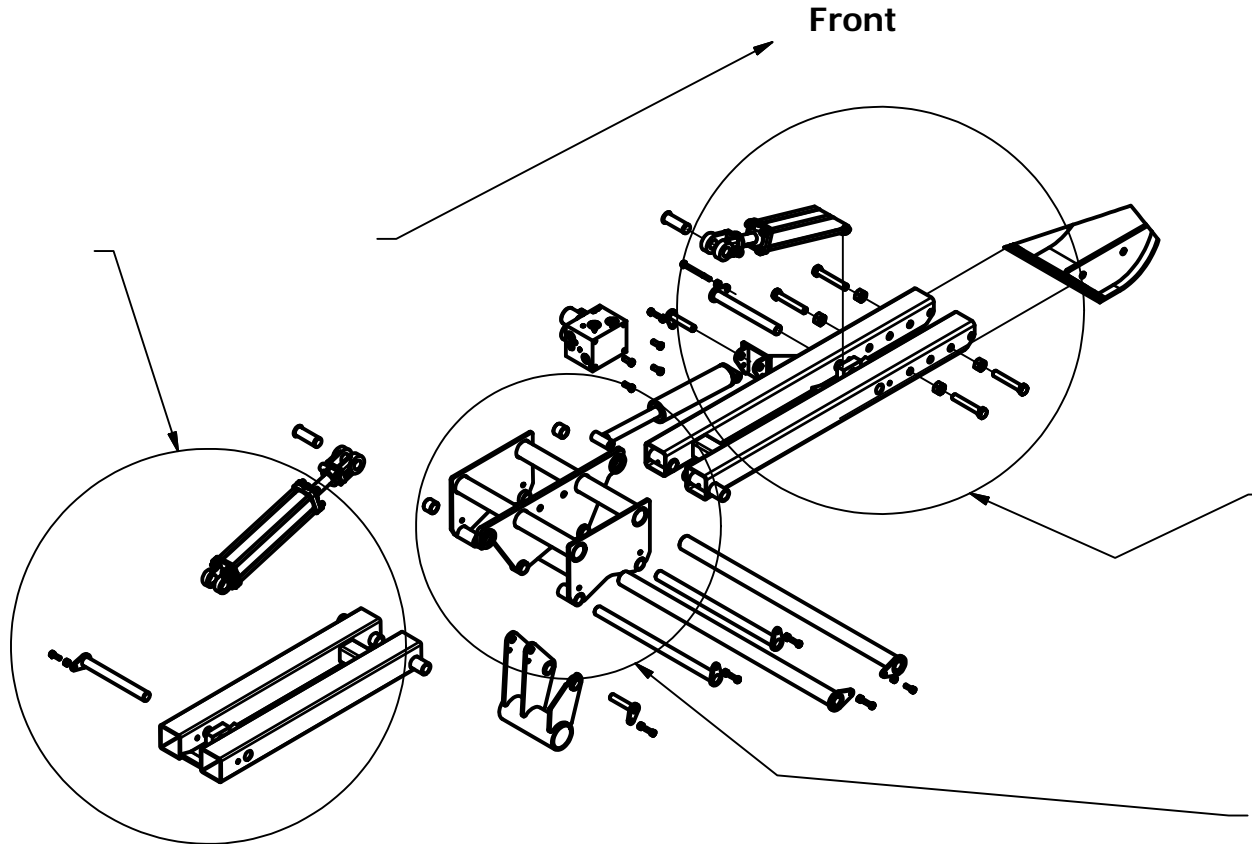
Home

1/4 Turn
Detail A

1/4 Turn
Cylinders

1/4 Turn
Detail C

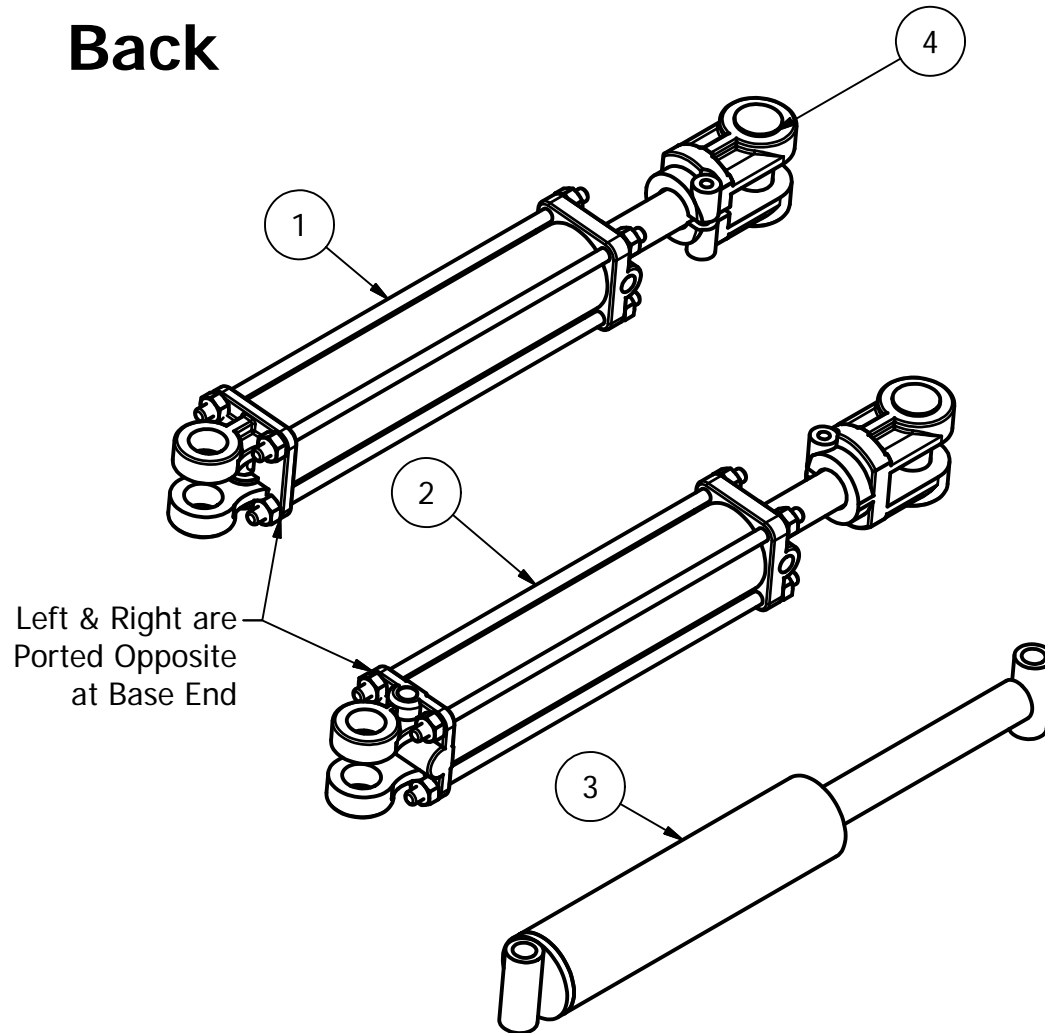
1/4 Turn
Detail B



1/4 Turn Cylinders

Back

Home



PARTS LIST			
ITEM	QTY	PART NUMBER	DESCRIPTION
1	2	1490-5146	RF & LR 1/4 Turn Cyl
2	2	1490-5145	LF & RR 1/4 Turn Cyl.
3	2	2414A2	Grapple Cylinder Assembly
4	4	1490-4566	1 X 2-3/4 Cylinder Pin
5	4	Cotter Pin	1/8 X 1-3/8 Cotter Pin

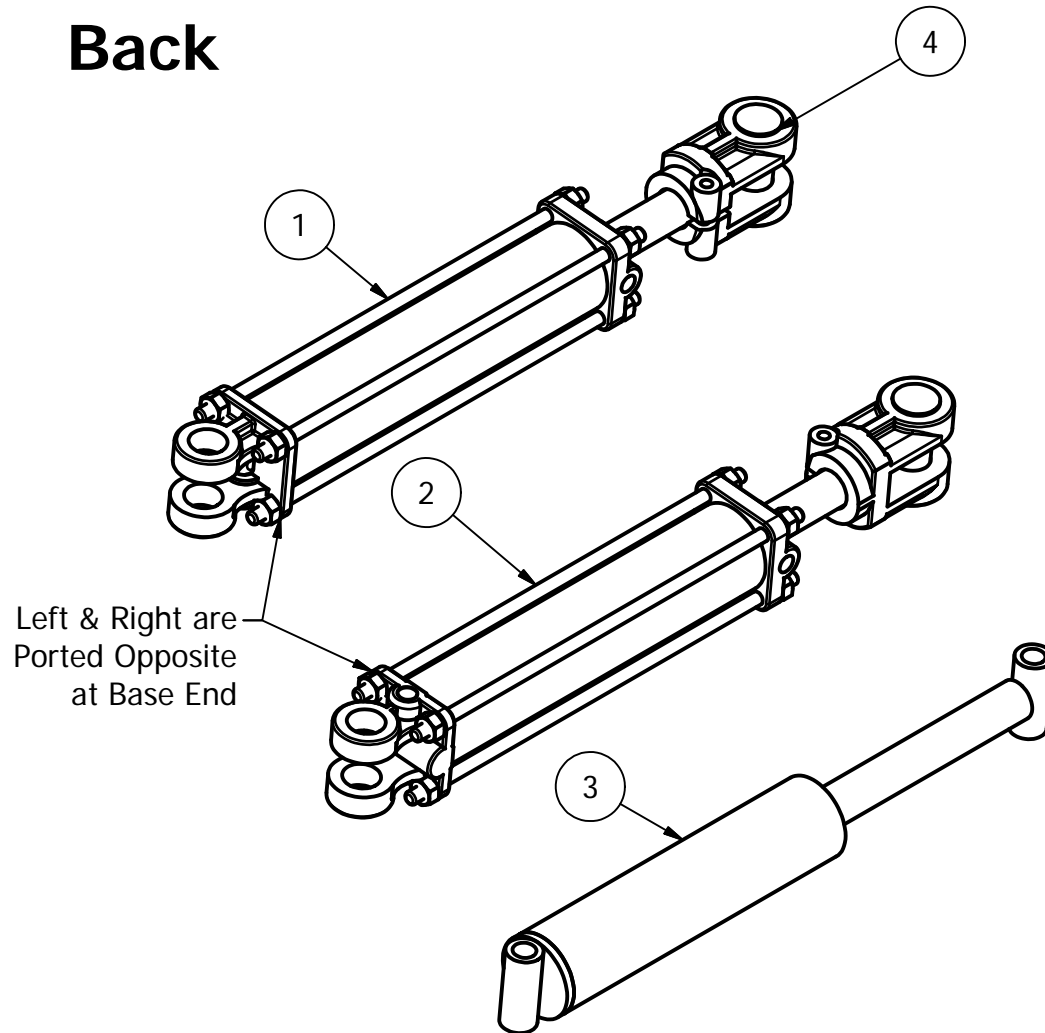
**1490-5145 & 1490-5146 Use
Seal Kit # 1490-4627**

**The 2414A2 Cylinder Uses
Seal Kit #1490-6391**

1/4 Turn Cylinders

Back

Home



PARTS LIST			
ITEM	QTY	PART NUMBER	DESCRIPTION
1	2	1490-5146	RF & LR 1/4 Turn Cyl
2	2	1490-5145	LF & RR 1/4 Turn Cyl.
3	2	2414A2	Grapple Cylinder Assembly
4	4	1490-4566	1 X 2-3/4 Cylinder Pin
5	4	Cotter Pin	1/8 X 1-3/8 Cotter Pin

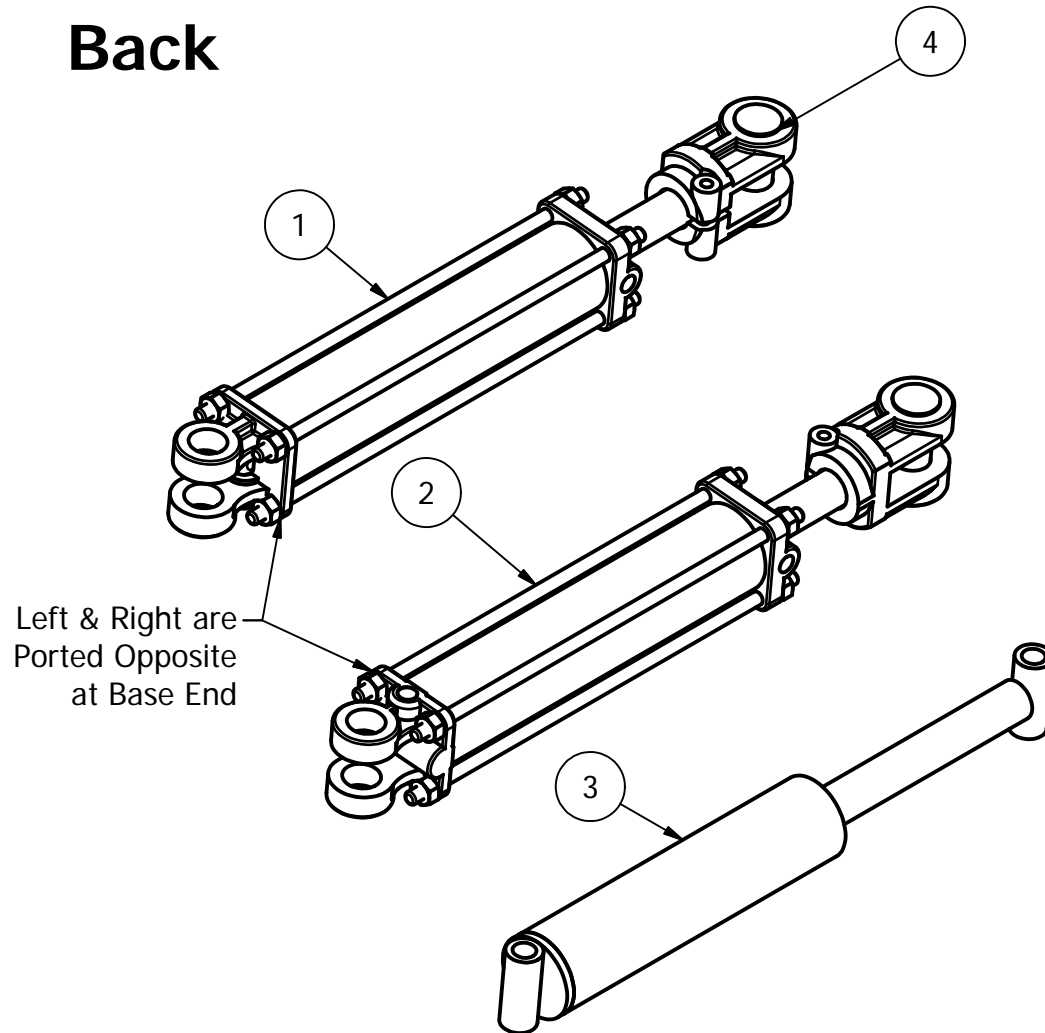
**1490-5145 & 1490-5146 Use
Seal Kit # 1490-4627**

**The 2414A2 Cylinder Uses
Seal Kit #1490-6391**

1/4 Turn Cylinders

Back

Home



PARTS LIST			
ITEM	QTY	PART NUMBER	DESCRIPTION
1	2	1490-5146	RF & LR 1/4 Turn Cyl
2	2	1490-5145	LF & RR 1/4 Turn Cyl.
3	2	2414A2	Grapple Cylinder Assembly
4	4	1490-4566	1 X 2-3/4 Cylinder Pin
5	4	Cotter Pin	1/8 X 1-3/8 Cotter Pin

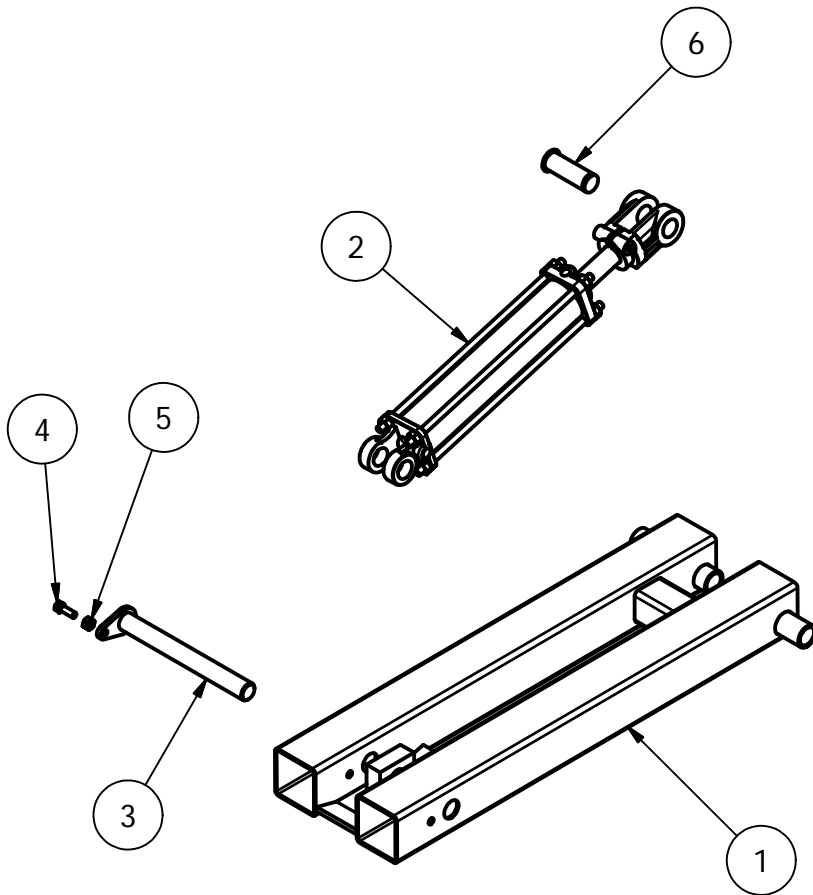
**1490-5145 & 1490-5146 Use
Seal Kit # 1490-4627**

**The 2414A2 Cylinder Uses
Seal Kit #1490-6391**

1/4 Turn Detail A

Back

Home

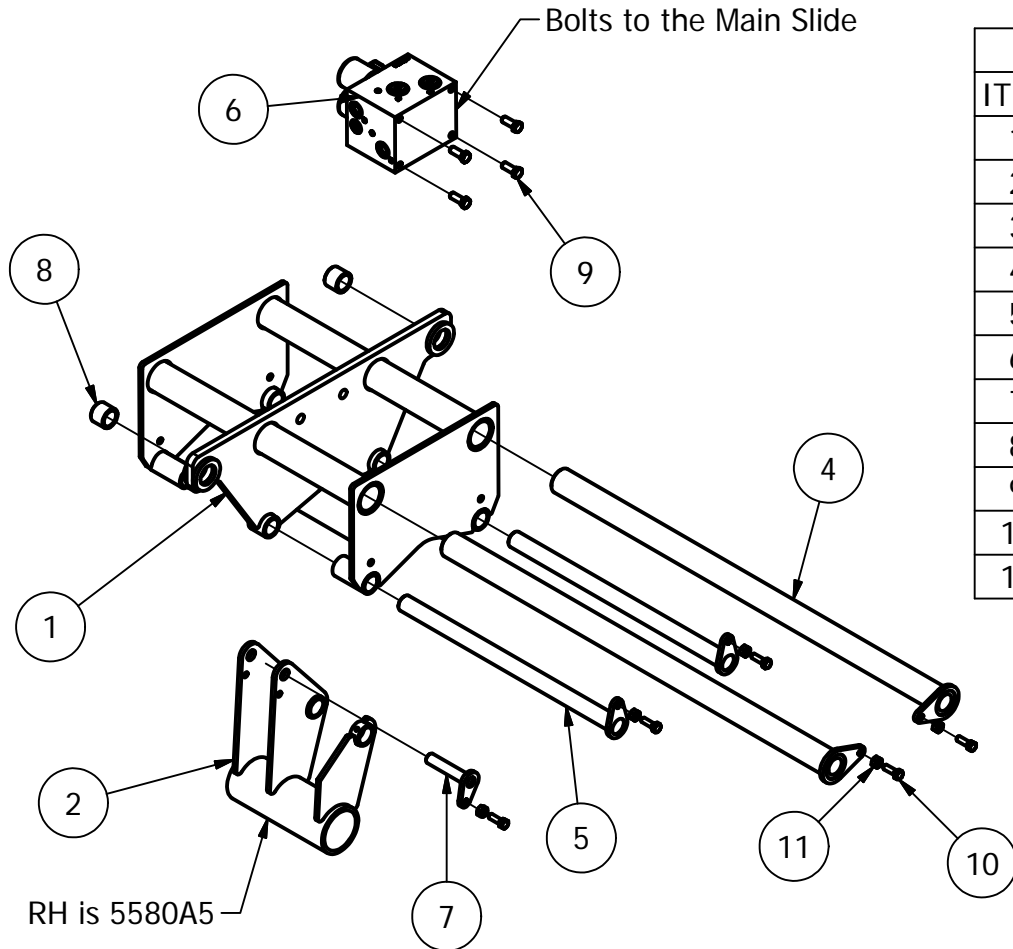


PARTS LIST			
ITEM	QTY	PART NUMBER	DESCRIPTION
1	2	5580A4	500 Series Let Down Arm Assembly
2	2	1490-5146	RF & LR 1/4 Turn Cyl
3	4	5580A7	Cylinder Pin Assy
4	14	5/16-18 X 1	Hex Bolt
5	16	5/16 - 18	Hex Nut
6	4	1490-4566	1 X 2-3/4 Cylinder Pin

1/4 Turn Detail B

Back

Home

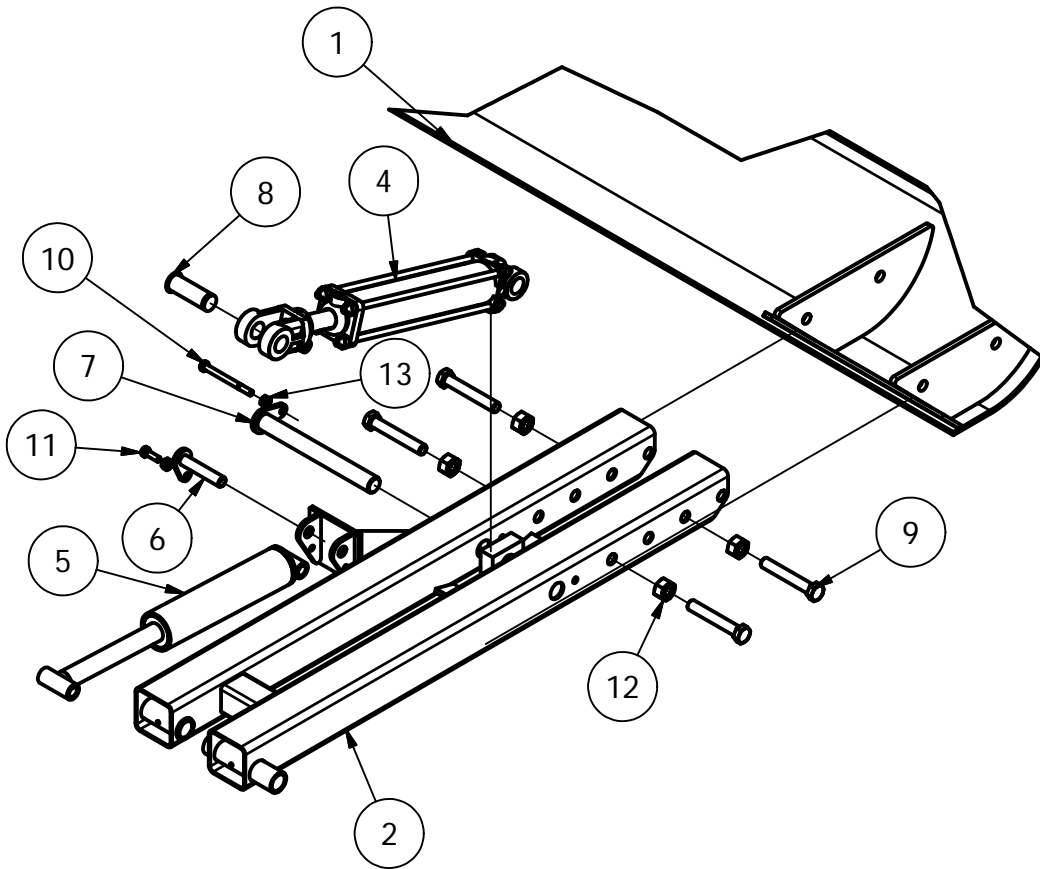


PARTS LIST			
ITEM	QTY	PART NUMBER	DESCRIPTION
1	2	5580A1	1/4 Turn Letdown Main Pivot Assembly LH
2	1	5580A9	LH 1/4 Turn Stop
3	1	5580-A5	RH 1/4 Turn Stop (Not Shown)
4	4	5580A8	1/4 Turn & Letdown Mounting Shaft Assembly
5	4	5580A6	1/4 Turn & Letdown Main Pivot Pin Assembly
6	2	1490-5872	1/4 Turn Control Valve
7	4	5580A11	1/4 Turn Bale Stop Cylinder Mounting Pin Assy
8	4	14902030	Wear Bushing
9	8	3/8 X 1	Bolt
10	14	5/16-18 X 1	Hex Bolt
11	16	5/16 - 18	Hex Nut

1/4 Turn Detail C

Back

Home



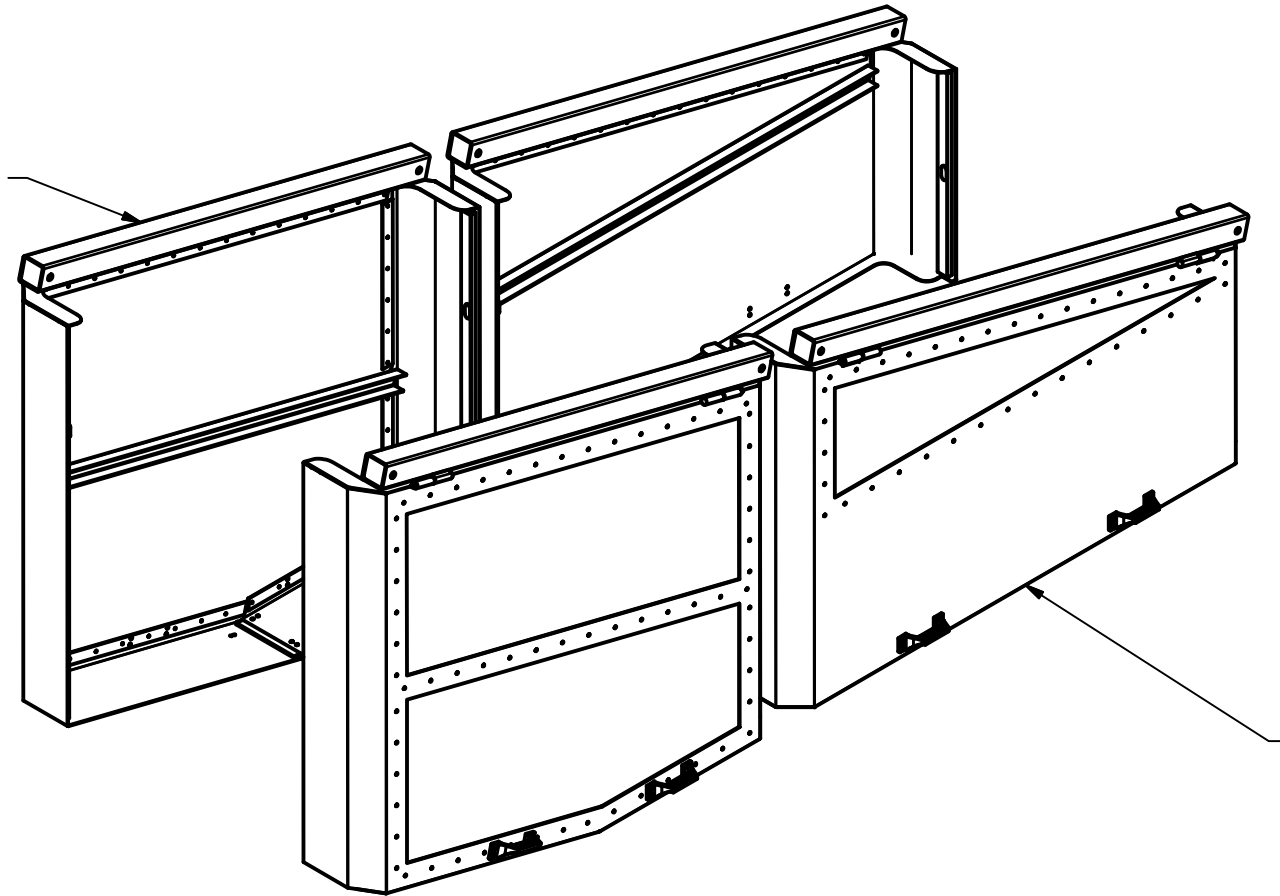
PARTS LIST			
ITEM	QTY	PART NUMBER	DESCRIPTION
1	1	5580A10	1/4 Turn Nose Cap Assembly
2	1	5580A3	LH 1/4 Turn Arm Assy
3	1	5580A2	RH 1/4 Turn Arm Assy (Not Shown)
4	2	1490-5145	LF & RR 1/4 Turn Cyl.
5	2	2414A2	Grapple Cylinder Assembly
6	4	5580A11	Bale Stop Cyl Mount Pin Assy
7	4	5580A7	Cylinder Pin Assy
8	4	1490-4566	1 X 2-3/4 Cylinder Pin
9	8	5/8 X 4 Bolt	5/8 X 4 Bolt
10	2	5/16 X 3-3/4	5/16 X 3-3/4 Hex Bolt
11	14	5/16-18 X 1	Hex Bolt
12	8	5/8 Nut	5/8 Hex Nut
13	16	5/16 - 18	Hex Nut

Cage and Engine Doors

Back

Home

Cage
Doors

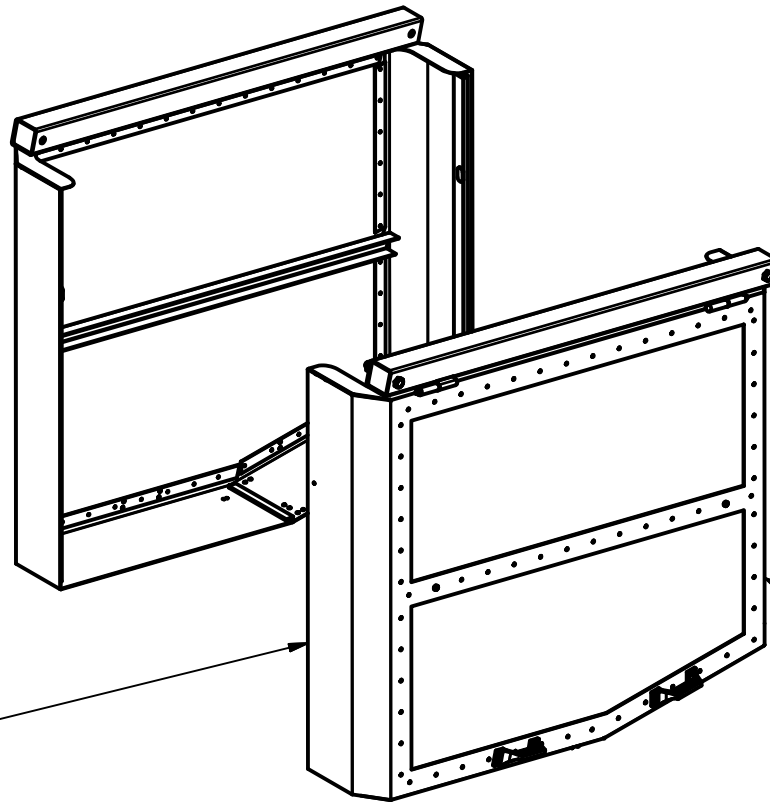


Engine
Doors

Cage Doors

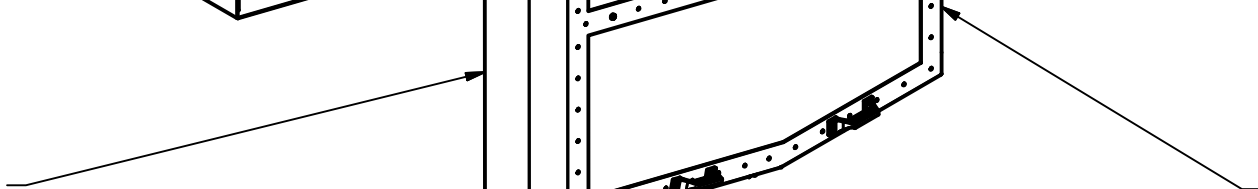
Back

Home



Cage Door
Detail A

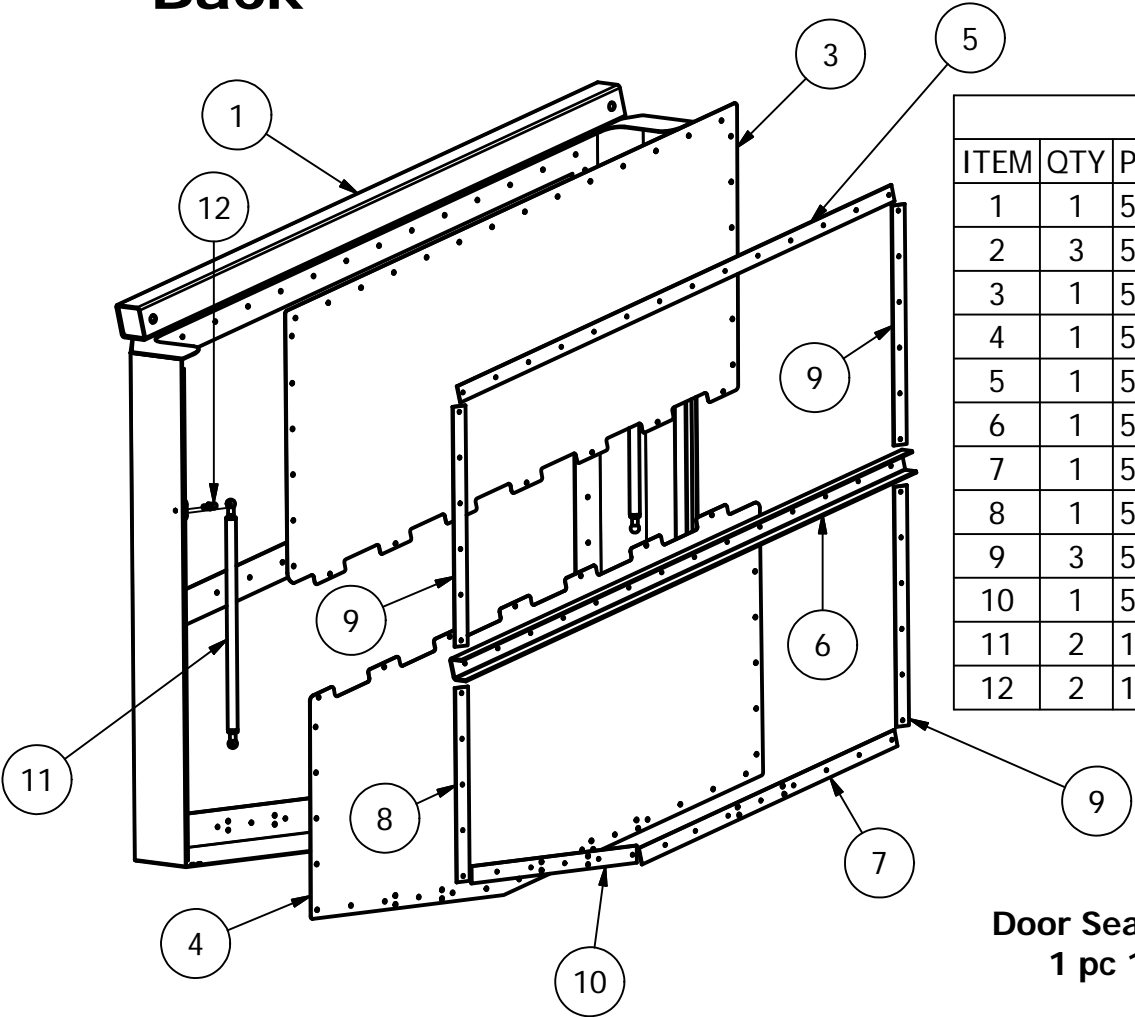
Cage Door
Detail B



Cage Door Detail B

Back

Home



PARTS LIST			
ITEM	QTY	PART NUMBER	DESCRIPTION
1	1	5550A2	LH Cage Door Assy (Shown)
2	3	5550A1	RH Cage Door Assy (Not Shown)
3	1	5550-321	500 Series Top Cage Door Screen
4	1	5550-320	500 Series Bottom Cage Door Screen
5	1	5550-313	Cage Door Screen Top Mounting Strap
6	1	5550-305	Cage Door Middle Screen Support
7	1	5550-310	Cage Door Lower Front Screen Mounting Strap
8	1	5550-311	Cage Door Screen Rear Top Mounting Strap
9	3	5550-312	Cage Door Screen Front Mounting Strap
10	1	5550-309	Cage Door Screen Lower Rear Mounting Strap
11	2	1490-1149	15" - 110# Gas Spring
12	2	1490-2484	13mm Ball Stud

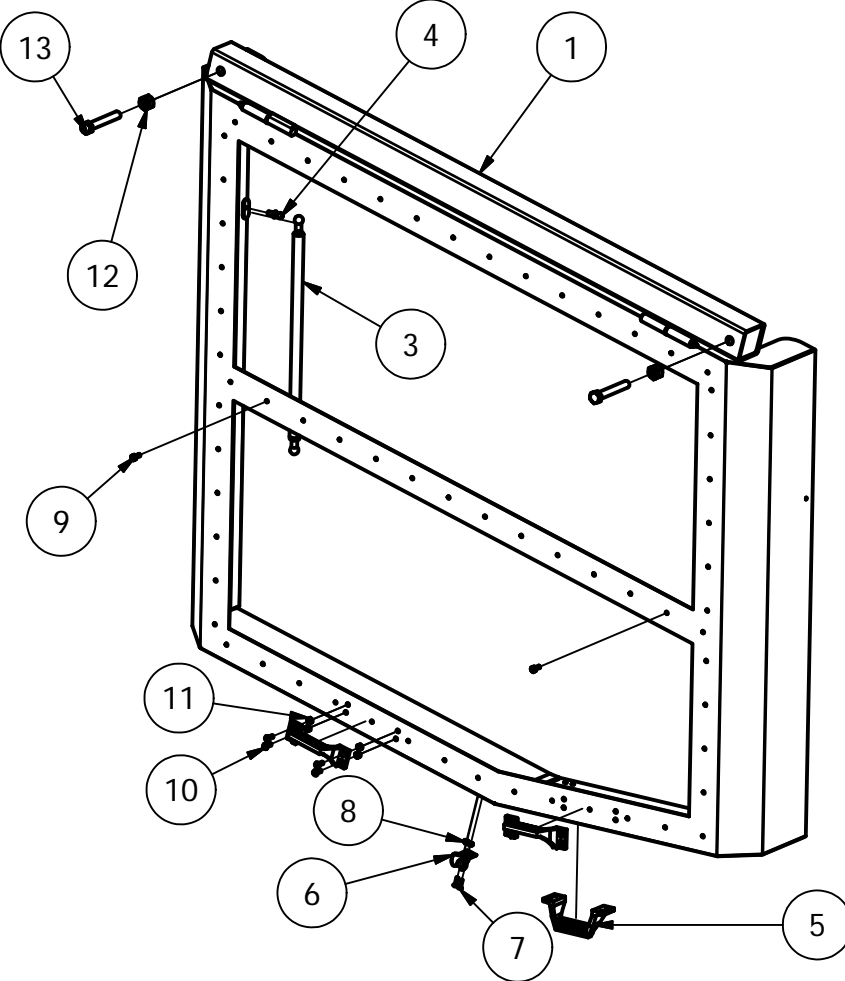
Detail A

Door Seal 1490-4951
1 pc 160" long

Cage Door Detail A

Back

Home



PARTS LIST			
ITEM	QTY	PART NUMBER	DESCRIPTION
1	1	5550A2	LH Cage Door Assy (Shown)
2	1	5550A1	RH Cage Door Assy (Not Shown)
3	2	1490-1149	15" - 110# Gas Spring
4	2	1490-2484	13mm Ball Stud
5	3	14902450	Plastic Grab Handle
6	1	Latch Reciever	Order Part #1490-4985
7	2	10-24 X 3/4	10-24 X 3/4
8	2	10-24	Machine Nut
9	2	1/4 X 3/4	Self Tapping Screw
10	4	1/4-20 X 3/4	Pan Head Screw
11	4	1/4-20	Hex Nut
12	2	5/8 Nut	5/8 Hex Nut
13	2	5/8 X 4-1/2	Hex Bolt

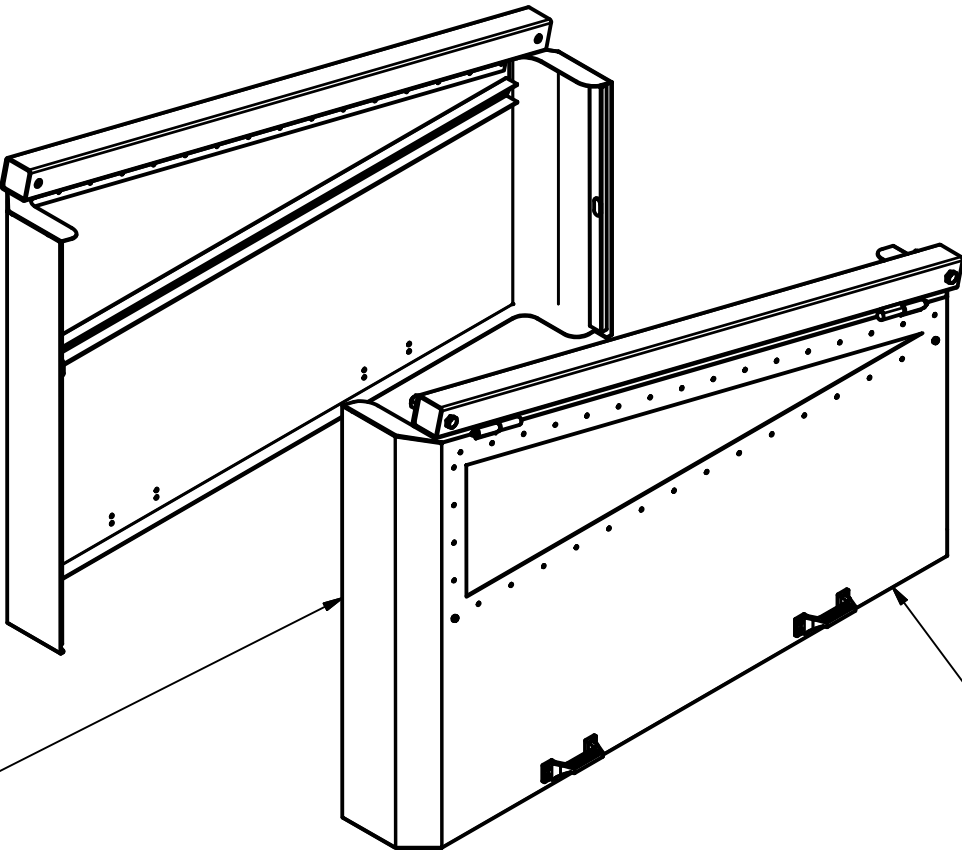
Detail B

Door Seal 1490-4951
1 pc 160" long

Engine Doors

Back

Home



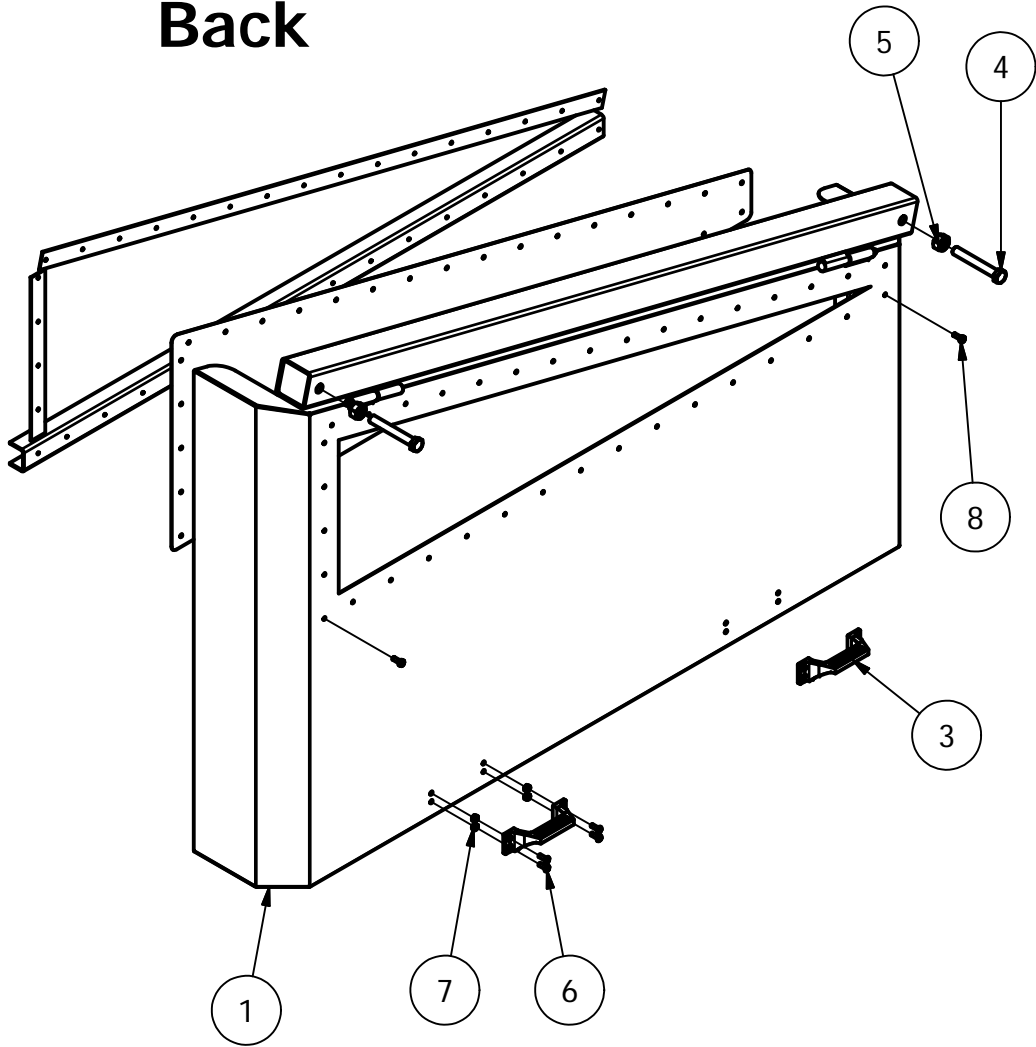
Engine Door
Detail A

Engine Door
Detail B

Engine Doors Detail A

Back

Home



PARTS LIST			
ITEM	QTY	PART NUMBER	DESCRIPTION
1	1	5550A4	LH Engine Door Assy (Shown)
2	1	5550A3	RH Engine Door Assy (Not Shown)
3	2	14902450	Plastic Grab Handle
4	2	5/8 X 4-1/2	Hex Bolt
5	2	5/8 Nut	5/8 Hex Nut
6	8	1/4-20 X 3/4	Pan Head Screw
7	8	1/4-20	Hex Nut
8	36	1/4 X 3/4	Self Tapping Screw

(Quantity shown per door)

Safety Edge 1490-2027
1 pc 78" long

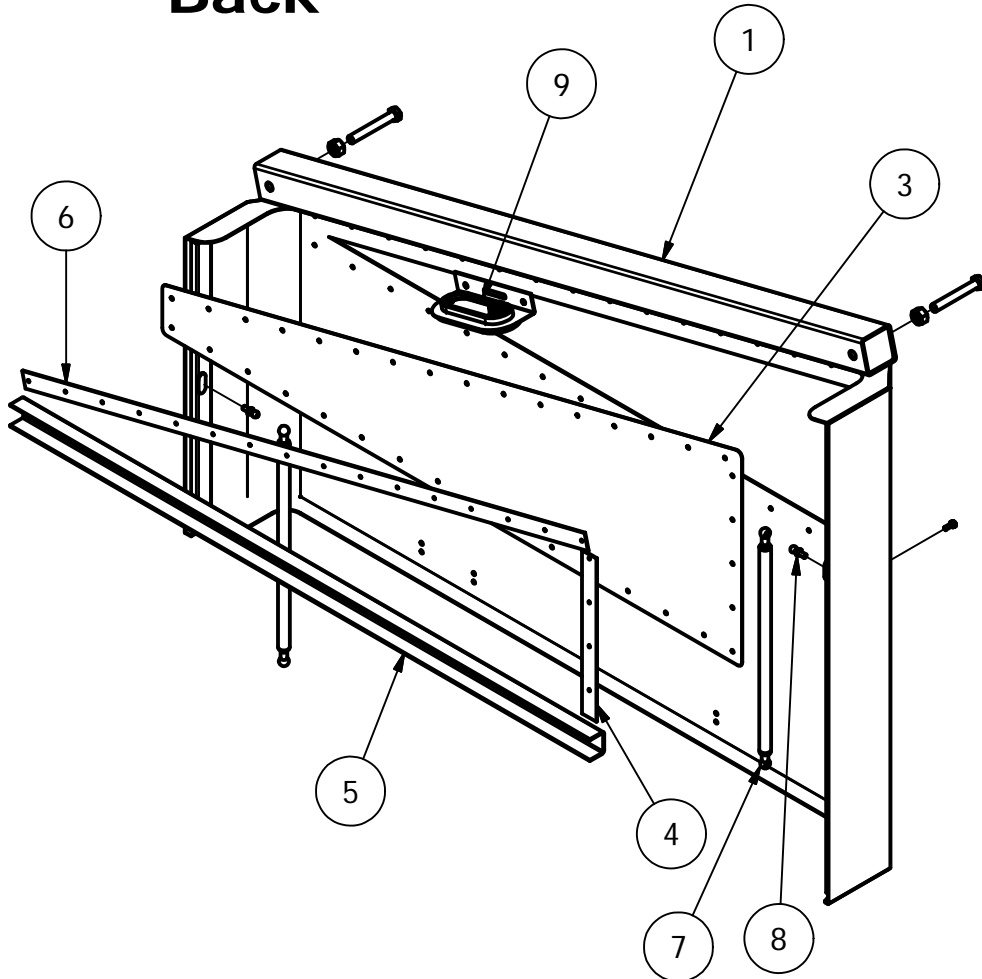
Door Seal 1490-4951
1 pc 44" & 1 pc 27"

Detail B

Engine Door Detail B

Back

Home



PARTS LIST			
ITEM	QTY	PART NUMBER	DESCRIPTION
1	1	5550A4	LH Engine Door Assy (Shown)
2	1	5550A3	RH Engine Door Assy (Not Shown)
3	1	5550-322	500 Series Engine Door Screen
4	1	5550-307	Engine Door Screen Front Mounting Strap
5	1	5550-304	Engine Door Bottom Screen Support
6	1	5550-306	Engine Door Top Screen Mounting Strap
7	2	1490-1149	15" - 110# Gas Spring
8	2	Ball Stud	13mm Ball Stud
9	1	1490-6321	Compartment Work Light

(Quantity shown per door)

Safety Edge 1490-2027
1 pc 78" long

Door Seal 1490-4951
1 pc 44" & 1 pc 27"

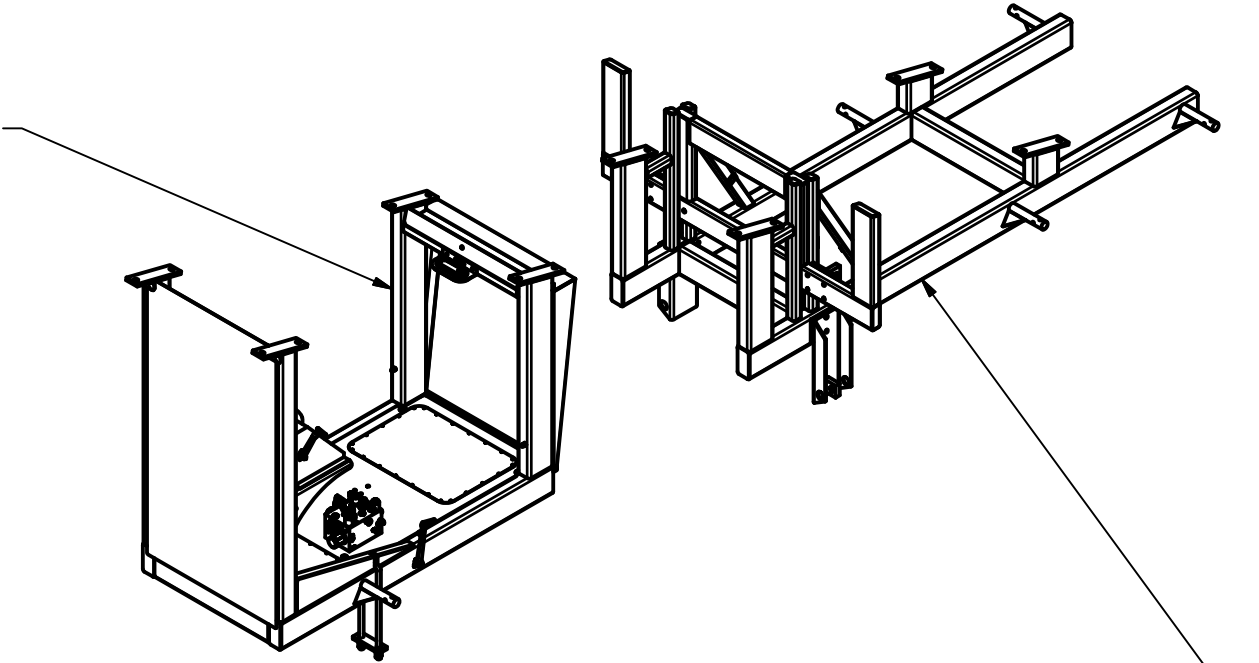
Detail A

Subframes

Back

Home

Front
Subframe

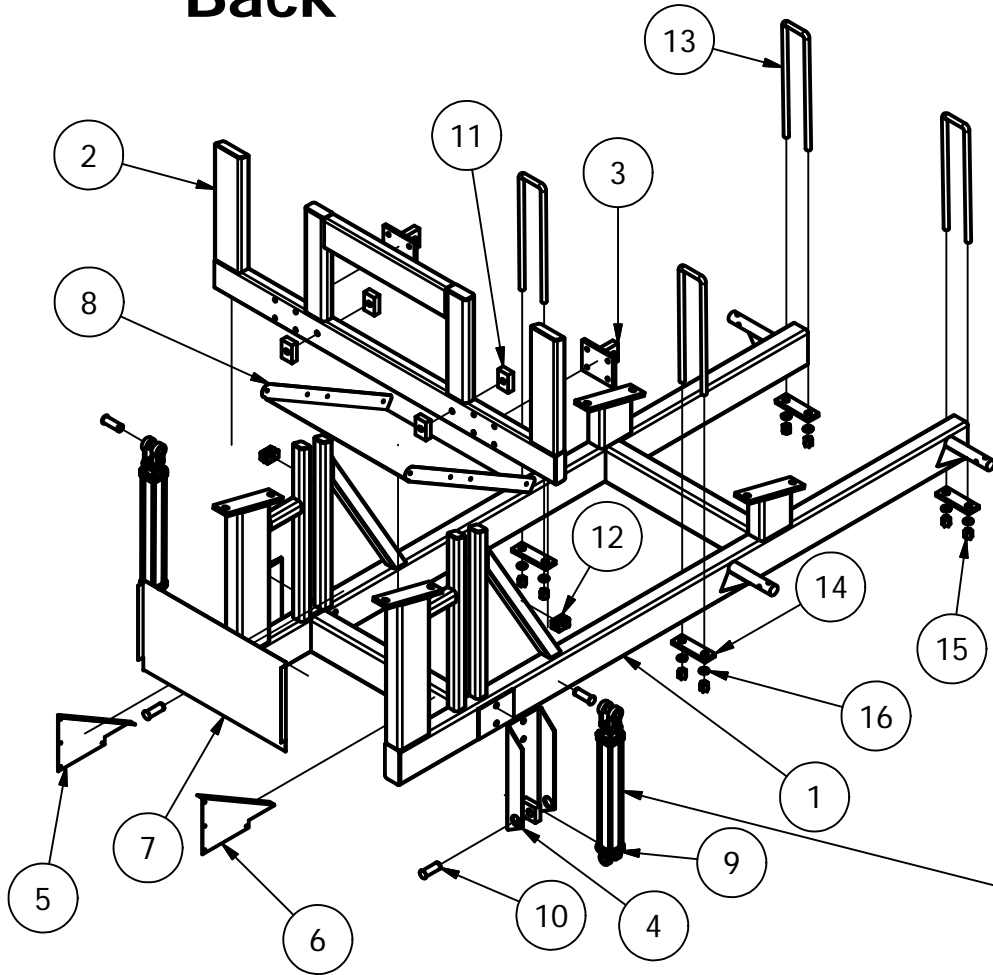


Rear
Subframe

Rear Sub-Frame Detail

Back

Home



PARTS LIST			
ITEM	QTY	PART NUMBER	DESCRIPTION
1	1	6550AMR2	Rear Stacking Sub-Frame Assy
2	1	6562A	Bale Stop for Dual Cylinders
3	2	2465A	Bale Stop Cylinder Mount
4	2	6552A	Dual Bale Stop Cylinder Lower Mount
5	1	5550-332	Rear Engine Compartment Side Screen RH
6	1	5550-333	Rear Engine Compartment Side Screen LH
7	1	5550-334	Rear Engine Compartment Screen
8	1	6550-247	Dual Cylinder Bale Stop Deflector Sheild
9	2	1490-5031	Bale Stop 2 x 14 x 1-1/8
10	4	1490-4566	1 X 2-3/4 Cylinder Pin
11	4	2460-399	Bale Stop Poly Block
12	2	KIT-DBL-.375	3/8" Double Hose Clamp
13	4	1490-2015	3/4x3-1/2x19 U-Bolts SQ Top
14	4	1400-110	U-Bolt Plate
15	8	1490-2017	HiNuts for U-Bolts
16	8	3/4 Lock Washer	Helical Spring Lock Washers

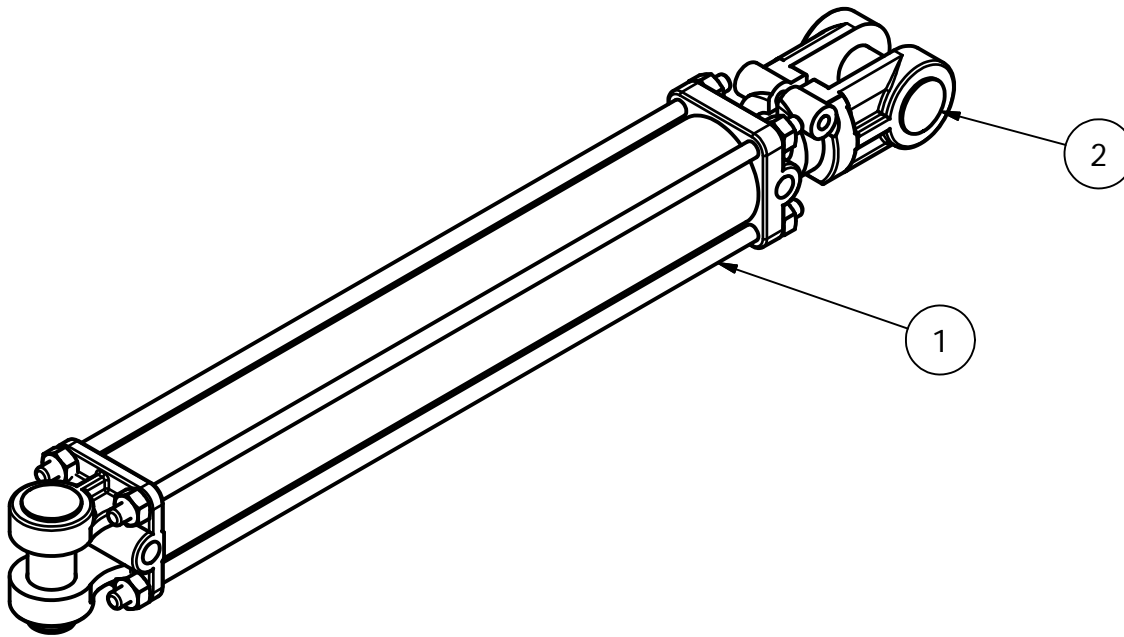
**Bale Stop
Cylinders**

Bale Stop Cylinder

Part # 1490-5031

Back

Home



PARTS LIST			
ITEM	QTY	PART NUMBER	DESCRIPTION
1	1	1490-5031	Bale Stop 2 x 14 x 1-1/8
2	2	1490-4566	1 X 2-3/4 Cyl. Pin

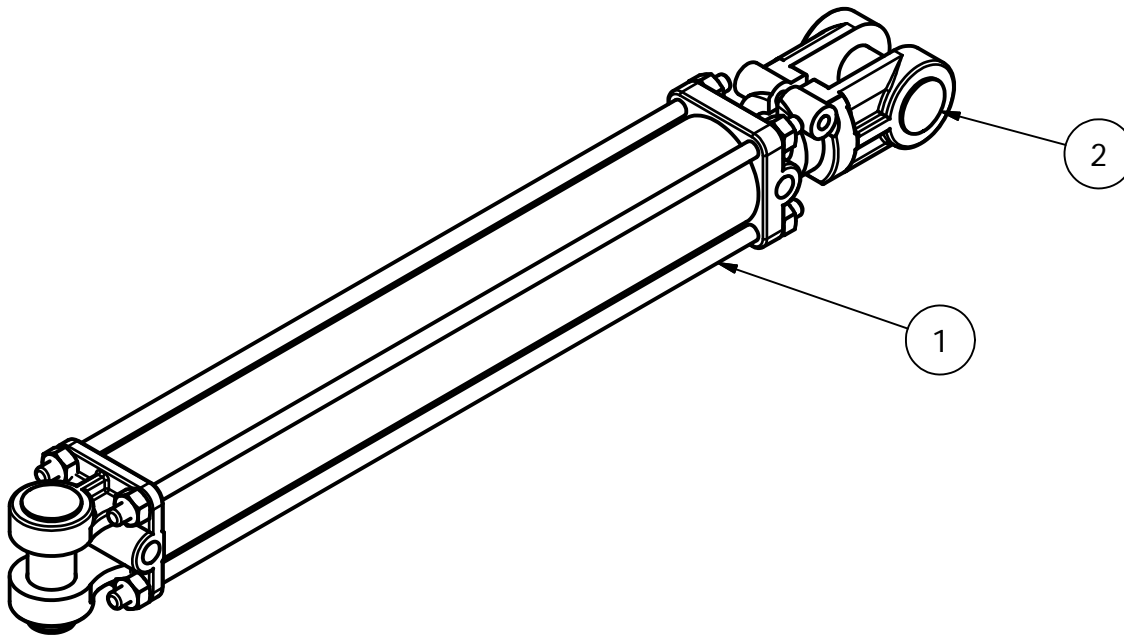
Seal Kit # 1490-4627

Bale Stop Cylinder

Part # 1490-5031

Back

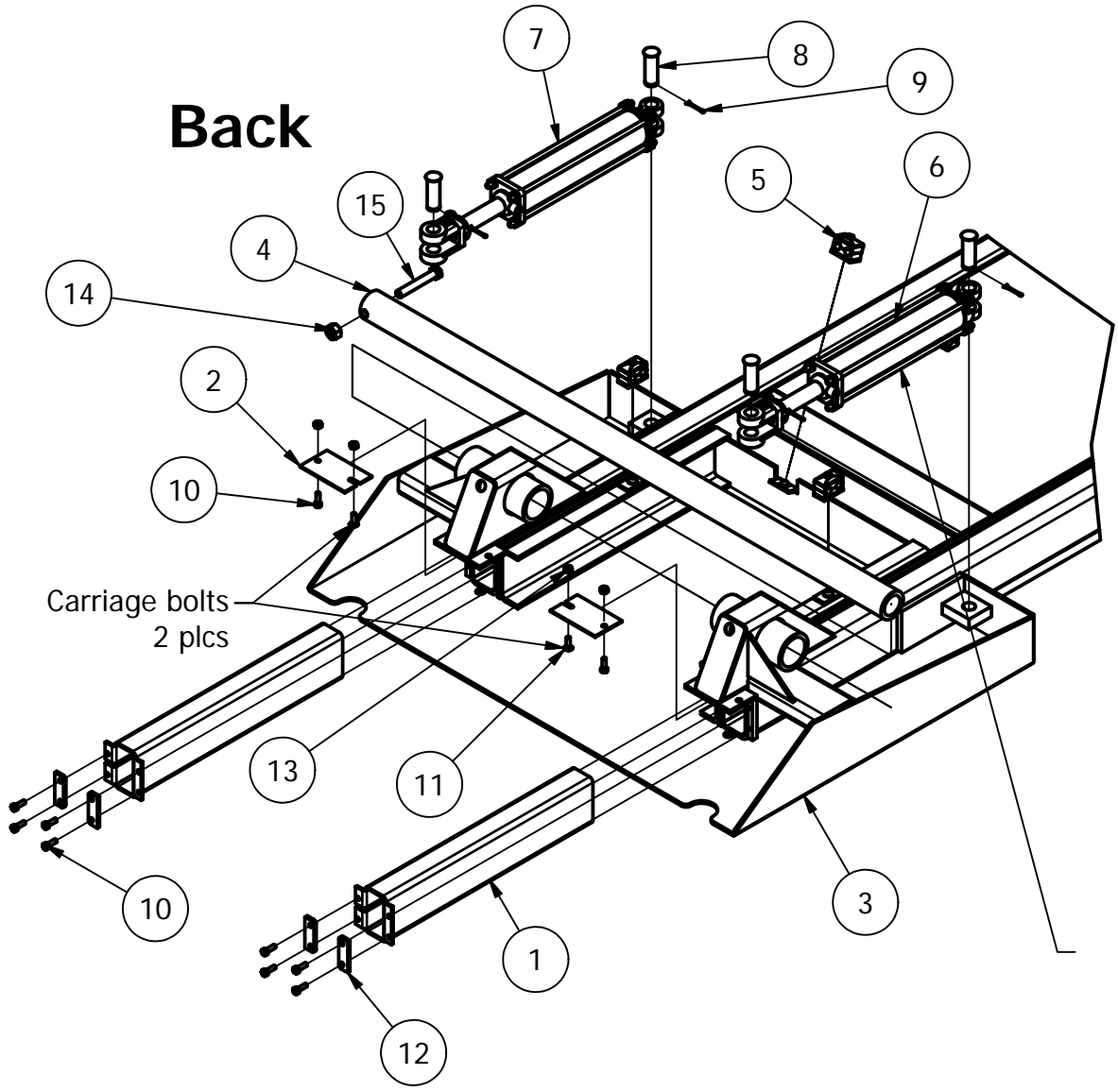
Home



PARTS LIST			
ITEM	QTY	PART NUMBER	DESCRIPTION
1	1	1490-5031	Bale Stop 2 x 14 x 1-1/8
2	2	1490-4566	1 X 2-3/4 Cyl. Pin

Seal Kit # 1490-4627

Stackframe Detail A



Home

PARTS LIST

ITEM	QTY	PART NUMBER	DESCRIPTION
1	2	2410-373	Poly Insert
2	2	2410-368	Tailgate Wear Plate
3	1	6512AG	Stackframe Weldment
4	1	2460-317	Rear Pivot Shaft
5	8	KIT-DBL-.375	3/8" Double Hose Clamp
6	1	1490-3063	LH Stackdown Cylinder
7	1	1490-3064	RH Stackdown Cylinder
8	4	2.75 Cyl Pin	
9	4	Cotter Pin	1/8 X 1-3/8 Cotter Pin
10	12	5/16-18 X 1	Hex Bolt
11	2	5/16 X 1 Carriage Bolt	5/16 X 1 Carriage Bolt
12	4	2460-320	Squeeze Poly Strap
13	4	5/16 - 18	Hex Nut
14	1	5/8 Nut	5/8 Hex Nut
15	1	5/8 X 4 Bolt	5/8 X 4 Bolt

Stackdown Cylinder Details

Front Sub-Frame Detail

Back

Home

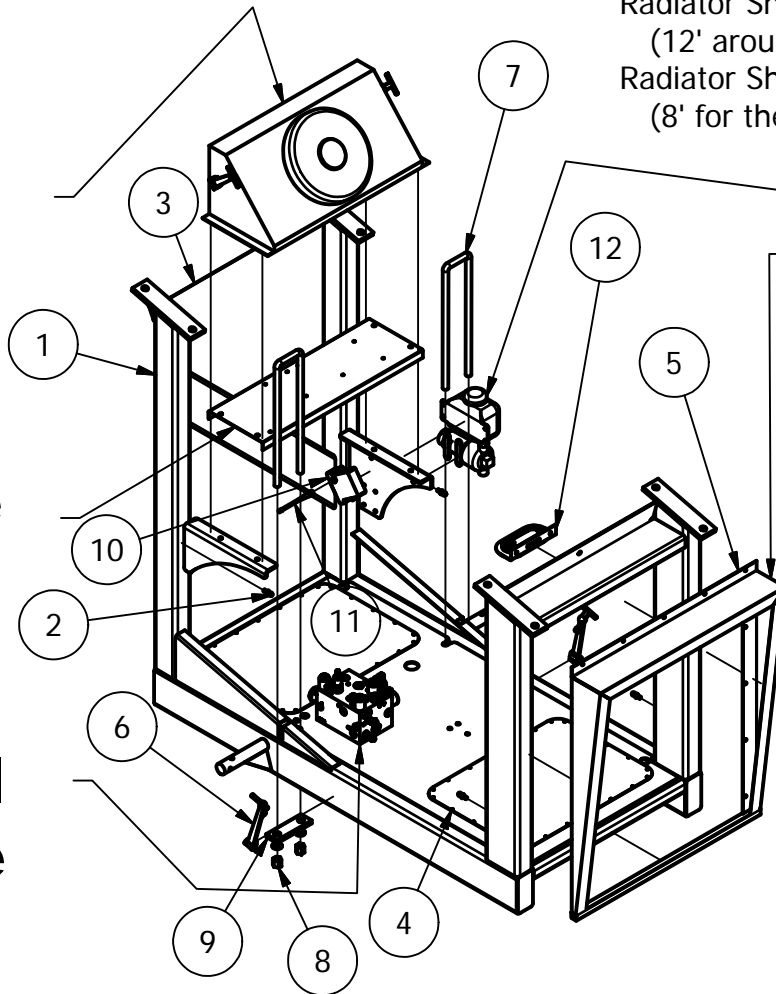
Radiator Shroud Edge Trim Bulb Part # 1490-2021
(12' around the black radiator shroud)
Radiator Shroud Stickertite Seal Part # 1490-4574
(8' for the black shroud & 12' for the red shroud)

A/C Detail

Oiler Detail

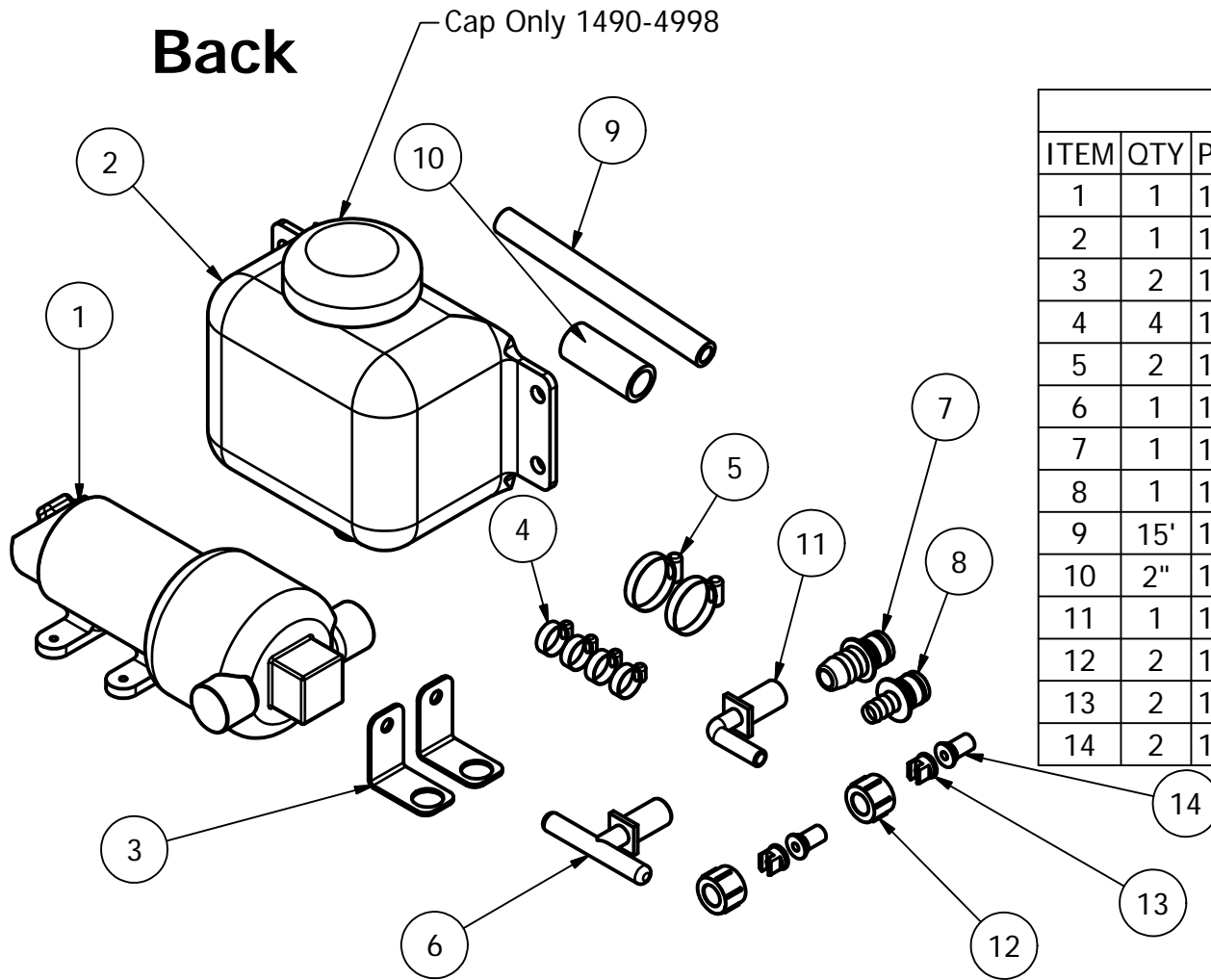
ECU Plate
Detail

Control
Valve



PARTS LIST			
ITEM	QTY	PART NUMBER	DESCRIPTION
1	1	5550AMF2	Front Mid-Engine Sub-Frame Assembly
2	4	1490-2484	13mm Ball Stud
3	1	5550-318	Lower Front Cage Screen
4	2	5550-324	Cage Bottom Screen
5	1	2005A13	Radiator Shroud
6	2	1490-4985	Flexible Draw Latch T-Handle
7	2	1490-2015	3/4x3-1/2x19 U-Bolts SQ Top
8	4	1490-2017	HiNuts for U-Bolts
9	2	1400-110	U-Bolt Plate
10	1	1490-6054	Tire Pressure J1939 Gateway
11	1	1490-6057	7" Antenna for Tire Pressure Gateway
12	1	1490-6321	Compartment Work Light

Oiler Detail

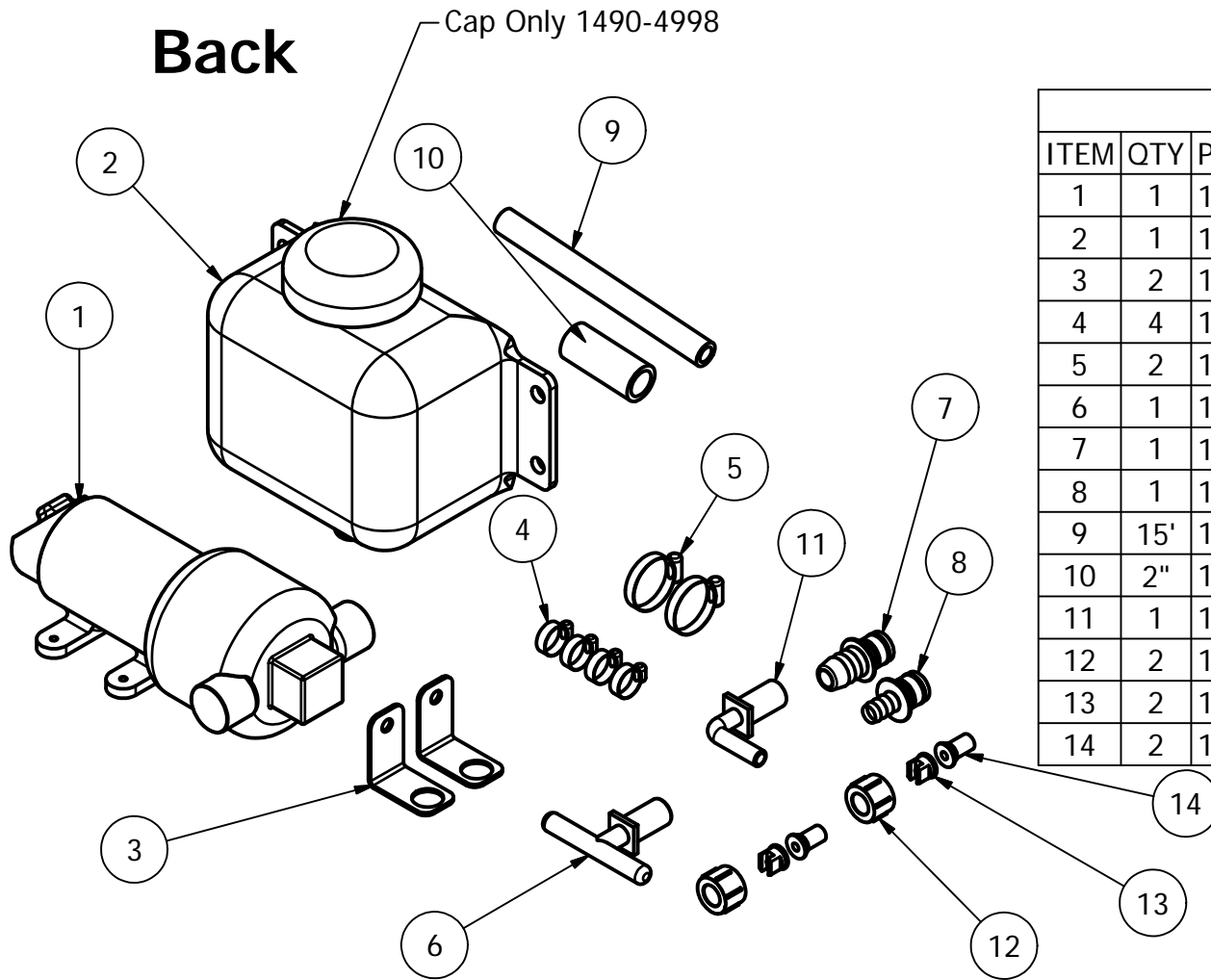


PARTS LIST			
ITEM	QTY	PART NUMBER	DESCRIPTION
1	1	1490-5929	2.1 GPM Pump
2	1	1490-2270	Reservoir Two Qt. Tank
3	2	1490-5773	Spray Oiler Mount
4	4	1490-5161	Worm Gear Hose Clamp 7/16 - 11/16
5	2	1490-5444	Worm Gear Hose Clamp 9/16 - 1 1/4
6	1	1490-5475	11/16 UN x 3/8 Barb Tee
7	1	1490-5976	5/8" Hose Barb Port Fitting
8	1	1490-6267	3/8" Hose Barb Port Fitting
9	15'	1490-5176	3/8" x .594" Braided Tubing
10	2"	1490-4945	5/8" Black Heater Hose
11	1	1490-5476	11/16 UN x 3/8 Barb Elbow
12	2	1490-5477	11/16 UN Spray Nozzle Cap Nut
13	2	1490-5897	TeeJet Spray Tip
14	2	1490-5478	50 Mesh Screen w/check valve

Oiler System uses a light weight mineral oil 1490-5912 (5-gallon) & 1490-4629 (Bulk) (Vegetable oils will gum up and eat the paint)

To convert to newer larger tank you need:
 6 Qt Oiler Reservoir 1490-6598
 Mounting Plate 1490-6614

Oiler Detail



PARTS LIST			
ITEM	QTY	PART NUMBER	DESCRIPTION
1	1	1490-5929	2.1 GPM Pump
2	1	1490-2270	Reservoir Two Qt. Tank
3	2	1490-5773	Spray Oiler Mount
4	4	1490-5161	Worm Gear Hose Clamp 7/16 - 11/16
5	2	1490-5444	Worm Gear Hose Clamp 9/16 - 1 1/4
6	1	1490-5475	11/16 UN x 3/8 Barb Tee
7	1	1490-5976	5/8" Hose Barb Port Fitting
8	1	1490-6267	3/8" Hose Barb Port Fitting
9	15'	1490-5176	3/8" x .594" Braided Tubing
10	2"	1490-4945	5/8" Black Heater Hose
11	1	1490-5476	11/16 UN x 3/8 Barb Elbow
12	2	1490-5477	11/16 UN Spray Nozzle Cap Nut
13	2	1490-5897	TeeJet Spray Tip
14	2	1490-5478	50 Mesh Screen w/check valve

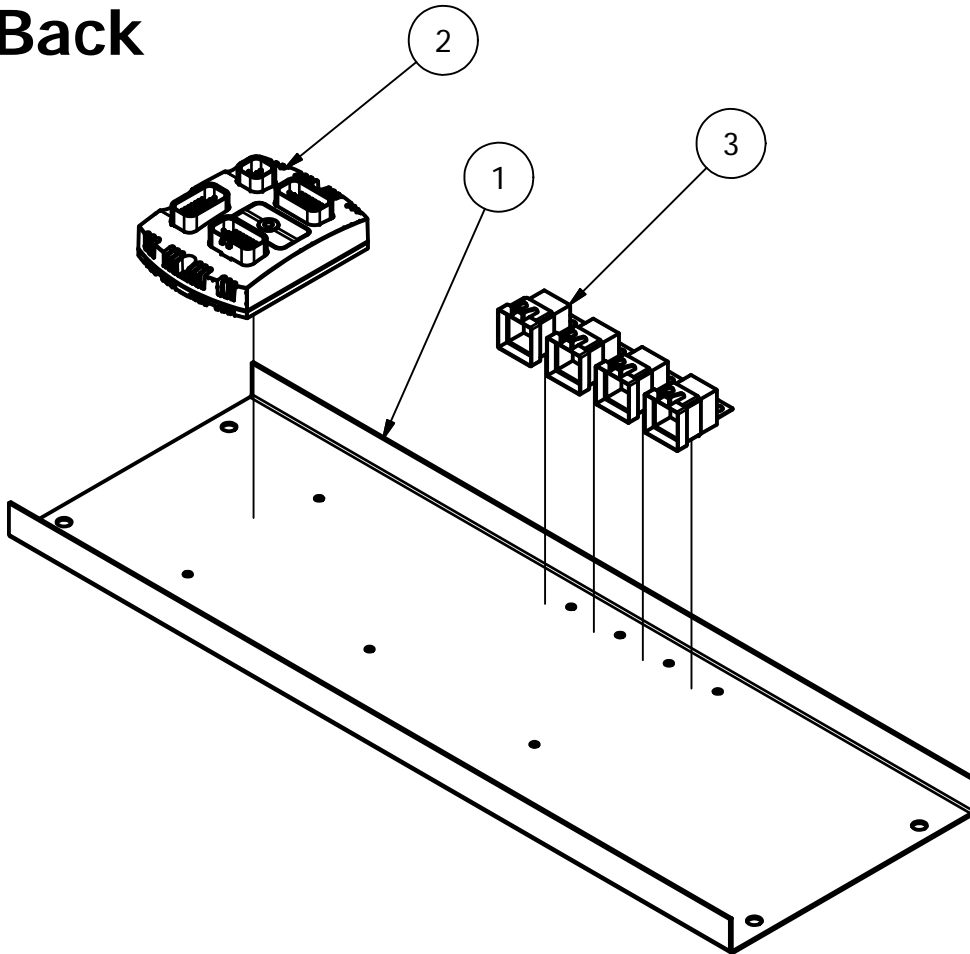
Oiler System uses a light weight mineral oil 1490-5912 (5-gallon) & 1490-4629 (Bulk) (Vegetable oils will gum up and eat the paint)

To convert to newer larger tank you need:
 6 Qt Oiler Reservoir 1490-6598
 Mounting Plate 1490-6614

ECU Plate Detail

Back

Home

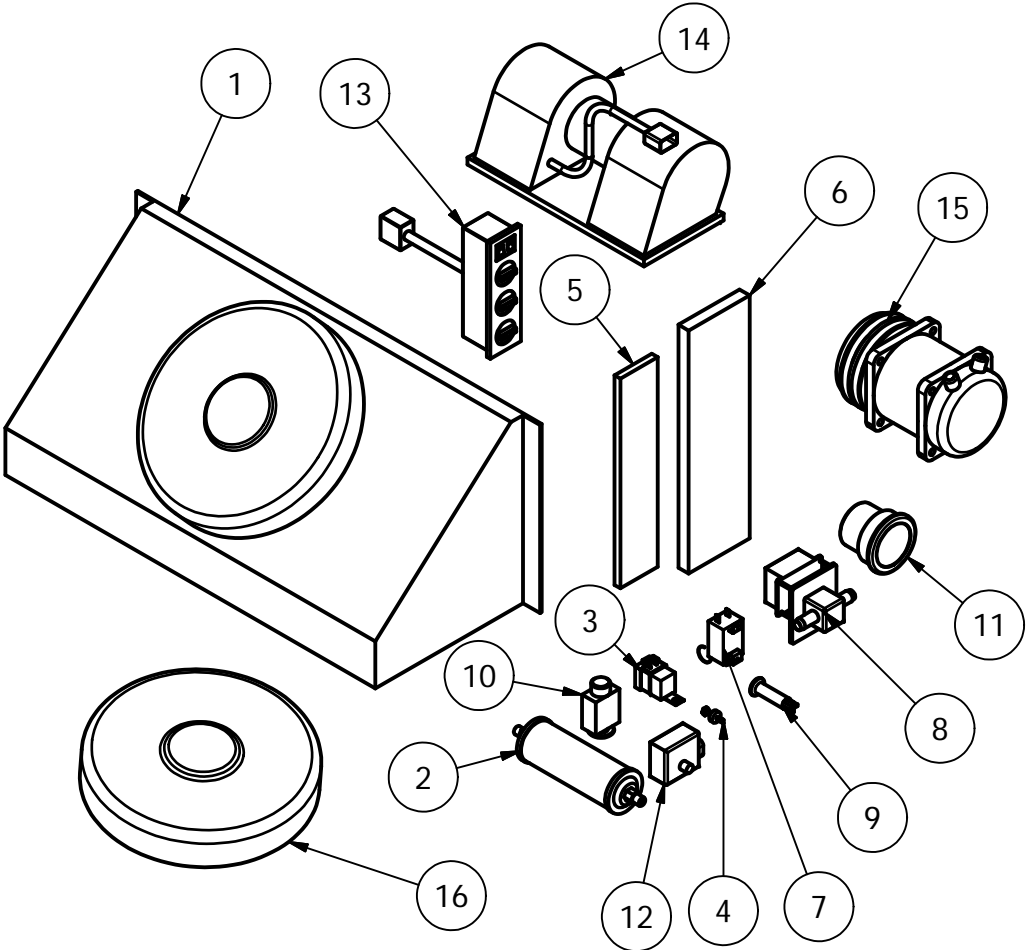


PARTS LIST			
ITEM	QTY	PART NUMBER	DESCRIPTION
1	1	5550-335	ECU Wiring Mount
2	1	1490-6083	Hydraforce 2415 ECU
3	4	1490-5053	Water Tight Relay 12V (A/C)

A/C Detail 2014 6500 & Newer

Back

Home



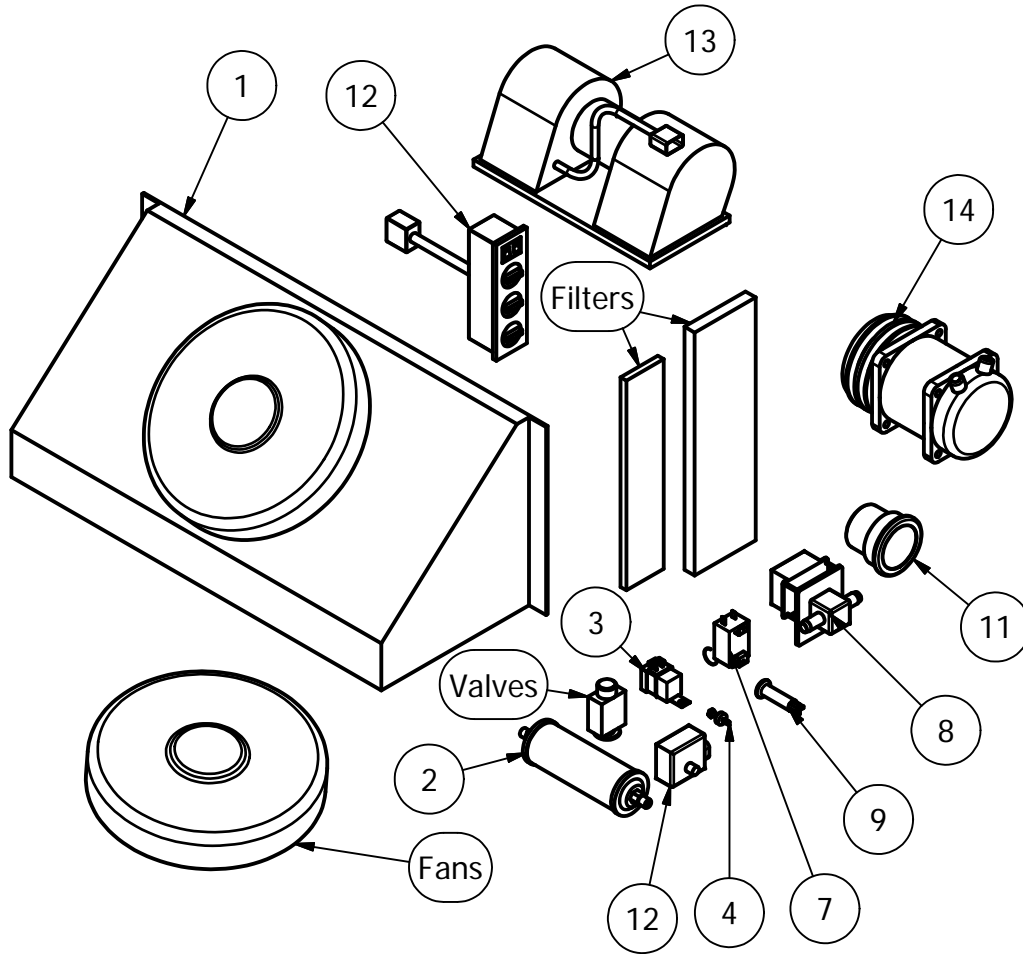
PARTS LIST			
ITEM	QTY	PART NUMBER	DESCRIPTION
1	1	1490-3737	Remote A/C Condensor Complete Assy
2	1	1490-4658	Receiver Drier
3	1	1490-5053	Water Tight Relay 12V (A/C)
4	1	1490-5629	Diode
5	1	1490-6329	Recirculating Filter (Foam)
6	1	1490-6328	Fresh Air Filter (Paper)
7	1	1490-6331	Thermostat
8	1	1490-6330	Water Valve 12V
9	1	1490-6336	Condensate drain duckbill
10	1	1490-6332	Expansion Valve
11	1	1490-6334	A/C louver vent
12	1	1490-6337	Air Flow Control Motor
13	1	1490-6335	A/C Control Panel
14	1	1490-6333	Blower Motor (Cab)
15	1	1490-4628	Compressor (4509, 4510, 6664, 6668)
16	1	1490-6572	Condenser Electric Fan

2014 & Newer / Charge with approx. 4-1/4 lbs of R-134A
Compressor comes fully charged with 8oz of oil

A/C Detail 2013 6500 & Older

Back

Home



PARTS LIST			
ITEM	QTY	PART NUMBER	DESCRIPTION
1	1	1490-3737	Remote A/C Condensor Complete Assy
2	1	1490-4658	Receiver Drier
3	1	1490-5053	Water Tight Relay 12V (A/C)
4	1	1490-5196	Diode
Filters	1	See Chart	Air Filters
7	1	1490-5817	Thermostat
8	1	1490-6596	Water Valve 12V
9	1	1490-5616	Condensate drain duckbill
Valves	1	See Chart	Expansion Valve
11	1	1490-5250	A/C louver vent
12	1	1490-5248	A/C Control Panel
13	1	1490-6123	Blower Motor (Cab)
14	1	1490-4628	Compressor (4509, 4510, 6664, 6668)
Fans	1	See Chart	Condensor Fans

2013 & Older / Charge with approx. 3-1/2 lbs of R-134A
Compressor comes fully charged with 8oz of oil

A/C Filters

[Back](#)

[Home](#)

A/C Fresh Air Filters (Outside)

S/N 339 & 348.....Red Dot 78R5200.....Donaldson P181054.....1490-6135
S/N 349, 352, 358-369, 371-608 & 610-657.....Red Dot 78R5320.....Donaldson P112671.....1490-5194
S/N 609, 658-later.....Aurora 436-440-0255.....1490-6328

A/C Recirculating Air Filters (Inside Paper)

S/N 339, 348 & 370.....Red Dot 78R5360.....1490-5223
S/N 349, 352, 358-369 & 371.....1490-5222
S/N 373-608 & 610-657.....Red Dot 78R5240.....1490-5615
S/N 609,658-later.....Aurora 436-440-0008.....1490-6329

A/C Secondary Air Filters (Inside Foil)

S/N 339, 348 & 370.....No Secondary Filter
S/N 349, 352, 358-369, 371-608 & 610-657.....Red Dot 78R5360.....1490-5223
S/N 609,658-later.....No Secondary Filter

Earlier Models

With Rectagular Filter (Inside Only).....1490-5203

With Sqare Filters.....Inside - 1490-5040 / Outside - 1490-5610

A/C Expansion Valves & Condensor Fans

[Back](#)

[Home](#)

A/C Expansion Valves

All 4400.....	1490-5327
All 6500 to S/N 657, (Exc. 609).....	1490-4659
All 6500 New Cab (609, 658 +).....	1490-6332

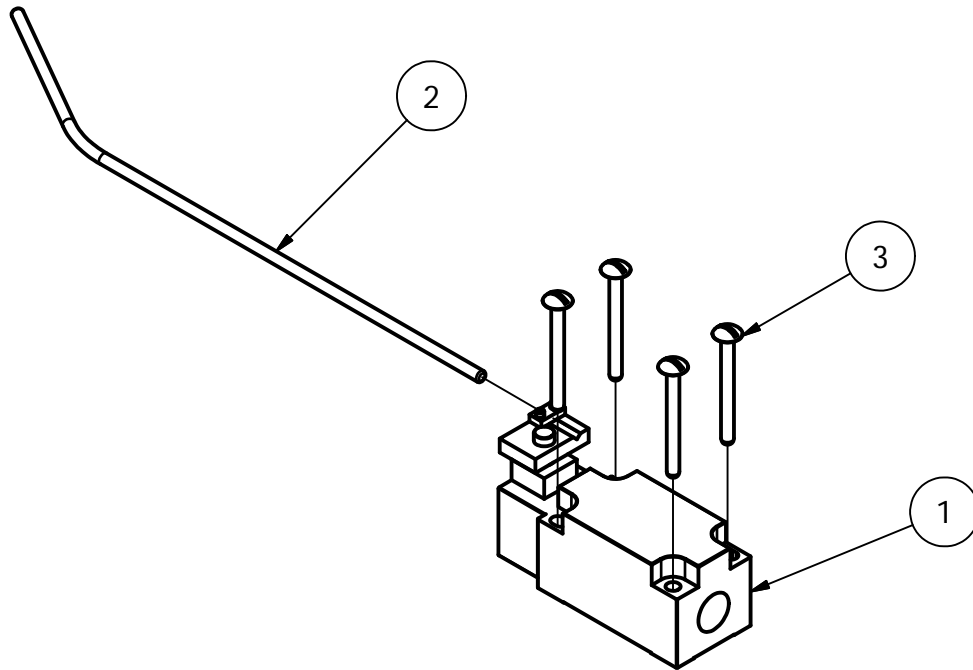
A/C Condensor Fans

Kysor (Black Square Unit)	
Fan Motor.....	1490-5613
Fan Blade.....	1490-5644
Red Dot (White Triangle Unit)	
Fan Motor.....	1490-5342
Fan Blade.....	1490-6008
Units with Electric Fans.....	1490-6572

1/4 Turn Microswitch Detail

Back

Home

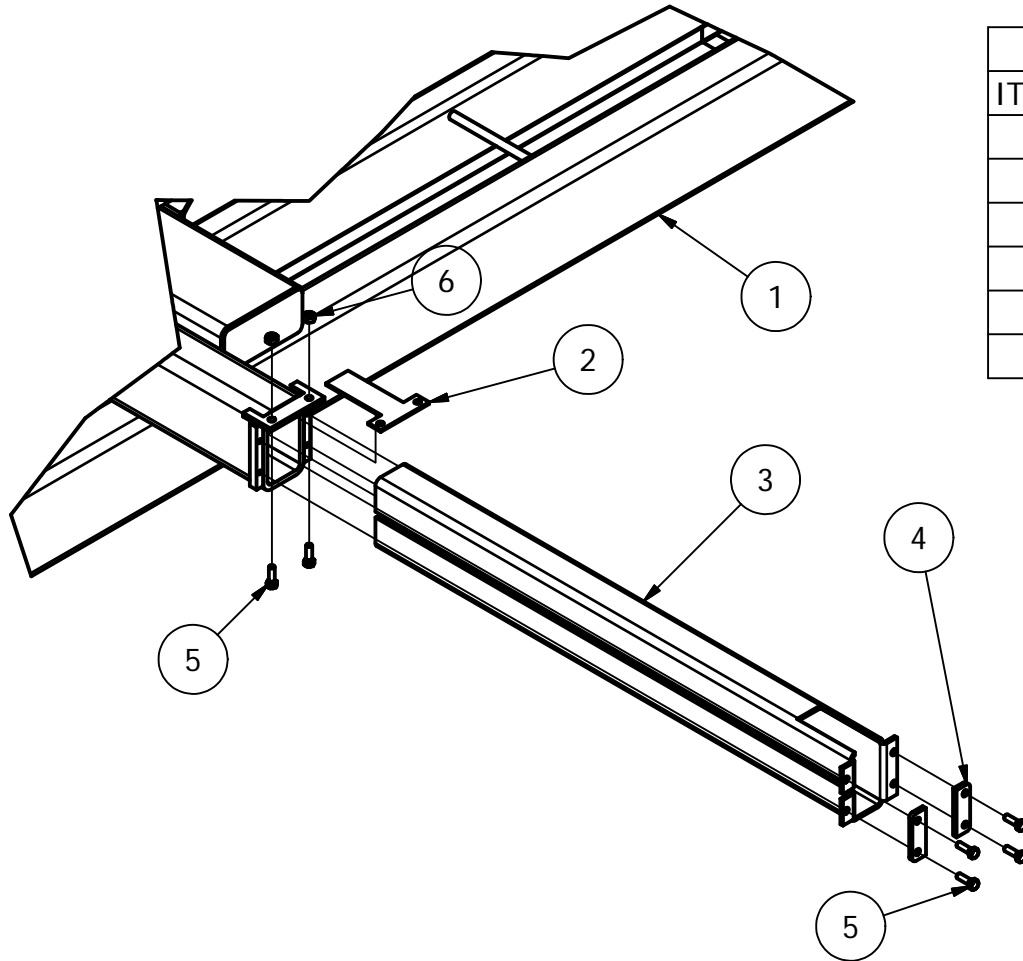


PARTS LIST			
ITEM	QTY	PART NUMBER	DESCRIPTION
1	1	1490-5894	Limit Switch w/rod mount
2	1	1490-6307	Rod for 1/4 Turn Limit Switch
3	4	10-24 X 2	Machine Screw

Squeeze Rail Poly Detail

Back

Home



PARTS LIST			
ITEM	QTY	PART NUMBER	DESCRIPTION
1	1	6560A	500 Series Stacking Main Slide Assembly
2	4	2460-328	Squeeze Wear Plate
3	4	2460-331	36" Squeeze Poly Liner
4	8	2460-320	Squeeze Poly Strap
5	24	5/16-18 X 1	Hex Bolt
6	8	5/16 - 18	Hex Nut

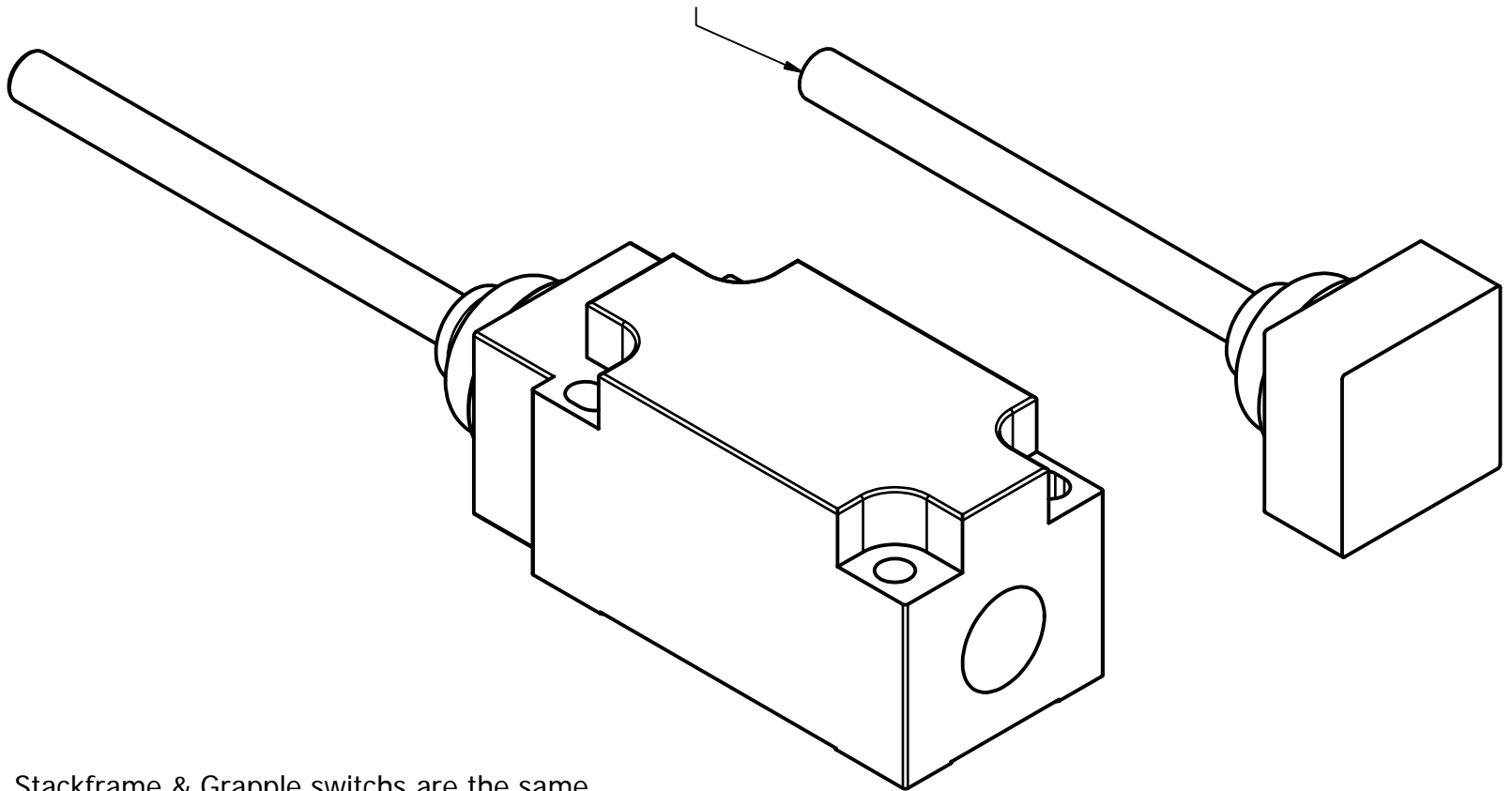
StackFrame Microswitch

1490-5764

Back

Home

Head assy Only W/Spring Arm
1490-6080



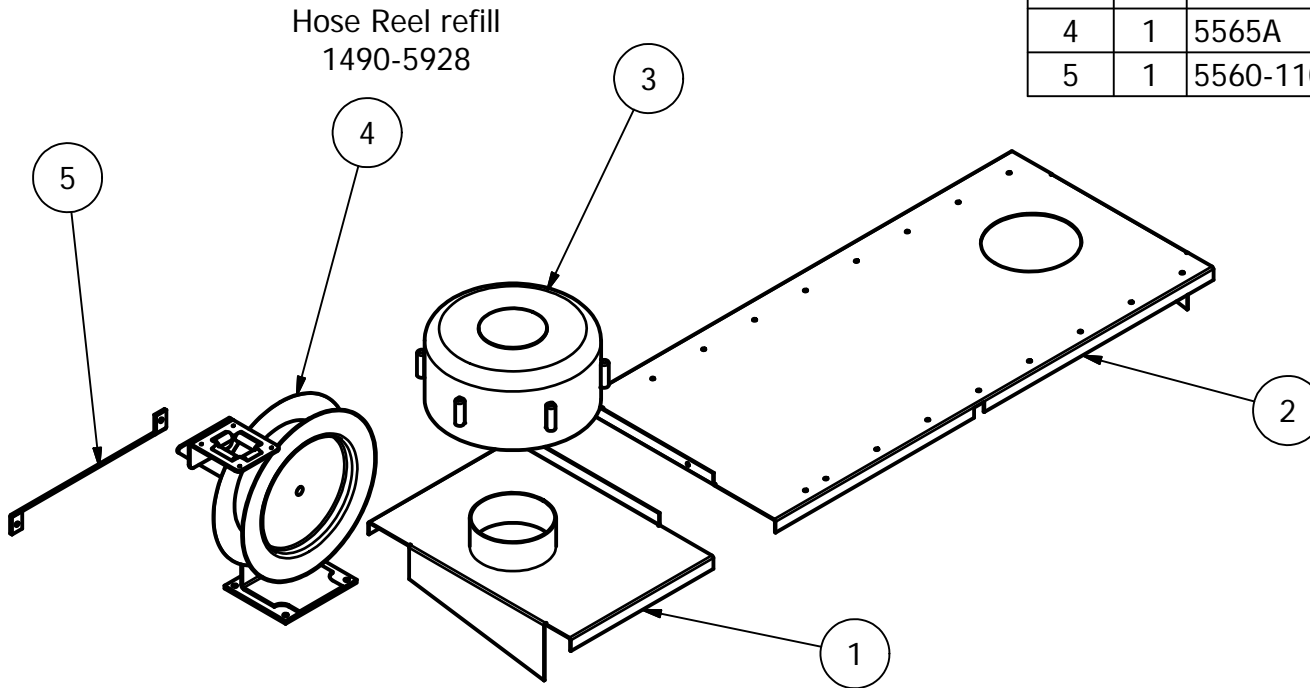
Stackframe & Grapple switches are the same

Air Chamber Detail

Back

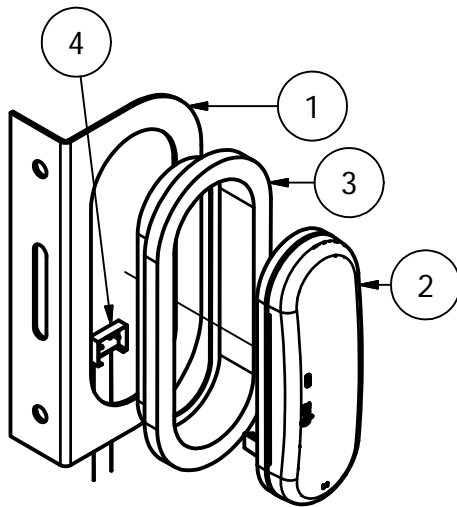
Home

PARTS LIST			
ITEM	QTY	PART NUMBER	DESCRIPTION
1	1	2000A14	Front Air Cleaner Chamber Plate
2	1	2000-421	Air Cleaner Chamber Rear Plate
3	1	1490-4768	Model 6-350/1100 Precleaner
4	1	5565A	Hose Reel Assy (Complete W/Hose)
5	1	5560-110	Air Reel Support Strap

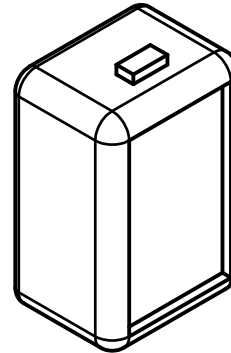


Compartment Light Detail

Back

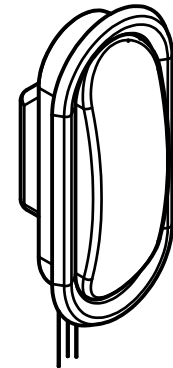


Newer units with LED lights
each piece sold seperately



Older units with switch on the light
Part #1490-4456

Home



Older units with switch in cab
Part #1490-6047
Comes as a complete unit
light, grommet, pig-tail

PARTS LIST

ITEM	QTY	PART NUMBER	DESCRIPTION
1	1	1490-3502	Black Steel Oval Light Bracket
2	1	1490-6321	Oval 6" LED Dome Compartment Light
3	1	1490-6265	Rubber Grommet for Tail lights
4	1	14906322	2-Pin Pig-Tail

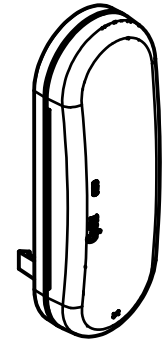
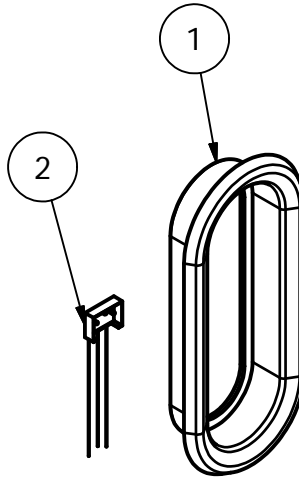
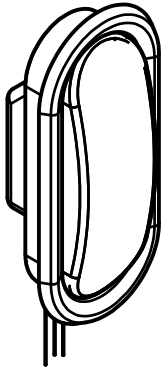
Turn/Brake Lights

Back

Home

Incandescent

L.E.D



1490-3384 & 1490-4651

Red Amber

Comes as a complete assembly including grommet & pig-tail

PARTS LIST

ITEM	QTY	PART NUMBER	DESCRIPTION
1	1	1490-6265	Light Grommet
2	1	1490-6266	3-Pin Pig-Tail

These parts are the same for either type of light

1490-6188 & 1490-6189

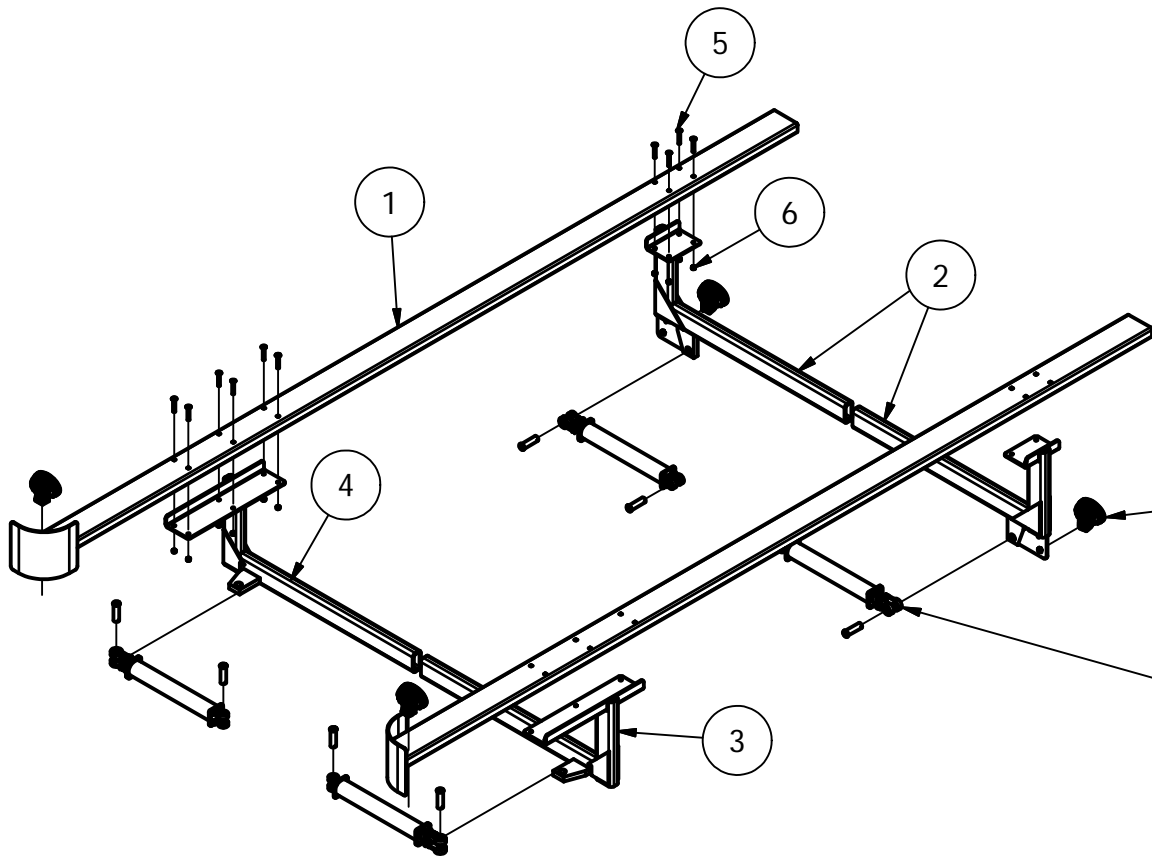
Red Amber

**Light only
grommet & pig-tail sold seperately**

Squeeze Rail Detail

Back

Home



PARTS LIST			
ITEM	QTY	PART NUMBER	DESCRIPTION
1	2	6563A1	Squeeze Tube Weldment
2	2	6563A2	Rear Squeeze Arm
3	1	6563A3	LH Front Squeeze Arm
4	1	6563A4	RH Front Squeeze Arm
5	20	Bolt	3/8 X 2-3/4 Cairrage Bolt
6	20	3/8	Hex Nut

Lights

Squeeze Rail
Cylinders

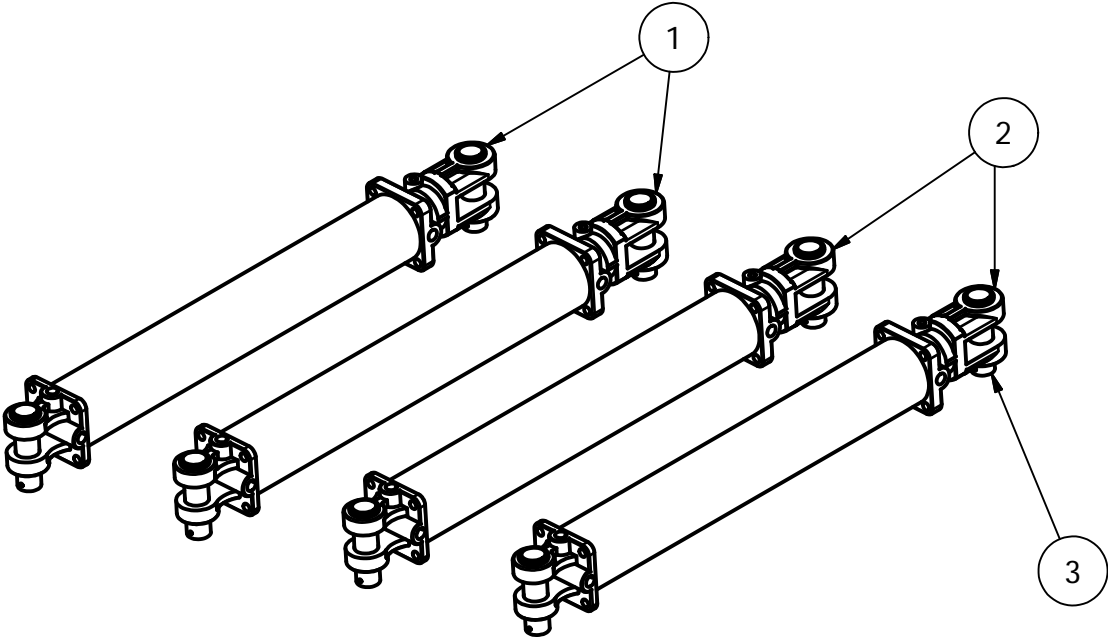


Squeeze Rail Cylinders

[Back](#)

[Home](#)

PARTS LIST			
ITEM	QTY	PART NUMBER	DESCRIPTION
1	2	1490-4454	Front Squeeze Cylinder 3-3/4 x 16 x 1-3/8
2	2	1490-4453	Rear Squeeze Cylinder 3-1/2 x 16 x 1-1/4
3	8	1490-1863	1 x 3-1/8 Cyl Pin



**Rear Cylinder Seal Kit
Part # 1490-5025**

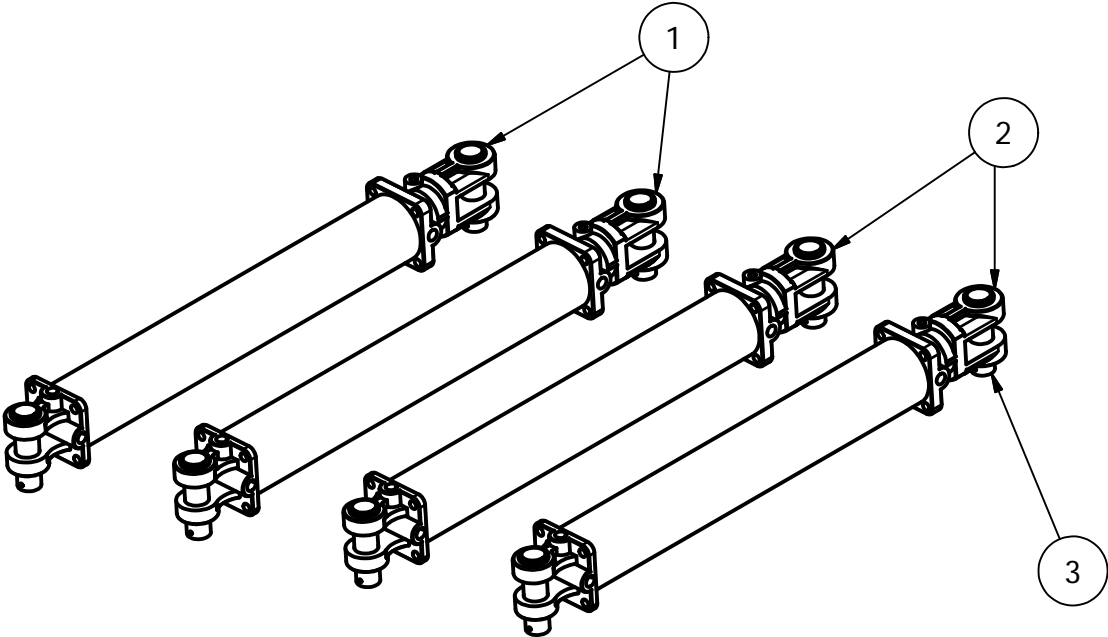
**Front Cylinder Seal Kit
Part # 1490-5026**

Squeeze Rail Cylinders

[Back](#)

[Home](#)

PARTS LIST			
ITEM	QTY	PART NUMBER	DESCRIPTION
1	2	1490-4454	Front Squeeze Cylinder 3-3/4 x 16 x 1-3/8
2	2	1490-4453	Rear Squeeze Cylinder 3-1/2 x 16 x 1-1/4
3	8	1490-1863	1 x 3-1/8 Cyl Pin



**Rear Cylinder Seal Kit
Part # 1490-5025**

**Front Cylinder Seal Kit
Part # 1490-5026**

Rear Axle Components

Back

Home

**Complete
Assy**

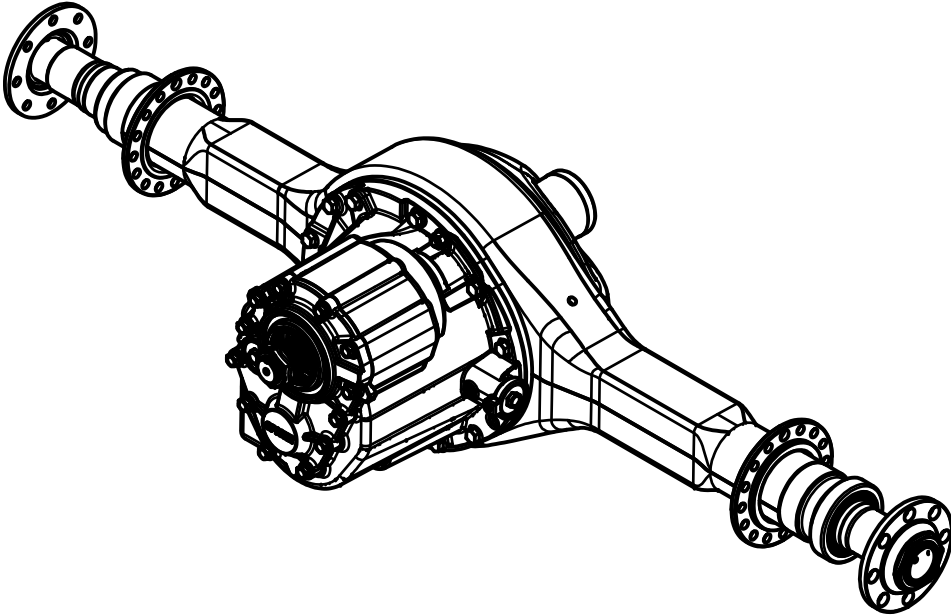
**Drive
Axle**

**Hub &
Brakes**

**Wheel Studs
& Nuts**

**Seals &
Bearings**

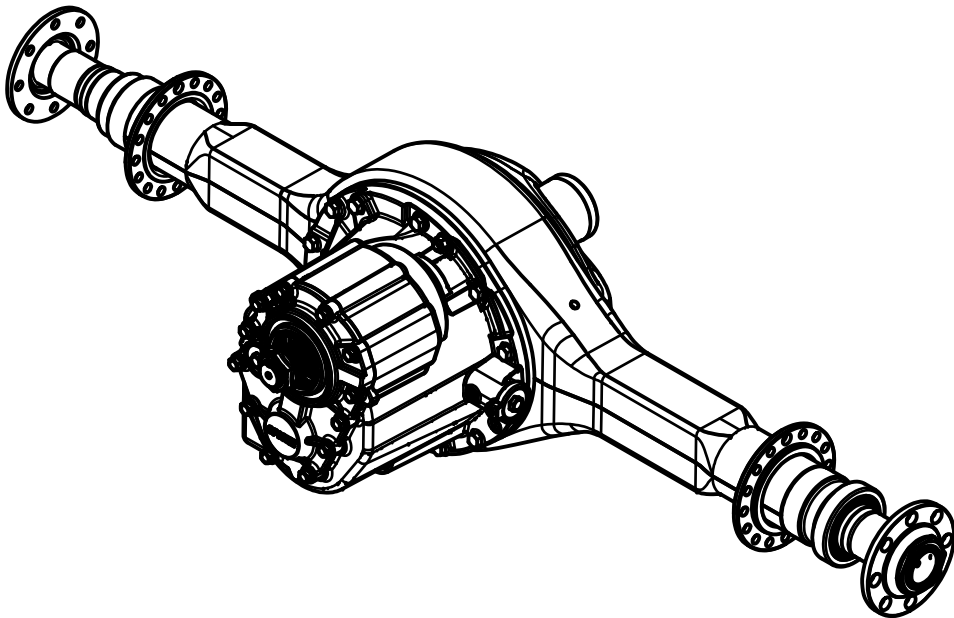
**Drive
Shaft**



Rear Axle Assemblies

[Back](#)

[Home](#)



**Complete Axle Assy S26-590
Part #1490-6183**

(No Hub or Drum)

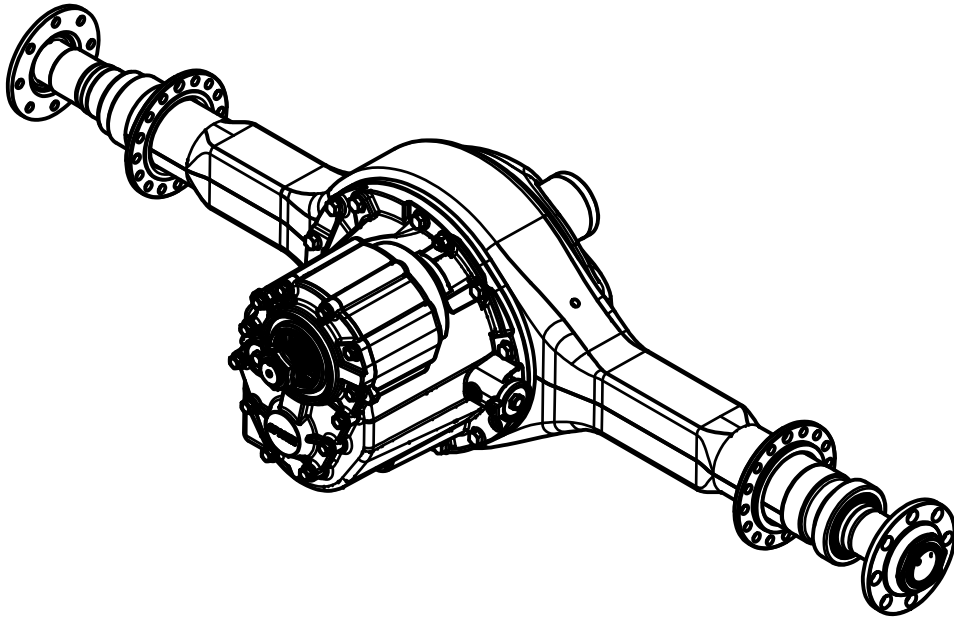
**Complete Loaded Head Assy
Part #1490-6009**



Rear Axle Seals & Bearings

[Back](#)

[Home](#)



**Inner Rear Axle Bearing
Part #1490-6018**

**Outer Rear Axle Bearing
Part #1490-6019**

**Rear Wheel Seal
Part #1490-5165**

**Rear Wheel Wear Sleeve
Part #1490-5503**

Wheel Stud & Nut Detail

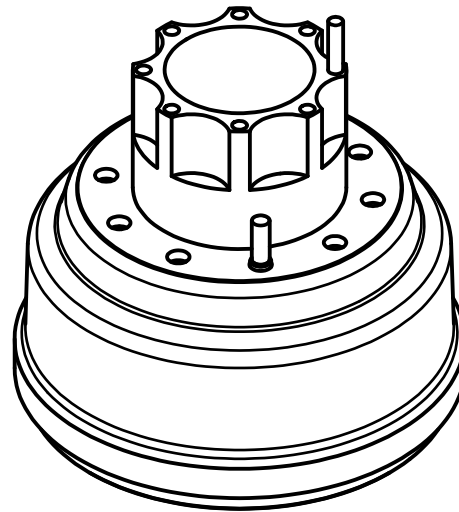
Back

Duals

Euclid Nut Rear LH
Inner 1490-6221
Outer 1490-5798

Euclid Nut Rear RH
Inner 1490-6220
Outer 1490-5797

**Rear Hub &
Brake**



Home

Singles

Euclid Rear 3/4-16 LH
Stud Part #1490-4486
Nut Part #1490-2335

Euclid Rear 3/4-16 RH
Stud Part #1490-4485
Nut Part #1490-2336

**Rear Axle
Detail**

Rear Axle Plate Detail

Back

Home

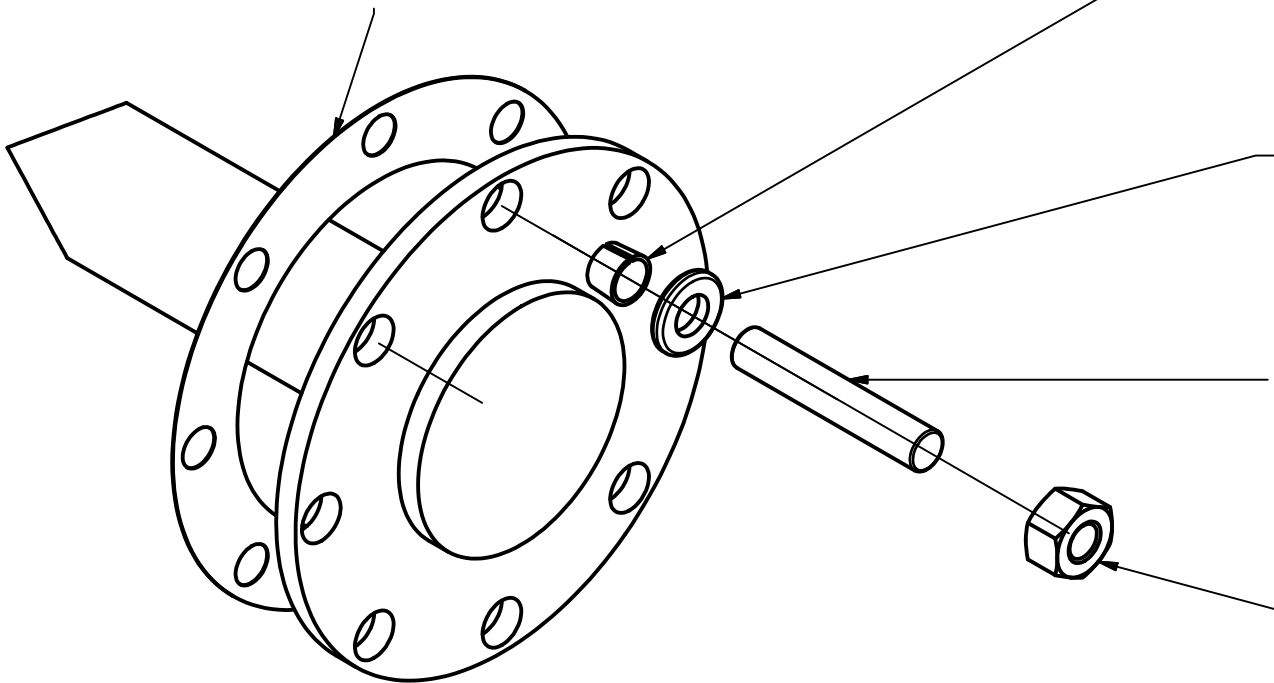
**Axle Flange Gasket
Part #1490-5821**

**Axle Shaft Cone
Part #1490-5605**

**Axle Shaft Washer
Part #1490-5606**

**Axle Drive Stud
Part #1490-5027**

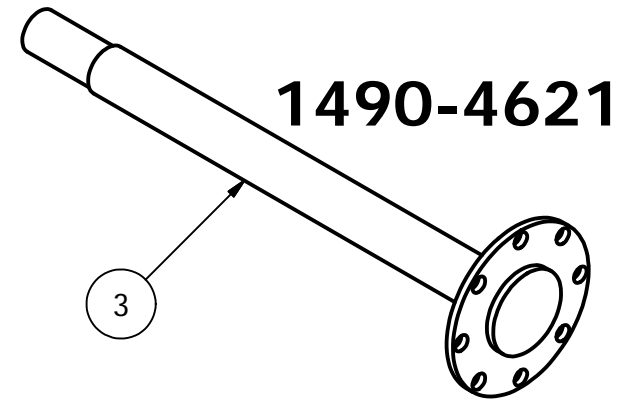
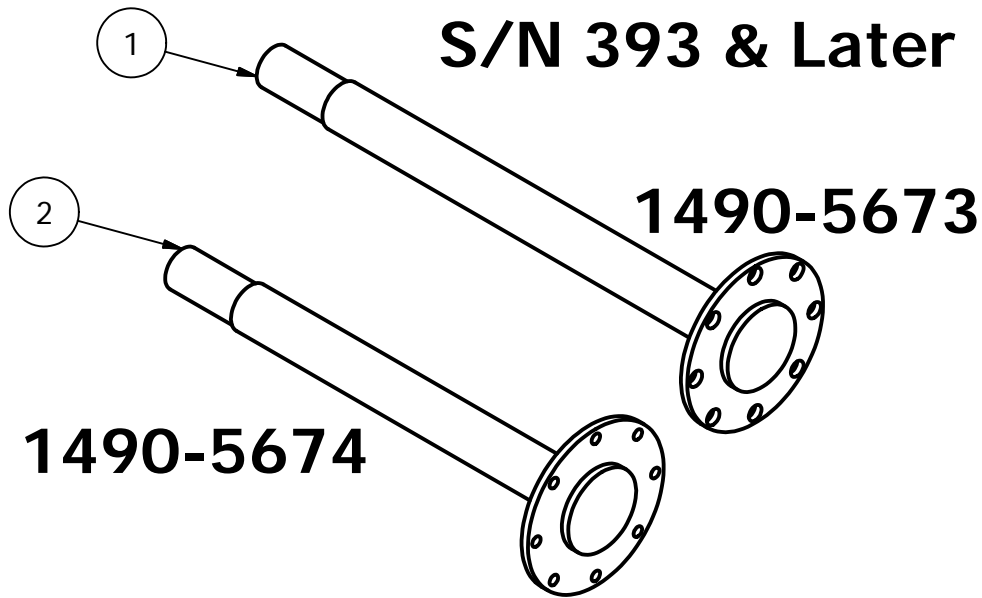
**Axle Shaft Nut
Part #1490-5607**



Rear Axle Shaft

Back

Home



Can use 1490-5586 Eaton Axle Shaft HD
(Heavy Duty 2.25" Not recommended)

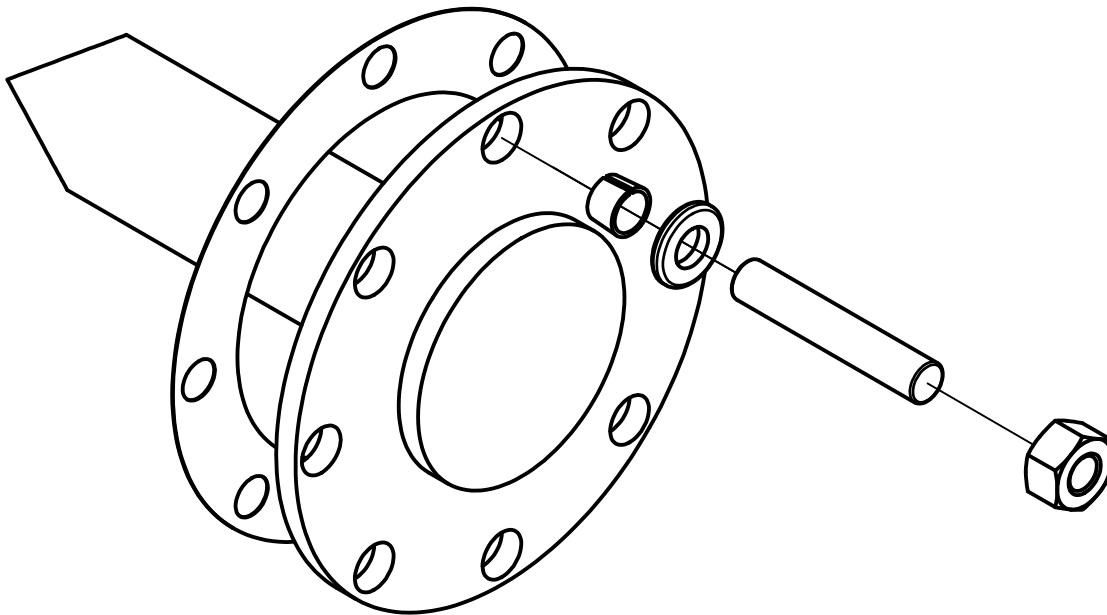
Rear Axle Plate Detail

PARTS LIST			
ITEM	QTY	PART NUMBER	DESCRIPTION
1	1	1490-5673	Eaton Axle Shaft-Long (LH S26-590 2.25")
2	1	1490-5674	Eaton Axle Shaft-Short (RH S26-590 2.25")
3	1	1490-4621	Eaton Axle Shaft (Standard 2.06" x 36 Spine)

Rear Axle Plate Detail

Back

**Axle Flange Gasket
Part #1490-5821**



Home

**Axle Drive Stud
Part #1490-5027**

**Axle Shaft Nut
Part #1490-5607**

**Axle Shaft Washer
Part #1490-5606**

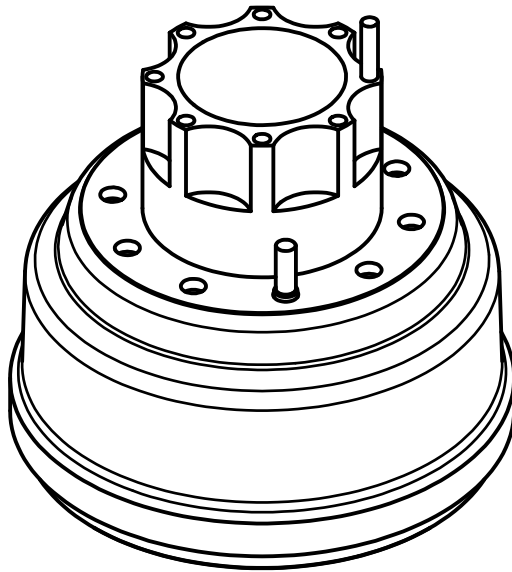
**Axle Shaft Cone
Part #1490-5605**

Rear Axle Brake Parts

Hub & Drum Assemblies Come with Wheel & Axle Plate Studs
(No Nuts, Cones, Washers, or Gasket)

[Back](#)

[Home](#)



RH Hub & Drum Assy
Part #1490-5835

LH Hub & Drum Assy
Part #1490-5836

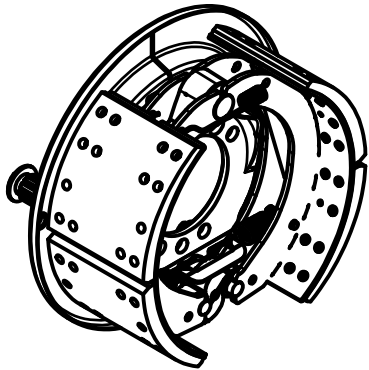
Eaton Lined Shoe Set
Part #1490-4907
(1 Per Wheel)

Brake Pad Sets

(come with mounting Hardware Kit)

[Back](#)

[Home](#)



Front Axle

Eaton Lined Shoe Set

Part #1490-4906

(1 set per Wheel)

Rear Axle

Eaton Lined Shoe Set

Part #1490-4907

(1 set per Wheel)

Drive Shaft Parts

[Back](#)

[Home](#)

**Complete PTS Driveshaft Assy W/U-Joints
and "K" Fuses Part #1490-5718**

U-Joint Only Part # 1490-2454

"K" Fuse Set Part # 1490-5749

Front Axle Components

Back

Home

Brakes

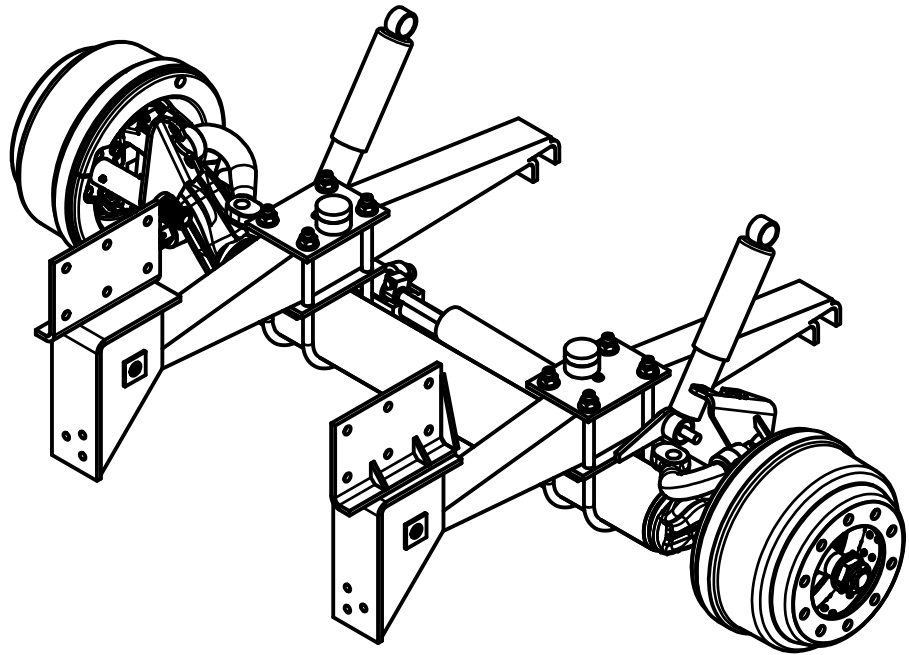
Wheel
Studs

Steering

Shocks &
Bumper

Springs &
Hangers

Other



**Front Axle Wheel
Studs & Nuts**

[Back](#)

[Home](#)

**Euclid Stud Front Hub Pilot M22x1.5
Part # 1490-5803**

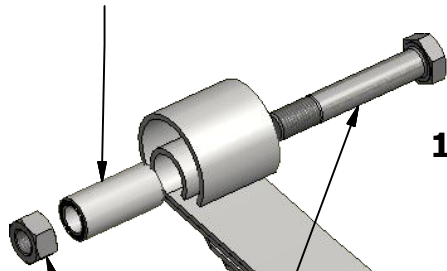
**Euclid Nut Front Hub Pilot M22x1.5
Part # 1490-5794**

Front Axle 4 Leaf Spring Stack 1490-5548

[Back](#)

[Home](#)

1490-4428 Spring Bushing

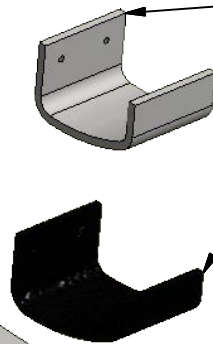


1490-6017 Center Bolt (includes nut)

PARTS LIST		
QTY	PART NUMBER	DESCRIPTION
1	1490-5765	Top Main Leaf
1	1490-5979	#2 Wrap Around Leaf

#3 & 4 leafs are non-stocking parts

1490-4576 Poly Slipper Spring Mounting Plate
1490-4575 Front Poly Wear Pad Kit (one per side)



1490-5003 1-1/4 X 7-1/2 Spring Bolt
1490-5004 1-1/4 Spring Nut

1490-4962...7/8 X 4 X 10 U-Bolts
1490-5405 ...7/8 -14 NF Nut
1490-6022...7/8 Hard Washer



Front Axle 11 Leaf Spring Stack 1490-4400

Back

Home

1490-4428 Spring Bushing

1490-4974 Center Bolt (includes nut)

1490-5003 1-1/4 X 7-1/2 Spring Bolt
1490-5004 1-1/4 Spring Nut

1490-4576 Poly Slipper Spring Mounting Plate
1490-4575 Front Poly Wear Pad Kit (one per side)

PARTS LIST		
QTY	PART NUMBER	DESCRIPTION
1	1490-4413	No. 1 Top Leaf
1	1490-4414	No. 2 Wrap Around Leaf
1	1490-4415	No. 3 Leaf Spring
1	1490-4416	No. 4 Leaf Spring
1	1490-4417	No. 5 Leaf Spring
1	1490-4418	No. 6 Leaf Spring
1	1490-4419	No. 7 Leaf Spring
1	1490-4420	No. 8 Leaf Spring
1	1490-4421	No. 9 Leaf Spring
1	1490-4422	No. 10 Leaf Spring
1	1490-4423	No. 11 Leaf Spring
1	1490-4990	No. 12 Extra Leaf (9500#)

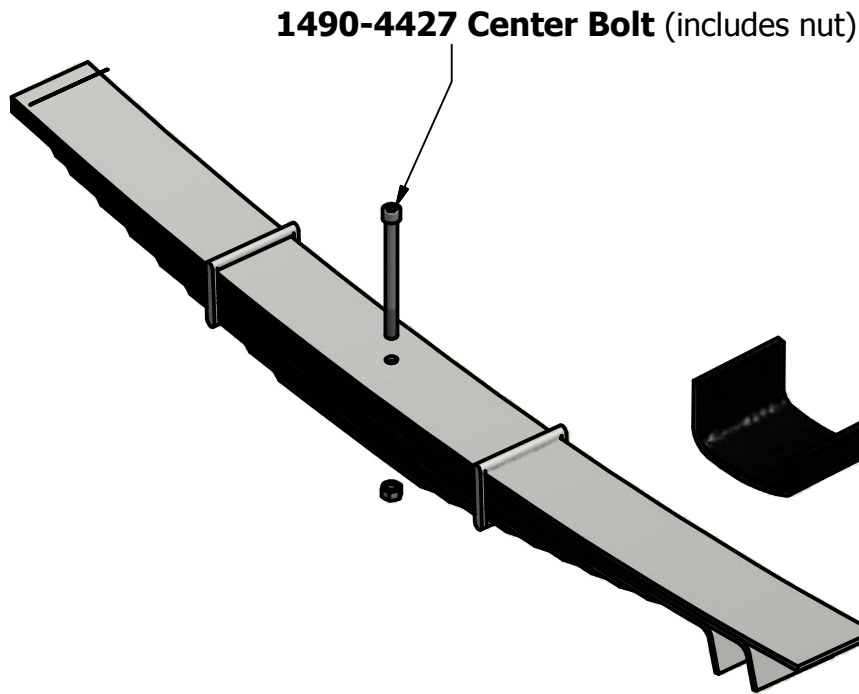
The 12th (extra) leaf is added in the #3 position to make the stack a 9500# stack

11 Leaf Rear Spring Stack

1490-5340

Back

Home



1490-4427 Center Bolt (includes nut)

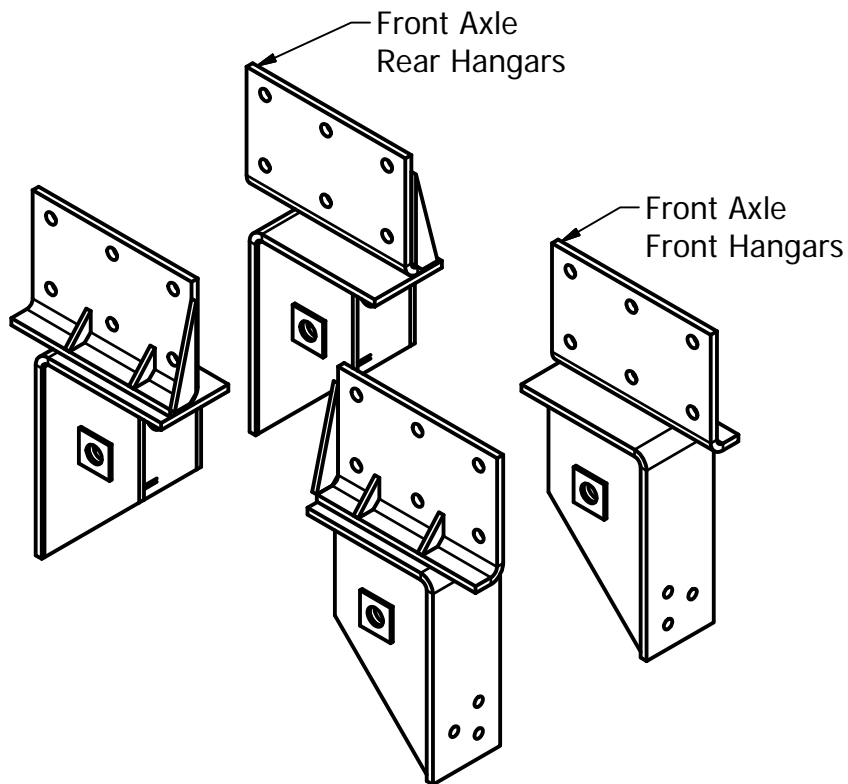
1490-4053 Rear Poly Wear Pad Kit (one per side)

PARTS LIST		
QTY	PART NUMBER	DESCRIPTION
1	1490-5745	No. 1 Top Leaf
1	1490-5990	No. 2 Leaf Spring
1	1490-6016	No. 3 Leaf Spring
1	1490-4424	No. 5 Leaf Spring
1	1490-4425	No. 6 Leaf Spring
1	1490-5899	No. 8 Leaf Spring
1	1490-4426	No. 10 Leaf Spring

Spring Hangars

[Back](#)

[Home](#)



Front Axle

- LH Front Spring Hanger.....1490-4729
- RH Front Spring Hanger.....1490-4728
- LH Rear Spring Hanger.....1490-4730
- RH Rear Spring Hanger.....1490-4731

Rear Axle

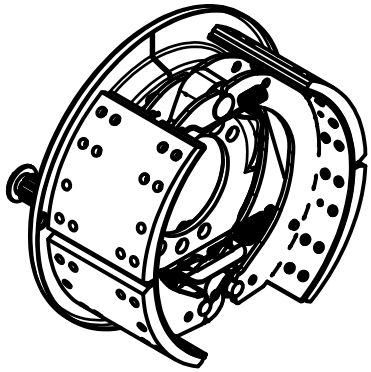
(Not Pictured)

- LH Rear Spring Hanger.....1490-5339
 - RH Rear Spring Hanger.....1490-5403
-

Front Axle Brake Parts

[Back](#)

[Home](#)



Eaton Lined Shoe Set
Part #1490-4906

Steering Components

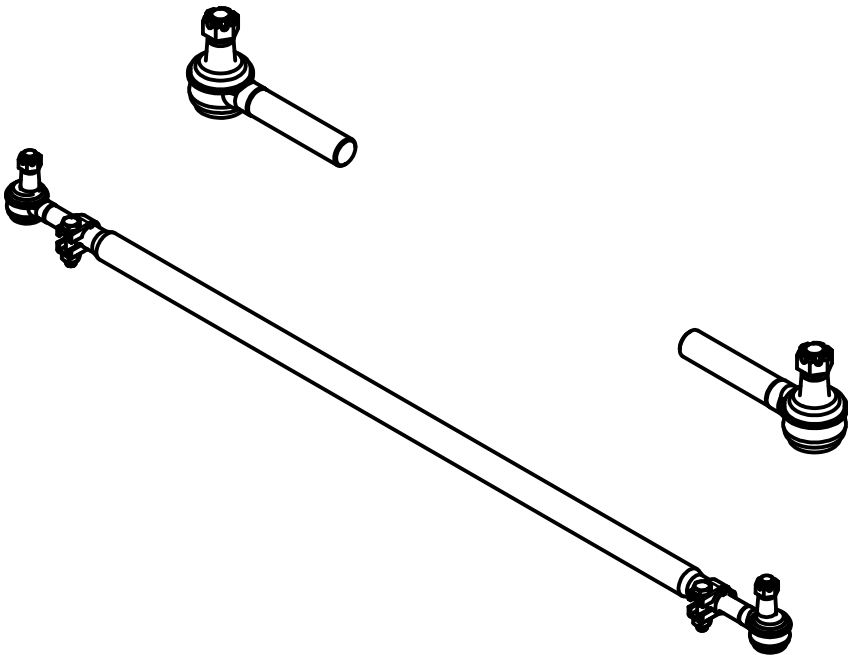
[Back](#)

[Home](#)

Complete Tie Rod Assy
Part #1490-6031

LH Tie Rod End
Part #1490-4661

RH Tie Rod End
Part #1490-4662

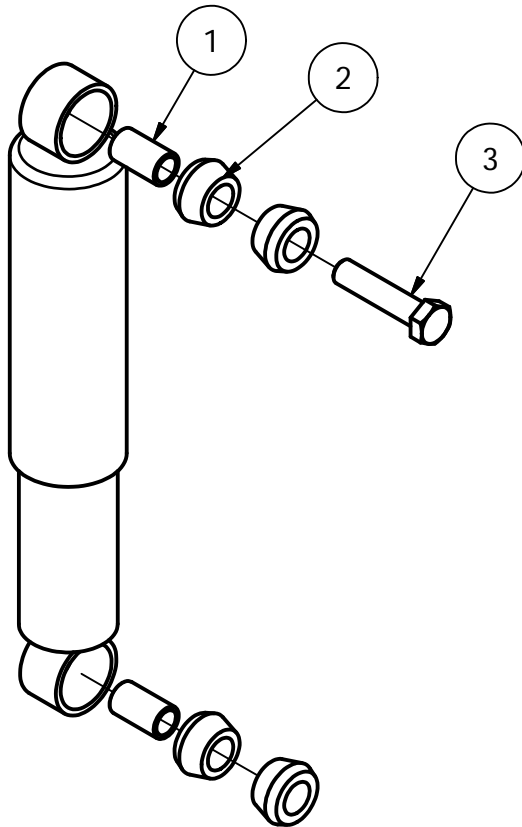


Front Axle Shock Part # 1490-5181

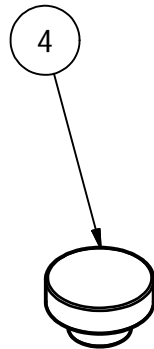
W/Bushings & Spacer
(No Bolt)

[Home](#)

Back



PARTS LIST			
ITEM	QTY	PART NUMBER	DESCRIPTION
1	2	1490-5301	Front Shock Spacer Sleeve
2	4	1490-6232	35-16 Bushings for Front Shock
3	1	CCC # 25-609	3/4-10 UNC - 3.25 Gd 8
4	1	1490-4068	Front Axle Bumper

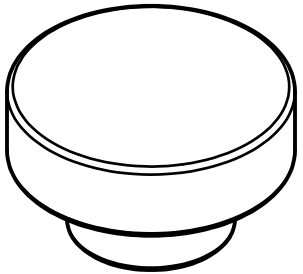


Bumper Sold Separately

Front Axle Misc Parts

[Back](#)

[Home](#)



Axle Bumper
Part # 1490-4068



Tire & Wheels

[Back](#)

[Home](#)

Rear Wheel Part.....#1490-5774

22.5x24 10 Hole 7MM 9.38 Backset (Stud Pilot)

Rear Tire Part..... #1490-6202

710/45-22.5 Vredistien (inflate to 60 psi)

Front Wheel Part.....#1490-5775

22.5x13 10 Hole 7MM 11.50 Backset (Hub Pilot)

Front Tire Part..... #1490-4021

445/65-22.5 Goodyear

Old style (Ball End) Tilt Cylinders

[Back](#)

[Home](#)

2-1/4 X 13 Tilt Cylinders

500 Series S/N 479 & Earlier except 322, 339, 348 Part # 5530203

Seal Kit Part # 14904756

2-1/4 X 12 Tilt Cylinders

500 Series S/N 322, 339, 348.....Part # 5530202

Seal Kit Part # 14904756

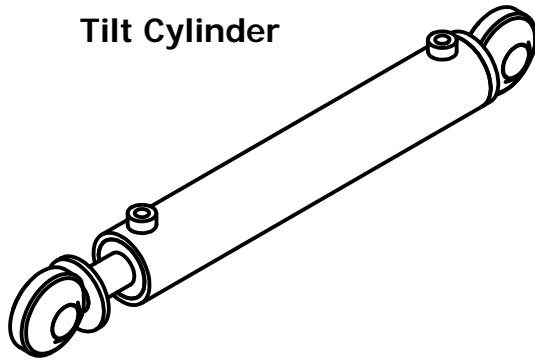
Ball End Sockets for Cylinders

3-1/8" Ball Joint W/Spotface (For Rod End).....Part # 14905193

Steel Ring Base that welds around the Rod.....Part # 14901678

3-1/8" Ball Joint W/O Spotface (For Base End)..Part # 14905152

Tilt Cylinder



Welded Dimension 21-11/16" (5530203)

Welded Dimension 20-3/4" (5530202)

⌀ to ⌀ of Ball Joint

Old style (Tie Rod) Tilt Cylinders

Old style (Ball End) Tilt Cylinders

[Back](#)

[Home](#)

2-1/4 X 13 Tilt Cylinders

500 Series S/N 479 & Earlier except 322, 339, 348 Part # 5530203

Seal Kit Part # 14904756

2-1/4 X 12 Tilt Cylinders

500 Series S/N 322, 339, 348.....Part # 5530202

Seal Kit Part # 14904756

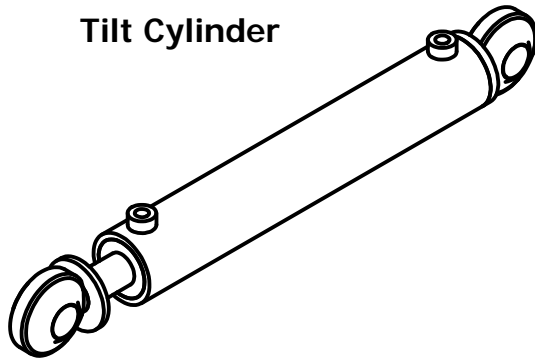
Ball End Sockets for Cylinders

3-1/8" Ball Joint W/Spotface (For Rod End).....Part # 14905193

Steel Ring Base that welds around the Rod.....Part # 14901678

3-1/8" Ball Joint W/O Spotface (For Base End)..Part # 14905152

Tilt Cylinder



Welded Dimension 21-11/16" (5530203)

Welded Dimension 20-3/4" (5530202)

⌀ to ⌀ of Ball Joint

Old style (Tie Rod) Tilt Cylinders

Old style (Ball End) Tilt Cylinders

[Back](#)

[Home](#)

2-1/4 X 13 Tilt Cylinders

500 Series S/N 479 & Earlier except 322, 339, 348 Part # 5530203

Seal Kit Part # 14904756

2-1/4 X 12 Tilt Cylinders

500 Series S/N 322, 339, 348.....Part # 5530202

Seal Kit Part # 14904756

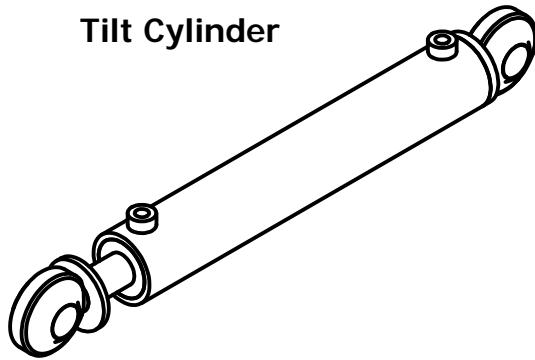
Ball End Sockets for Cylinders

3-1/8" Ball Joint W/Spotface (For Rod End).....Part # 14905193

Steel Ring Base that welds around the Rod.....Part # 14901678

3-1/8" Ball Joint W/O Spotface (For Base End)..Part # 14905152

Tilt Cylinder



Welded Dimension 21-11/16" (5530203)

Welded Dimension 20-3/4" (5530202)

⌀ to ⌀ of Ball Joint

Old style (Tie Rod) Tilt Cylinders

Old style (Ball End) Tilt Cylinders

[Back](#)

[Home](#)

2-1/4 X 13 Tilt Cylinders

500 Series S/N 479 & Earlier except 322, 339, 348 Part # 5530203

Seal Kit Part # 14904756

2-1/4 X 12 Tilt Cylinders

500 Series S/N 322, 339, 348.....Part # 5530202

Seal Kit Part # 14904756

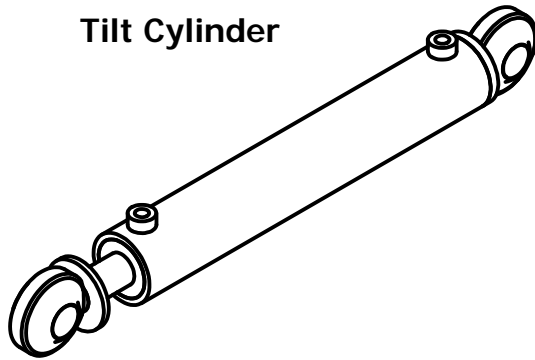
Ball End Sockets for Cylinders

3-1/8" Ball Joint W/Spotface (For Rod End).....Part # 14905193

Steel Ring Base that welds around the Rod.....Part # 14901678

3-1/8" Ball Joint W/O Spotface (For Base End)..Part # 14905152

Tilt Cylinder



Welded Dimension 21-11/16" (5530203)

Welded Dimension 20-3/4" (5530202)

⌀ to ⌀ of Ball Joint

Old style (Tie Rod) Tilt Cylinders

Old Style Tie-Rod Tilt & Push-Off Cylinders

[Back](#)

You must verify with the customer what cylinder they have

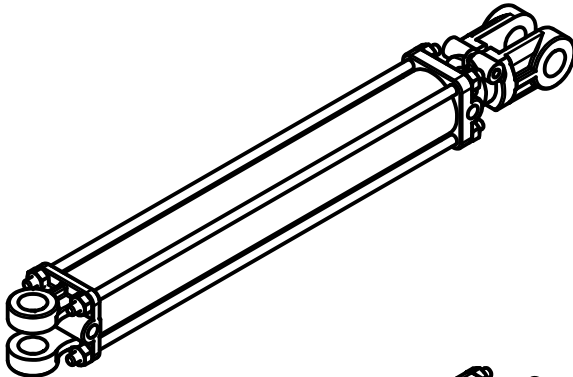
[Home](#)

Tie-Rod Tilt Cylinders

3 X 10 X 1-1/2 (13" Tube) Part # 14901895

3 X 11-1/2 X 1-1/2 (14-1/2" Tube) Part # 14904124

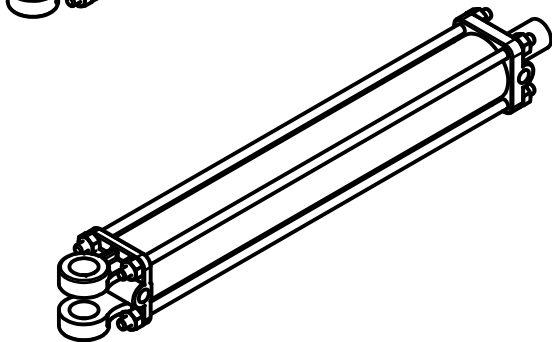
(14904124 has a 1" base pin and comes
with the 14904725 Weed-Guard Rod end)



Tie-Rod Push-Off Cylinders

3 X 10 X 1-1/2 (13" Tube) Part # 14901896

3 X 11-1/2 X 1-1/2 (14-1/2" Tube) Part # 14904125



Tie-Rod Hardened Clevis Rod Ends

With 1" Pin Part # 14902504

Weed-Guard With 1-1/4" Pin Part # 14904725

Seal Kit Part # 14902517

Old Style Tie-Rod Tilt & Push-Off Cylinders

[Back](#)

You must verify with the customer what cylinder they have

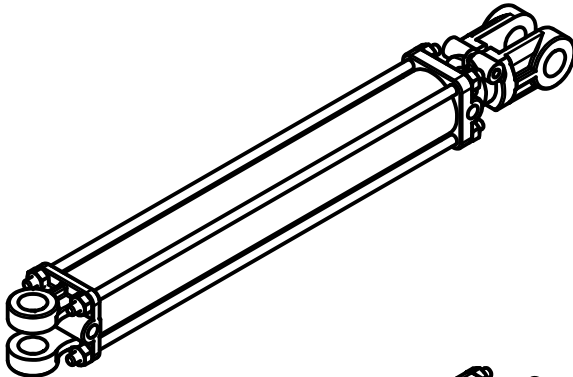
[Home](#)

Tie-Rod Tilt Cylinders

3 X 10 X 1-1/2 (13" Tube) Part # 14901895

3 X 11-1/2 X 1-1/2 (14-1/2" Tube) Part # 14904124

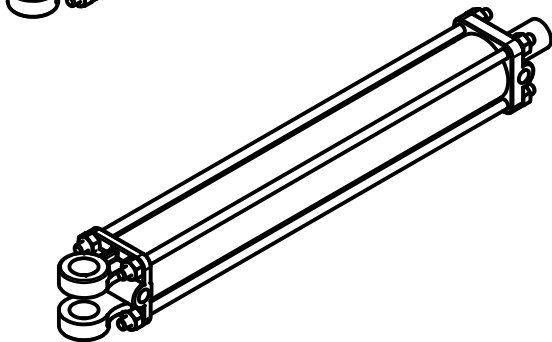
(14904124 has a 1" base pin and comes
with the 14904725 Weed-Guard Rod end)



Tie-Rod Push-Off Cylinders

3 X 10 X 1-1/2 (13" Tube) Part # 14901896

3 X 11-1/2 X 1-1/2 (14-1/2" Tube) Part # 14904125



Tie-Rod Hardened Clevis Rod Ends

With 1" Pin Part # 14902504

Weed-Guard With 1-1/4" Pin Part # 14904725

Seal Kit Part # 14902517

Old Style Tie-Rod Tilt & Push-Off Cylinders

[Back](#)

You must verify with the customer what cylinder they have

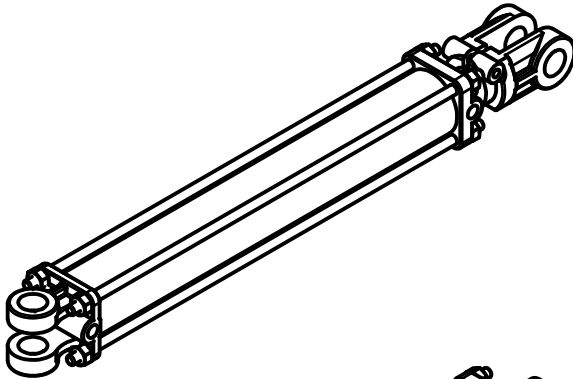
[Home](#)

Tie-Rod Tilt Cylinders

3 X 10 X 1-1/2 (13" Tube) Part # 14901895

3 X 11-1/2 X 1-1/2 (14-1/2" Tube) Part # 14904124

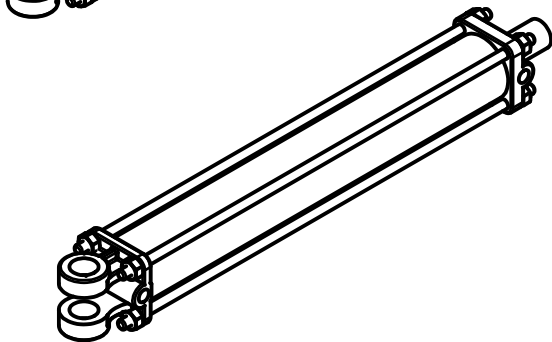
(14904124 has a 1" base pin and comes
with the 14904725 Weed-Guard Rod end)



Tie-Rod Push-Off Cylinders

3 X 10 X 1-1/2 (13" Tube) Part # 14901896

3 X 11-1/2 X 1-1/2 (14-1/2" Tube) Part # 14904125



Tie-Rod Hardened Clevis Rod Ends

With 1" Pin Part # 14902504

Weed-Guard With 1-1/4" Pin Part # 14904725

Seal Kit Part # 14902517

Old Style Tie-Rod Tilt & Push-Off Cylinders

[Back](#)

You must verify with the customer what cylinder they have

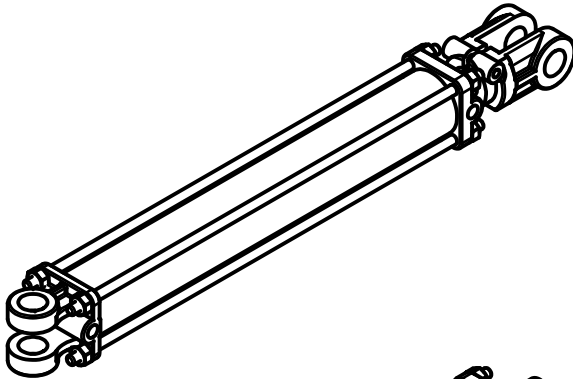
[Home](#)

Tie-Rod Tilt Cylinders

3 X 10 X 1-1/2 (13" Tube) Part # 14901895

3 X 11-1/2 X 1-1/2 (14-1/2" Tube) Part # 14904124

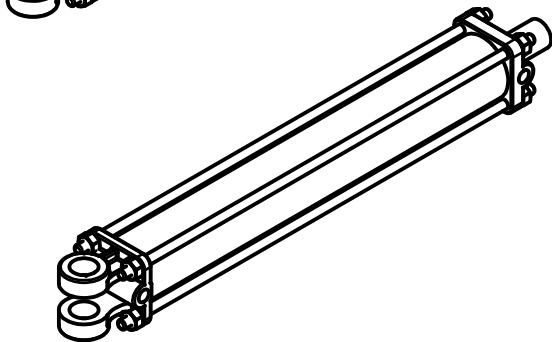
(14904124 has a 1" base pin and comes
with the 14904725 Weed-Guard Rod end)



Tie-Rod Push-Off Cylinders

3 X 10 X 1-1/2 (13" Tube) Part # 14901896

3 X 11-1/2 X 1-1/2 (14-1/2" Tube) Part # 14904125



Tie-Rod Hardened Clevis Rod Ends

With 1" Pin Part # 14902504

Weed-Guard With 1-1/4" Pin Part # 14904725

Seal Kit Part # 14902517

Old style (Ball End) Lift Cylinders

[Back](#)

[Home](#)

3 X 30 Main Lift Cylinders

400 Series W/Cushion (No prox switches)....Part # 1430101

400 Series W/O Cushion (Prox switches).....Part # 1430201

500 Series for S/N 479 & Earlier.....Part # 5530201

Seal Kit Part # 14905019

Ball End Sockets for Cylinders

3-1/8" Ball Joint W/Spotface (For Rod End).....Part # 14905193

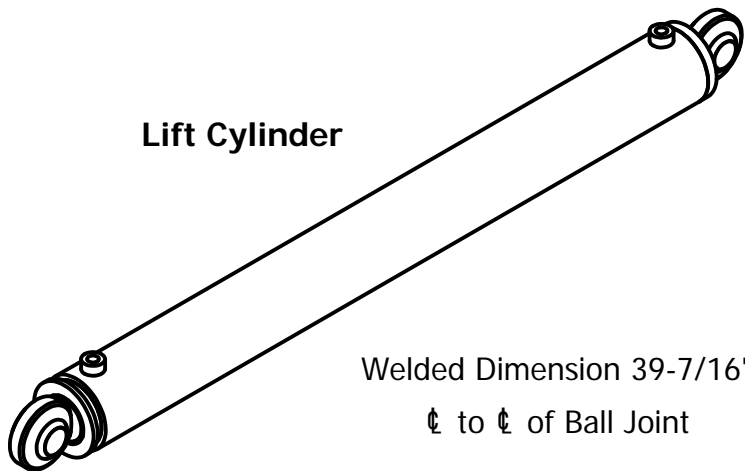
Steel Ring Base that welds around the Rod.....Part # 14901678

3-1/8" Ball Joint W/O Spotface (For Base End)..Part # 14905152

Cylinder Stops

2 X 1-1/4 Aluminum Stop Bushing (Lift Cyl).....Part # 14904676

1-1/4 X 3/4 Aluminum Stop Bushing (Tilt Cyl).....Part # 14905101



Lift Cylinder

Welded Dimension 39-7/16"

⌀ to ⌀ of Ball Joint

Old style (Ball End) Lift Cylinders

[Back](#)

[Home](#)

3 X 30 Main Lift Cylinders

400 Series W/Cushion (No prox switches)....Part # 1430101

400 Series W/O Cushion (Prox switches).....Part # 1430201

500 Series for S/N 479 & Earlier.....Part # 5530201

Seal Kit Part # 14905019

Ball End Sockets for Cylinders

3-1/8" Ball Joint W/Spotface (For Rod End).....Part # 14905193

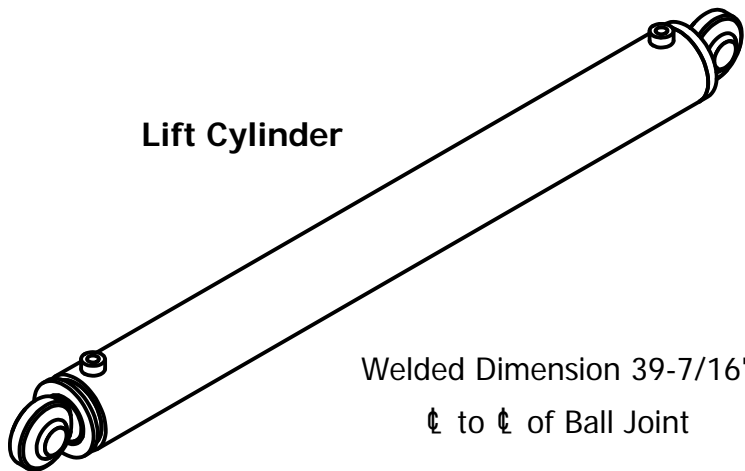
Steel Ring Base that welds around the Rod.....Part # 14901678

3-1/8" Ball Joint W/O Spotface (For Base End)..Part # 14905152

Cylinder Stops

2 X 1-1/4 Aluminum Stop Bushing (Lift Cyl).....Part # 14904676

1-1/4 X 3/4 Aluminum Stop Bushing (Tilt Cyl).....Part # 14905101



Lift Cylinder

Welded Dimension 39-7/16"

⌀ to ⌀ of Ball Joint

Old style (Ball End) Lift Cylinders

[Back](#)

[Home](#)

3 X 30 Main Lift Cylinders

400 Series W/Cushion (No prox switches)....Part # 1430101

400 Series W/O Cushion (Prox switches).....Part # 1430201

500 Series for S/N 479 & Earlier.....Part # 5530201

Seal Kit Part # 14905019

Ball End Sockets for Cylinders

3-1/8" Ball Joint W/Spotface (For Rod End).....Part # 14905193

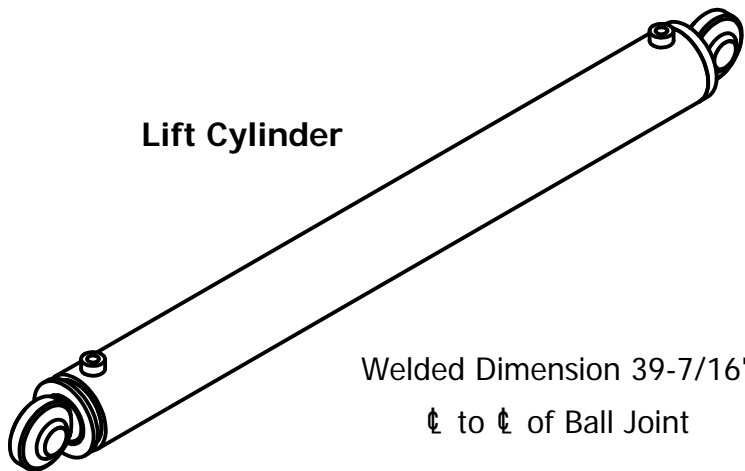
Steel Ring Base that welds around the Rod.....Part # 14901678

3-1/8" Ball Joint W/O Spotface (For Base End)..Part # 14905152

Cylinder Stops

2 X 1-1/4 Aluminum Stop Bushing (Lift Cyl).....Part # 14904676

1-1/4 X 3/4 Aluminum Stop Bushing (Tilt Cyl).....Part # 14905101



Lift Cylinder

Welded Dimension 39-7/16"

⌀ to ⌀ of Ball Joint

Old style (Ball End) Lift Cylinders

[Back](#)

[Home](#)

3 X 30 Main Lift Cylinders

400 Series W/Cushion (No prox switches)....Part # 1430101

400 Series W/O Cushion (Prox switches).....Part # 1430201

500 Series for S/N 479 & Earlier.....Part # 5530201

Seal Kit Part # 14905019

Ball End Sockets for Cylinders

3-1/8" Ball Joint W/Spotface (For Rod End).....Part # 14905193

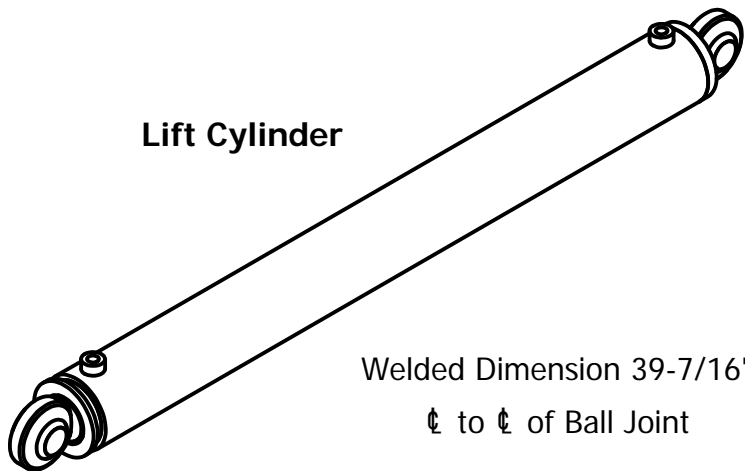
Steel Ring Base that welds around the Rod.....Part # 14901678

3-1/8" Ball Joint W/O Spotface (For Base End)..Part # 14905152

Cylinder Stops

2 X 1-1/4 Aluminum Stop Bushing (Lift Cyl).....Part # 14904676

1-1/4 X 3/4 Aluminum Stop Bushing (Tilt Cyl).....Part # 14905101



Lift Cylinder

Welded Dimension 39-7/16"

⌀ to ⌀ of Ball Joint
